



Chipsmall Limited consists of a professional team with an average of over 10 year of expertise in the distribution of electronic components. Based in Hongkong, we have already established firm and mutual-benefit business relationships with customers from,Europe,America and south Asia,supplying obsolete and hard-to-find components to meet their specific needs.

With the principle of “Quality Parts,Customers Priority,Honest Operation,and Considerate Service”,our business mainly focus on the distribution of electronic components. Line cards we deal with include Microchip,ALPS,ROHM,Xilinx,Pulse,ON,Everlight and Freescale. Main products comprise IC,Modules,Potentiometer,IC Socket,Relay,Connector.Our parts cover such applications as commercial,industrial, and automotives areas.

We are looking forward to setting up business relationship with you and hope to provide you with the best service and solution. Let us make a better world for our industry!



Contact us

Tel: +86-755-8981 8866 Fax: +86-755-8427 6832

Email & Skype: info@chipsmall.com Web: www.chipsmall.com

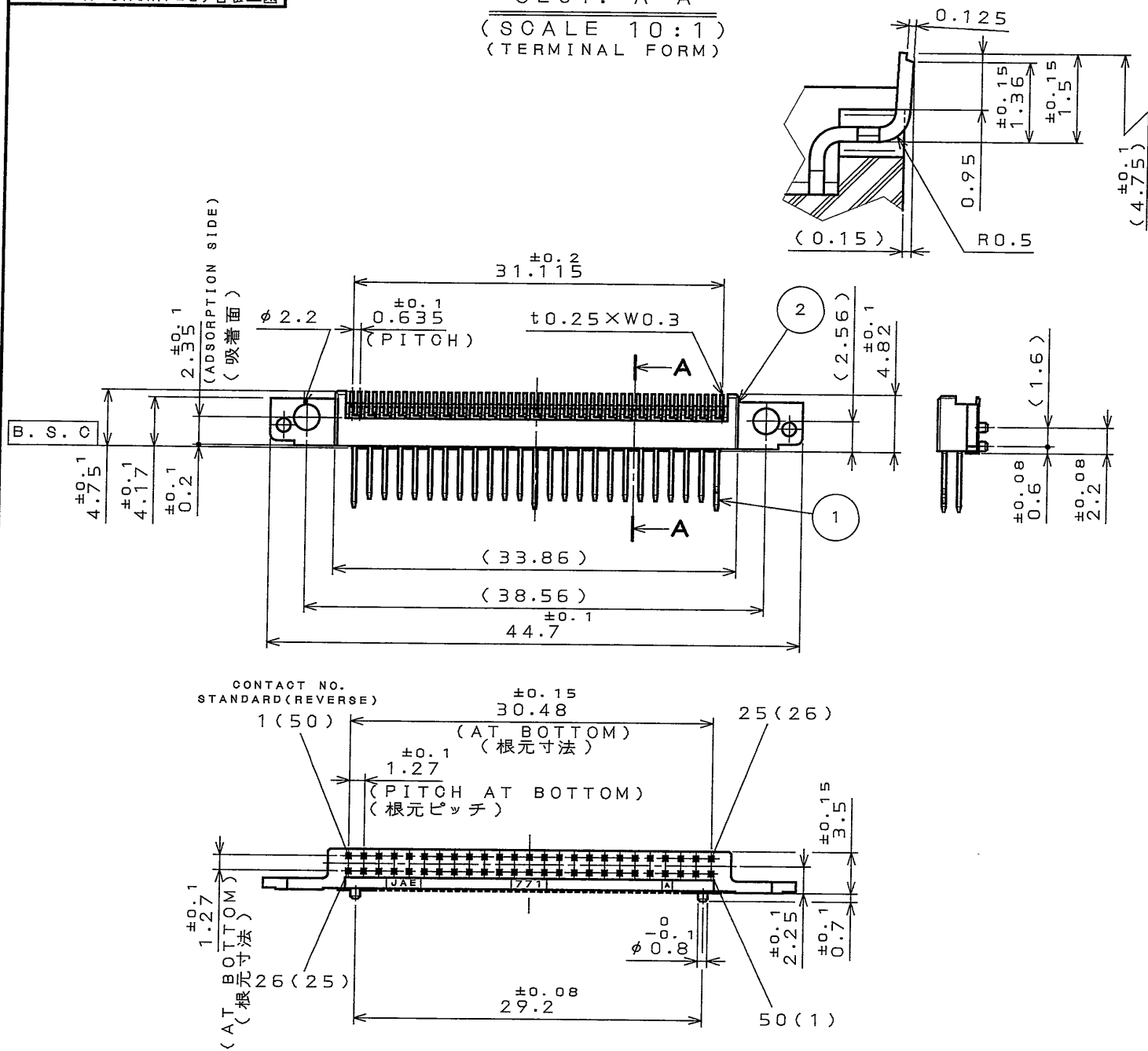
Address: A1208, Overseas Decoration Building, #122 Zhenhua RD., Futian, Shenzhen, China



0606E0PS

('ON 0NIMVAVD)号要里図

SECT. A-A
(SCALE 10:1)
(TERMINAL FORM)



版数 REV.	年月日 DATE	DCN NO.	変更内容 DESCRIPTION	製図 DR.	担当 CHK.	査閲 APPD.	承認 APPD.

TABLE 1

CONTACT NUMBER 端子番号	TERMINAL LENGTH 端子長
1, 13, 38, 50	5
25, 26	3.5
OTHERS 他	4.25

TABLE 2

MOUNTING SIDE 実装面	CONTACT NUMBER 端子番号	P. C. B (MOUNTING SIDE) 基板(部品搭載面)	COUNTERPART FRAME 相手側フレーム
STANDARD スタンダード	1, 25, 26, 50	1, 25, 26, 50	JC26E-***E
REVERSE リバース	1, 25, 26, 50	50, 25, 26, 1	JC26E-***E

DESIGNATION

命名法

JC26E-BB*E

SERIES
シリーズ

BASE
ベース

(LEAD FREE)TIN/TIN ALLOY
錫または錫合金(無鉛)

CODE OF STAND OFF(スタンドオフコード)
NONE: 0mm
13 : 1.3mm

POSITIONING BOSS TYPE(位置決めボス有無)
B: WITH POSITIONING BOSS(ボス有)
N: WITHOUT POSITIONING BOSS(ボス無)

- NOTE 1. THIS PRODUCTS ARE DESIGNED IN ACCORDANCE WITH COMPACT FLASH ASSOCIATION.
2. COPLANALITY OF SMT TERMINAL IS 0.1 MAX.
3. PLEASE REFER TO TABLE 1 FOR TERMINAL LENGTH.
4. PLEASE REFER TO TABLE 2 FOR CONTACT NUMBER.
5. THIS CONNECTOR MATES WITH JC26E-***E.
6. PLEASE REFER TO JAHL-1504-24 FOR USING THIS PRODUCT.

1. 本品は、コンパクトフラッシュ アソシエーションに準拠する。
2. 端子のバラツキ0.1以下。
3. 端子長寸法は、表1を参照願います。
4. 端子番号は、表2を参照して下さい。
5. 本品は、JC26E-***Eと組み合わせて使用する。
6. 本品を御使用時は、取扱説明書(JAHL-1504-24)を御参照下さい。

2	INSULATOR	1	GLASS FILLED PPS	COLOR: IVORY UL94 V-0
1	CONTACT	50	COPPER ALLOY	TERMINAL AREA: (LEAD FREE)TIN/TIN ALLOY
符号 NO.	名称 DESCRIPTION	個数 QTY.	材料 MATERIAL	仕上 FINISH
仕様書(SPECIFICATION) JACS-1504-24 JAHL-1504-24	第1版(ORIGINAL DATE) 5.Sep.2003	尺度(SCALE) 2:1	仕上 FINISH JC26E	備考 REMARKS 日本航空電子工業株式会社 JAPAN AVIATION ELECTRONICS INDUSTRY, LTD.
公差(GENERAL TOLERANCE) 寸法(DIMENSION)	角度(ANGLES)	製図 DR. M.TANAKA	担当 CHK. T.WADA	名称(TITLE) JC26E-BBE
. ±0.8	×° ±	査閲 APPD. M. Sasaki	承認 APPD. A. Kimura	
.X ±0.4	×° ±	重量(WEIGHT)	図面番号(DRAWING NO.) SJ039090	
.XX ±0.1				版数 (REV.) 1
.XXX ±				

LEAD FREE この製品は鉛フリー品です

JAE CONNECTOR DIV. PROPRIETARY.
COPYRIGHT (C) 2003. JAPAN AVIATION ELECTRONICS INDUSTRY, LTD.

DOF-0-212D(98.02)

ODS-03-199-50088

SIZE A3