



Chipsmall Limited consists of a professional team with an average of over 10 year of expertise in the distribution of electronic components. Based in Hongkong, we have already established firm and mutual-benefit business relationships with customers from,Europe,America and south Asia,supplying obsolete and hard-to-find components to meet their specific needs.

With the principle of “Quality Parts,Customers Priority,Honest Operation,and Considerate Service”,our business mainly focus on the distribution of electronic components. Line cards we deal with include Microchip,ALPS,ROHM,Xilinx,Pulse,ON,Everlight and Freescale. Main products comprise IC,Modules,Potentiometer,IC Socket,Relay,Connector.Our parts cover such applications as commercial,industrial, and automotives areas.

We are looking forward to setting up business relationship with you and hope to provide you with the best service and solution. Let us make a better world for our industry!



Contact us

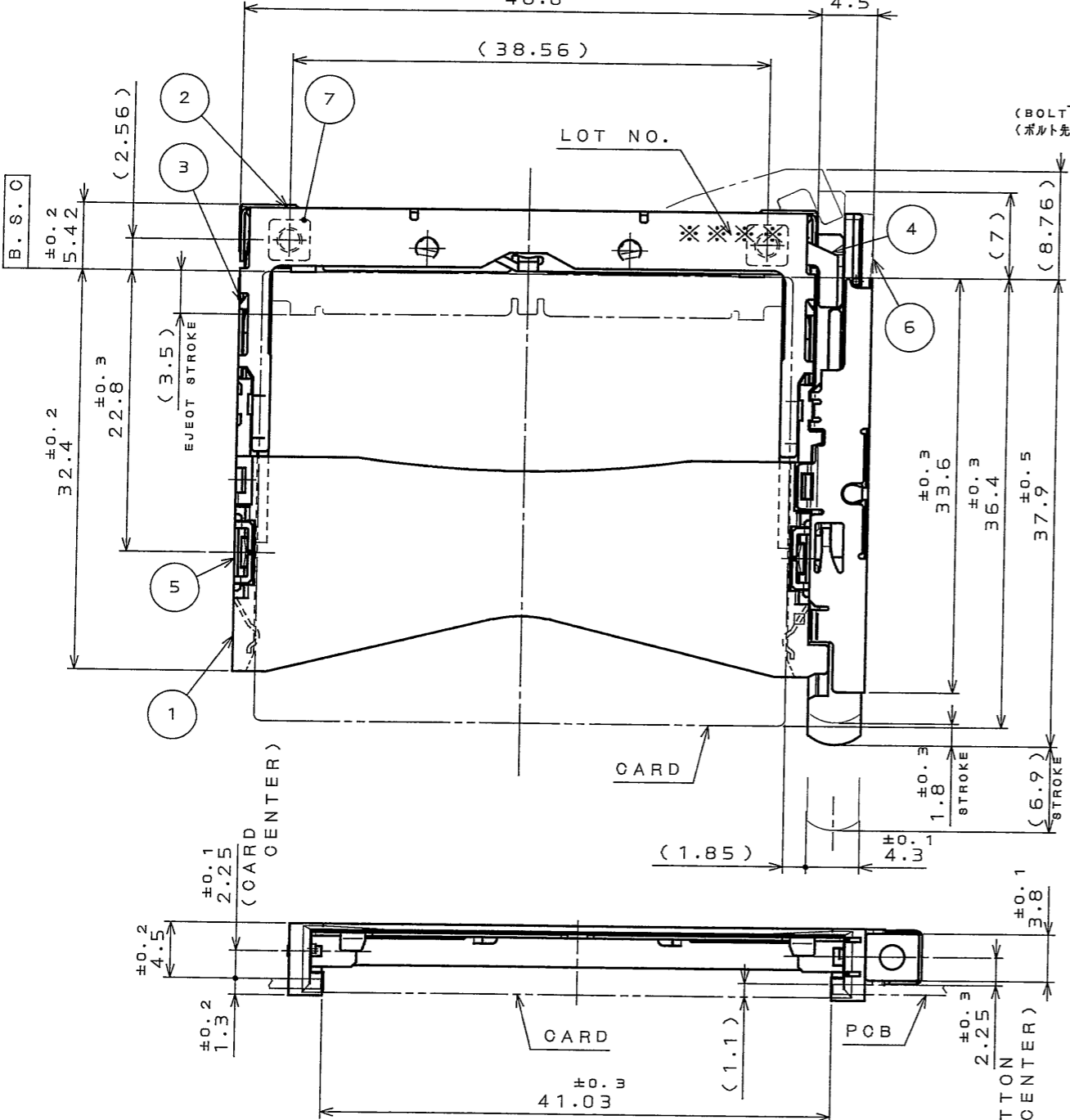
Tel: +86-755-8981 8866 Fax: +86-755-8427 6832

Email & Skype: info@chipsmall.com Web: www.chipsmall.com

Address: A1208, Overseas Decoration Building, #122 Zhenhua RD., Futian, Shenzhen, China



SJ039083
(DRAWING NO.)

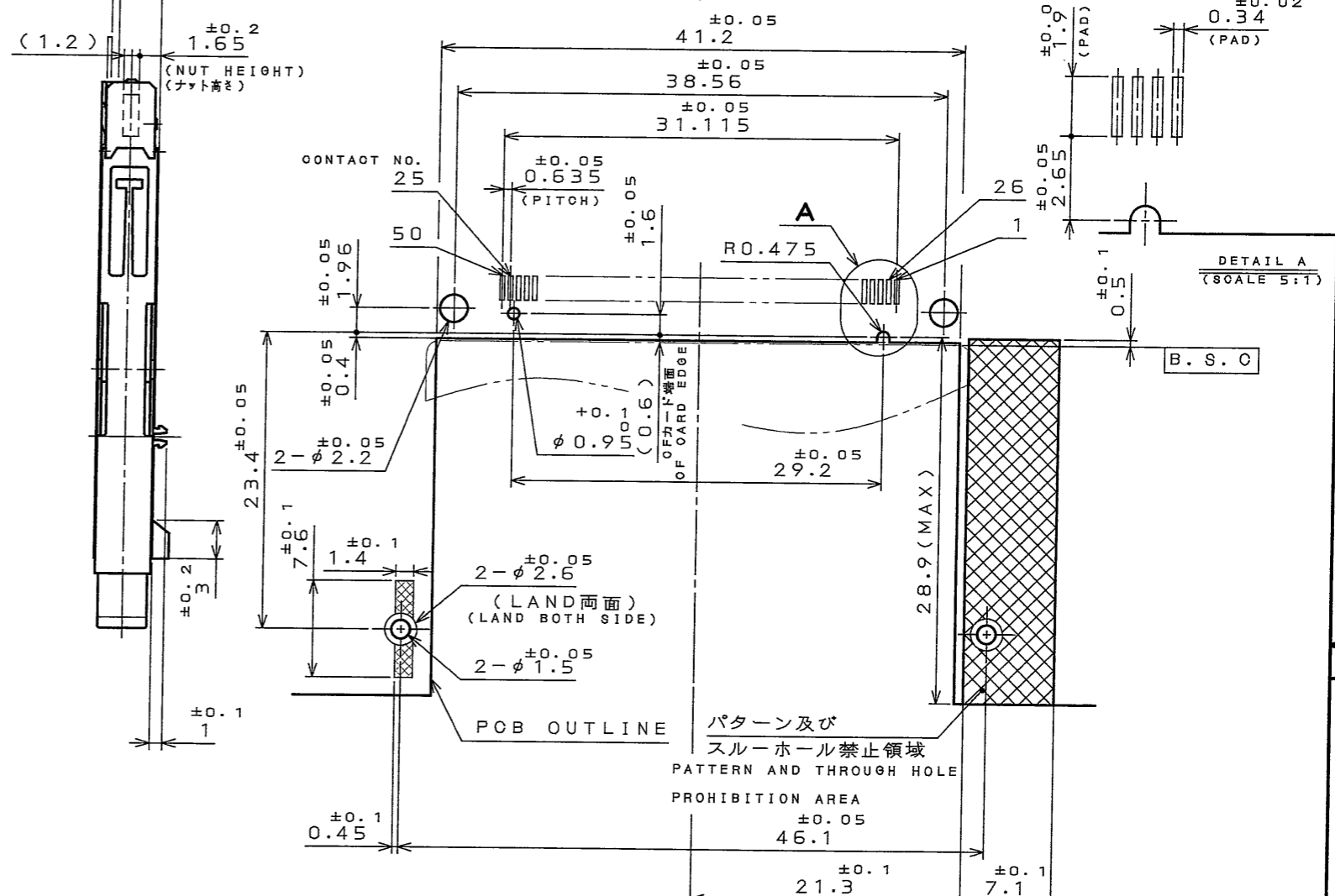


NOTE 1. THIS PRODUCTS ARE DESIGNED IN ACCORDANCE WITH COMPACT FLASH ASSOCIATION.
 2. PLEASE REFER TO JAHL-1504-24 FOR USING THIS PRODUCT.
 3. THIS CONNECTOR MATES WITH JC26E-BBE.
 1. 本品は、コンパクトフラッシュ アソシエーションに準拠する。
 2. 本品を御使用時は、取扱説明書 (JAHL-1504-24) を御参照下さい。
 3. 本品は、JC26E-BBEと組み合わせて使用する。

JC26E-DRL※E
 (LEAD FREE) TIN/TIN ALLOY
 錫または銅合金 (無鉛)
 B: BASE
 F: FRAME
 D: DOUBLE PUSH TYPE FRAME
 KEY S: STANDARD
 R: REVERSE
 BUTTON R: RIGHT
 L: LEFT
 STAND OFF NONE: 0mm
 13: 1.3mm

版数 REV.	年月日 DATE	DCN NO.	変更内容 DESCRIPTION	製図 DR.	担当 CHK.	査閲 APPD.	承認 APPD.

APPLICABLE P.C.B. DIMENSION (REF.)
 適合基板寸法 (参考)



符号 NO.	名 DESCRIPTION	個数 QTY.	材 料 MATERIAL	仕 上 備 考 FINISH REMARKS
7	NUT	2	STEEL	NI PLATING M2
6	EJECT UNIT	1		
5	EARTH LUG	2	COPPER ALLOY	CONTACT AREA: NICKEL TERMINAL AREA: (LEAD FREE) TIN/TIN ALLOY OVER NICKEL PLATING
4	LEVER	1	STAINLESS STEEL	
3	PLATE	1	STAINLESS STEEL	
2	COVER	1	STAINLESS STEEL	
1	FRAME	1	GLASS FILLED PBT	COLOR: BLACK UL94 V-0

仕様書 (SPECIFICATION) JACS-1504-24 JAHL-1504-24	第1版 (ORIGINAL DATE) 5.Sep.2003	尺 寸 (SCALE) 2:1	仕 上 備 考 JC26E
製 図 DR. M.TANAKA	担 当 CHK. T.WADA	名 称 (TITLE) JC26E-DRLE	日 本 航 空 電 子 工 業 株 式 有 限 公 司 JAPAN AVIATION ELECTRONICS INDUSTRY, LTD.
一 般 公 差 (GENERAL TOLERANCE) 寸 法 (DIMENSION) 角 度 (ANGLES)	査 閲 APPD. 承認 APPD. A. Kimura	重 量 (WEIGHT)	図 面 番 号 (DRAWING NO.) SJ039083
・ ±0.8 ・ X ±0.4 ・ XX ±0.1 ・ XXX ±	・ X° ± ・ XX° ±		版 数 (REV.) 1

LEAD FREE この製品は鉛フリー品です

JAE CONNECTOR DIV. PROPRIETARY.
 COPYRIGHT (C) 2003, JAPAN AVIATION ELECTRONICS INDUSTRY, LTD.

DOF-0-212D(98.02)

CDS-03-199-50088
 SIZE A3