



Chipsmall Limited consists of a professional team with an average of over 10 year of expertise in the distribution of electronic components. Based in Hongkong, we have already established firm and mutual-benefit business relationships with customers from,Europe,America and south Asia,supplying obsolete and hard-to-find components to meet their specific needs.

With the principle of “Quality Parts,Customers Priority,Honest Operation,and Considerate Service”,our business mainly focus on the distribution of electronic components. Line cards we deal with include Microchip,ALPS,ROHM,Xilinx,Pulse,ON,Everlight and Freescale. Main products comprise IC,Modules,Potentiometer,IC Socket,Relay,Connector.Our parts cover such applications as commercial,industrial, and automotives areas.

We are looking forward to setting up business relationship with you and hope to provide you with the best service and solution. Let us make a better world for our industry!



Contact us

Tel: +86-755-8981 8866 Fax: +86-755-8427 6832

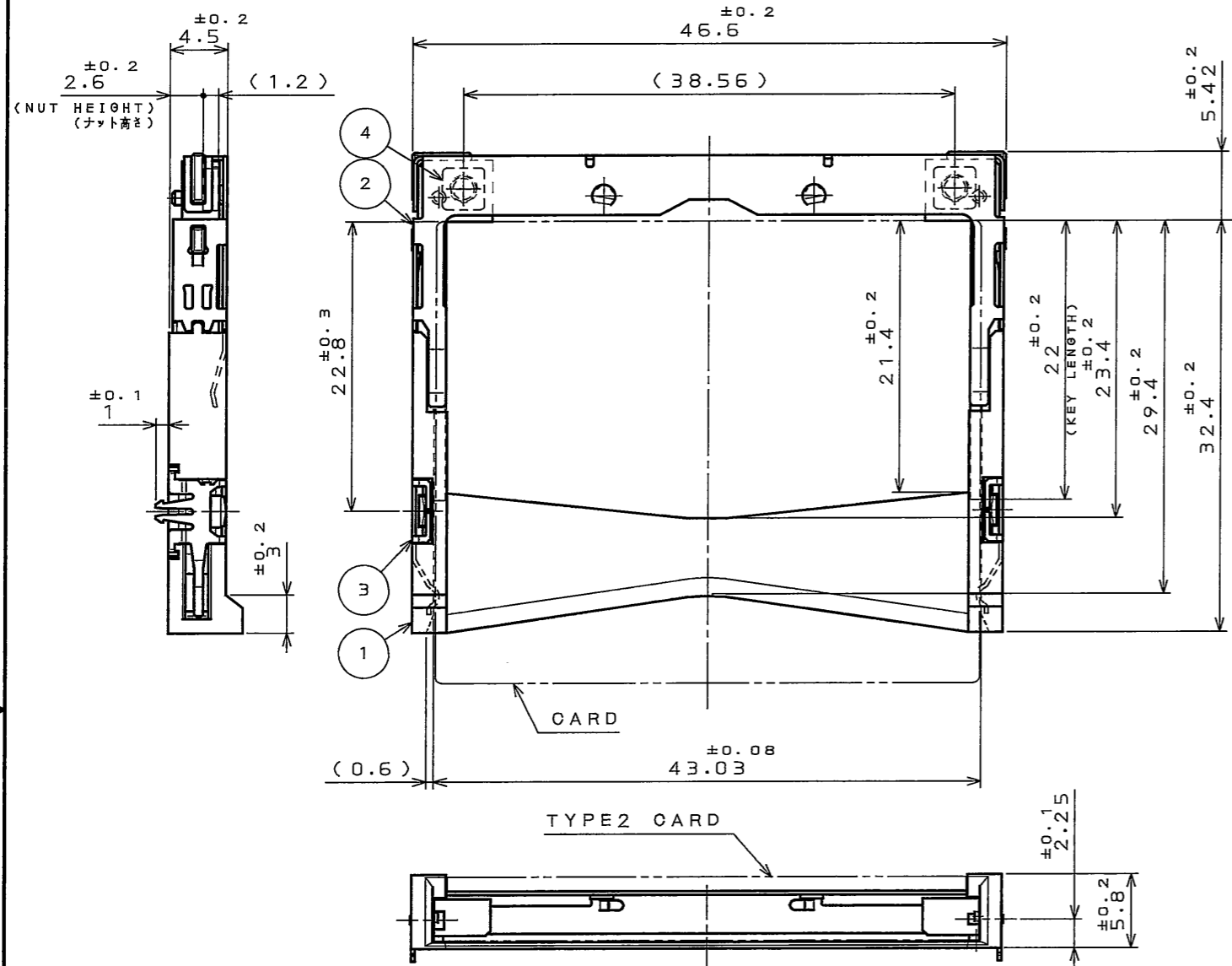
Email & Skype: info@chipsmall.com Web: www.chipsmall.com

Address: A1208, Overseas Decoration Building, #122 Zhenhua RD., Futian, Shenzhen, China

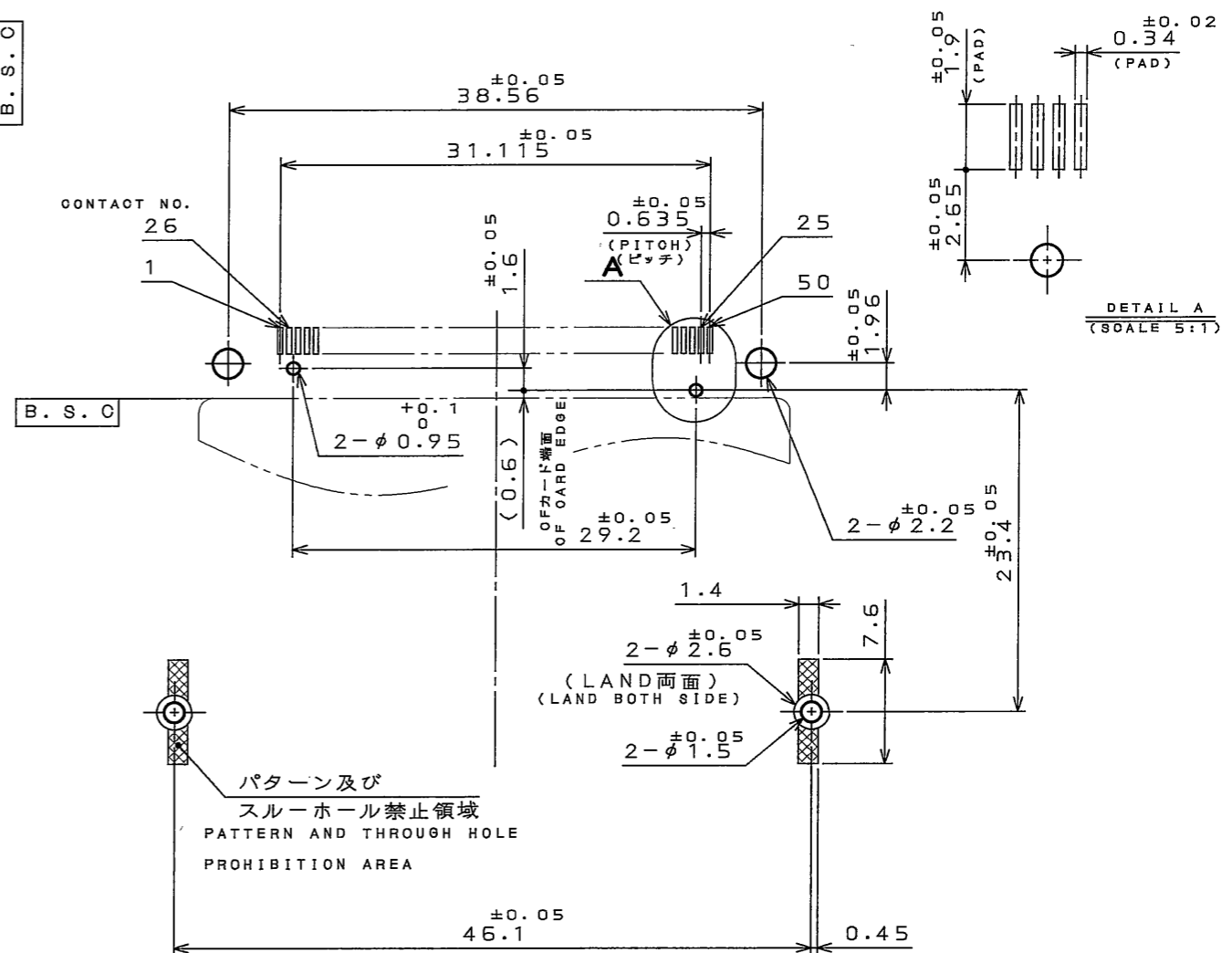


02120120
(ON 02120120) (DRAWING NO.)

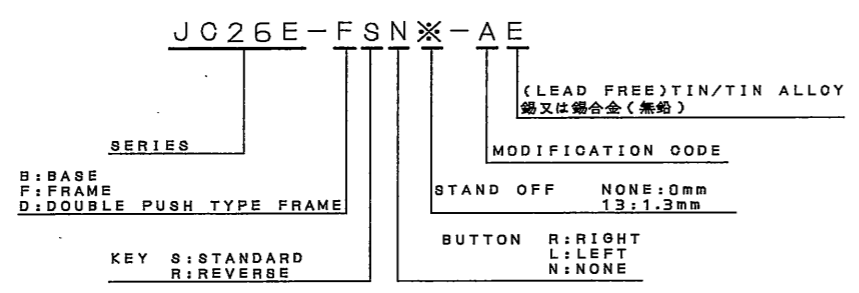
版数 REV.	年月日 DATE	DGN NO.	変更内容 DESCRIPTION	製図 DR.	担当 CHK.	査閲 APPD.	承認 APPD.



APPLICABLE P.C.B. DIMENSION (REF.)
適合基板寸法 (参考)



- NOTE 1. THIS PRODUCTS ARE DESIGNED IN ACCORDANCE WITH COMPACT FLASH ASSOCIATION.
 2. PLEASE REFER TO JAHL-1504-24 FOR USING THIS PRODUCT.
 3. THIS CONNECTOR MATES WITH JC26E-BBE.
 1. 本品は、コンパクトフラッシュ アソシエーションに準拠する。
 2. 本品を御使用時は、取扱説明書 (JAHL-1504-24) を御参照下さい。
 3. 本品は、JC26E-BBE と組み合わせて使用する。



4	NUT	2	STEEL	NI PLATING	M2
3	EARTH LUG	2	COPPER ALLOY	CONTACT AREA: NICKEL	TERMINAL AREA: (LEAD FREE) TIN/TIN ALLOY OVER NICKEL
2	COVER	1	STAINLESS STEEL		
1	FRAME	1	GLASS FILLED PBT		COLOR: BLACK UL94 V-0
符号 NO.	名称 DESCRIPTION	個数 QTY.	材料 MATERIAL	仕上 FINISH	備考 REMARKS
仕様書 (SPECIFICATION) JACS-1504-24 JAHL-1504-24		第1版 (ORIGINAL DATE) 29.Sep.2004		尺度 (SCALE) 2:1	シリーズ (SERIES) JC26E
公差 (GENERAL TOLERANCE)		製図 DR. E.MURANO		名称 (TITLE) JC26E-FSN-AE	
寸法 (DIMENSION)		担当 CHK. T.WADA			
角度 (ANGLES)		査閲 APPD. M. Sasaki			
. ±0.8 .X ±0.4 .XX ±0.1 .XXX ±		承認 APPD. A. Kimura			
		質量 (MASS)		日本航空電子工業株式会社 JAPAN AVIATION ELECTRONICS INDUSTRY, LTD.	
					図面番号 (DRAWING NO.) SJ102120
					版数 (REV.) 1

LEAD FREE この製品は鉛フリー品です

DOF-0-212E(03.08)

