



Chipsmall Limited consists of a professional team with an average of over 10 year of expertise in the distribution of electronic components. Based in Hongkong, we have already established firm and mutual-benefit business relationships with customers from,Europe,America and south Asia,supplying obsolete and hard-to-find components to meet their specific needs.

With the principle of "Quality Parts,Customers Priority,Honest Operation,and Considerate Service",our business mainly focus on the distribution of electronic components. Line cards we deal with include Microchip,ALPS,ROHM,Xilinx,Pulse,ON,Everlight and Freescale. Main products comprise IC,Modules,Potentiometer,IC Socket,Relay,Connector.Our parts cover such applications as commercial,industrial, and automotives areas.

We are looking forward to setting up business relationship with you and hope to provide you with the best service and solution. Let us make a better world for our industry!



Contact us

Tel: +86-755-8981 8866 Fax: +86-755-8427 6832

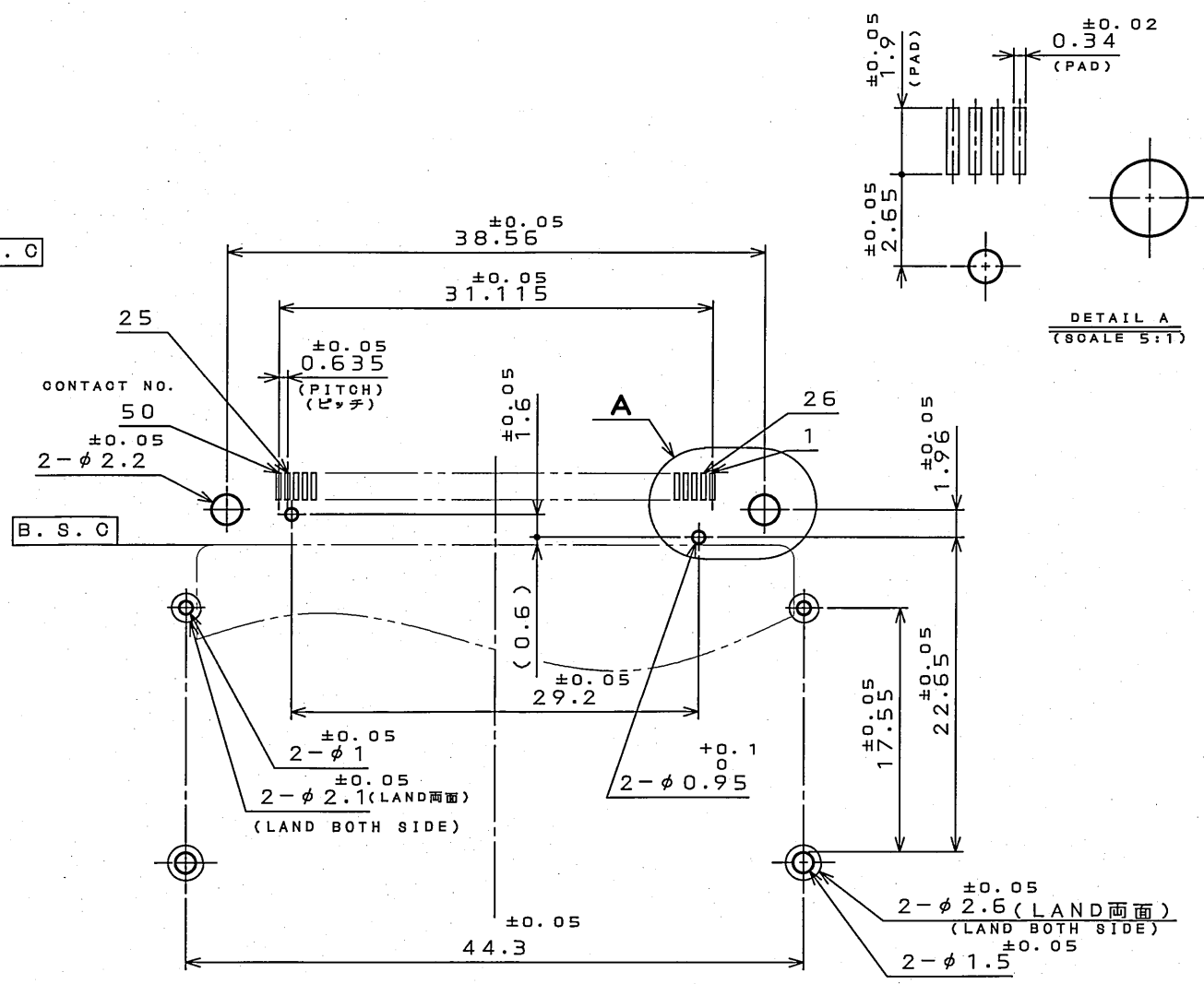
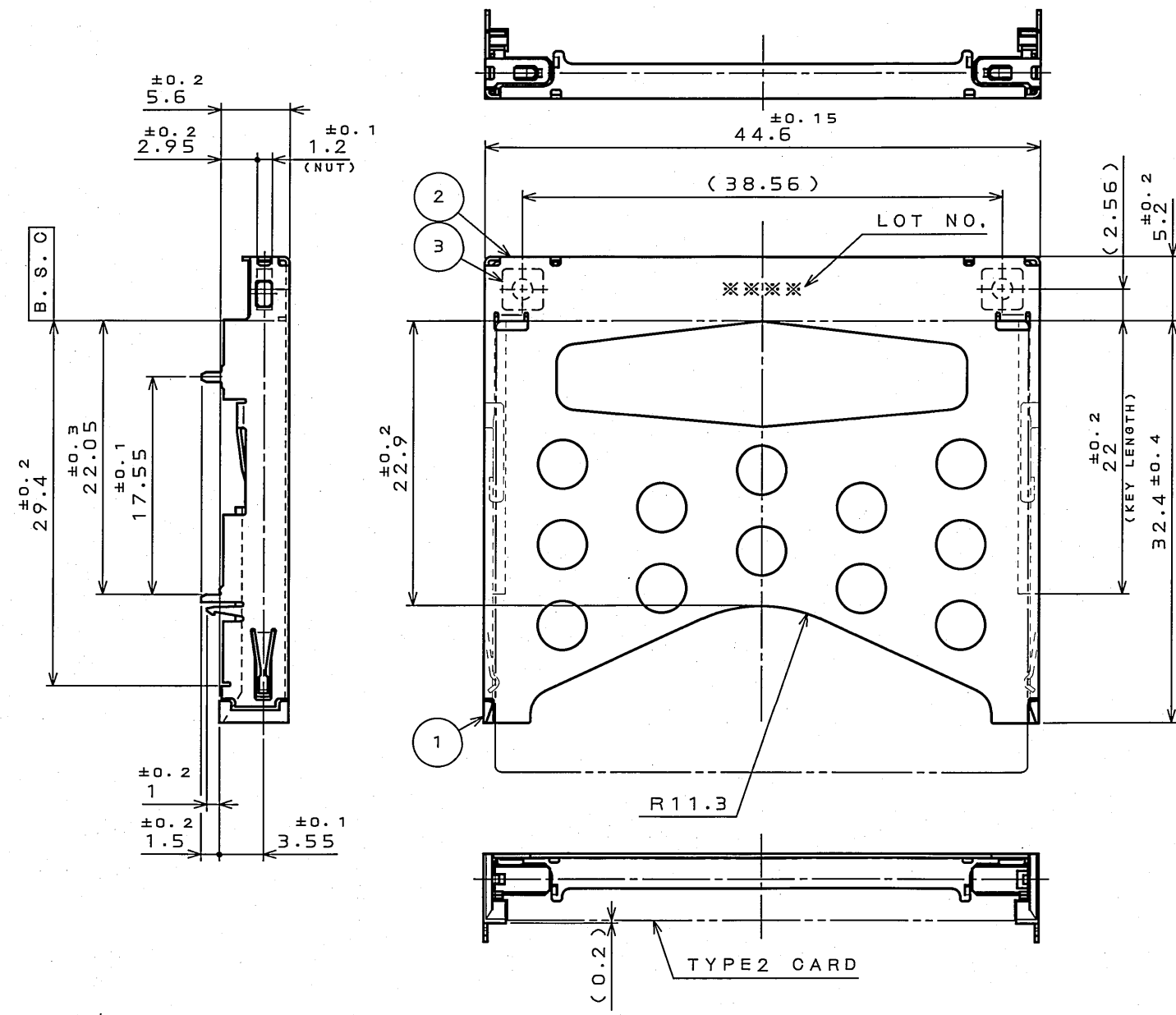
Email & Skype: info@chipsmall.com Web: www.chipsmall.com

Address: A1208, Overseas Decoration Building, #122 Zhenhua RD., Futian, Shenzhen, China



8869E09S
(ON DRAWING) 台架図

版数 REV.	年月日 DATE	DCN NO.	変更内容 DESCRIPTION	製図 DR.	担当 CHK.	査閲 APPD.	承認 APPD.
2	2.Nov.2004	056086	CORRECT AN ERROR ETC.	H.KAMATA	T.WADA	M. Sasaki	A. Kimura

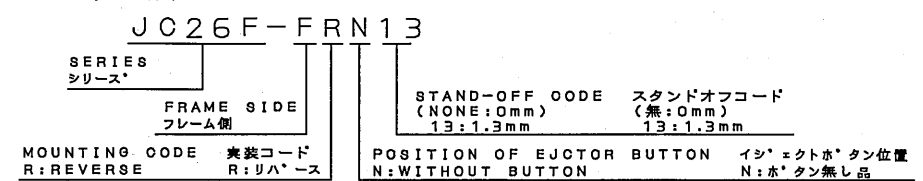


DETAIL A
(SCALE 5:1)

APPLICABLE P.C.B. DIMENSION (REF.)
適合基板寸法 (参考)

- NOTE 1. THIS PRODUCTS ARE DESIGNED IN ACCORDANCE WITH COMPACT FLASH ASSOCIATION.
2. PLEASE REFER TO JAHL-1504-26 FOR USING THIS PRODUCT.
△ 3. THIS CONNECTOR MATES WITH JC26E-BB13 (SJ036950) OR JC26E-BB13E (SJ039091).
1. 本品は、コンパクトフラッシュ アソシエーションに準拠する。
2. 本品を御使用時は、取扱説明書 (JAHL-1504-26) を御参照下さい。
△ 3. 本品は、JC26E-BB13 (SJ036950) または JC26E-BB13E (SJ039091) と組み合わせて使用する。

DESIGNATION
命名法



符号 NO.	名称 DESCRIPTION	個数 QTY.	材料 MATERIAL	仕上 FINISH	備考 REMARKS
3	NUT	2	STEEL	NI PLATING	M2
2	COVER	1	STAINLESS STEEL	(LEAD FREE) TIN/TIN ALLOY OVER NICKEL	△
1	FRAME	2	GLASS FILLED LCP		COLOR: BLACK UL94 V-0
仕様書 (SPECIFICATION) JACS-1504-26 JAHL-1504-26		第1版 (ORIGINAL DATE) 20.Sep.2002		尺度 (SCALE) 2:1	シリーズ (SERIES) JC26F
公差 (GENERAL TOLERANCE)		製図 DR. S.MURAMOTO		名称 (TITLE) JC26F-FRN13	
寸法 (DIMENSION)	角度 (ANGLES)	担当 CHK. T.WADA		図面番号 (DRAWING NO.) SJ036988	
±0.8	° ±	査閲 APPD.		版数 (REV.) 2	
.X ±0.4	°X ±	承認 APPD. S.KASHIWAGI		質量 (MASS)	
.XX ±0.1					
.XXX ±					

LEAD FREE この製品は鉛フリー品です

DOF-0-212E(03.08)

