



Chipsmall Limited consists of a professional team with an average of over 10 year of expertise in the distribution of electronic components. Based in Hongkong, we have already established firm and mutual-benefit business relationships with customers from,Europe,America and south Asia,supplying obsolete and hard-to-find components to meet their specific needs.

With the principle of "Quality Parts,Customers Priority,Honest Operation,and Considerate Service",our business mainly focus on the distribution of electronic components. Line cards we deal with include Microchip,ALPS,ROHM,Xilinx,Pulse,ON,Everlight and Freescale. Main products comprise IC,Modules,Potentiometer,IC Socket,Relay,Connector.Our parts cover such applications as commercial,industrial, and automotives areas.

We are looking forward to setting up business relationship with you and hope to provide you with the best service and solution. Let us make a better world for our industry!



Contact us

Tel: +86-755-8981 8866 Fax: +86-755-8427 6832

Email & Skype: info@chipsmall.com Web: www.chipsmall.com

Address: A1208, Overseas Decoration Building, #122 Zhenhua RD., Futian, Shenzhen, China



THIS DRAWING IS UNPUBLISHED. RELEASED FOR PUBLICATION
 © COPYRIGHT - By - ALL RIGHTS RESERVED.

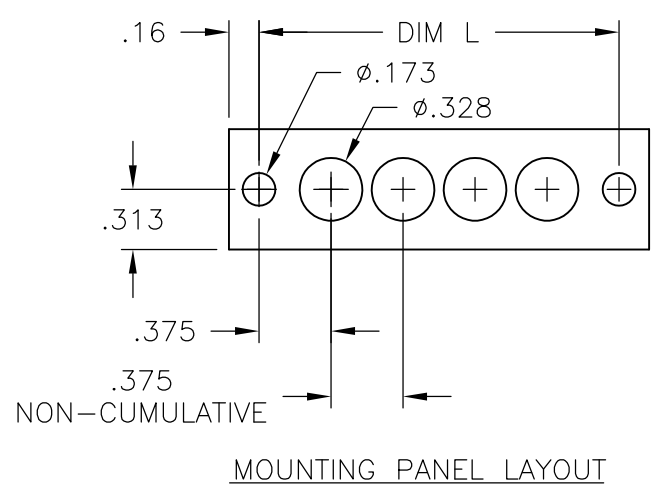
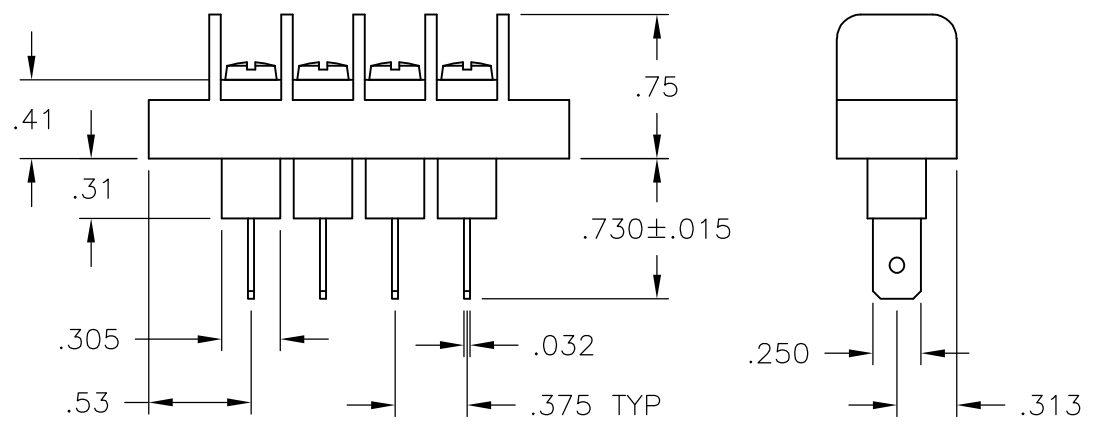
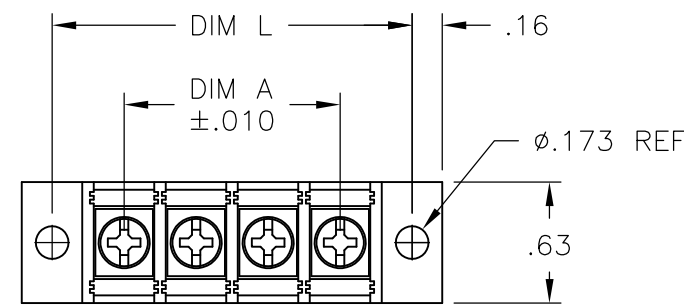
LOC	DIST	REVISIONS			
P	LTR	DESCRIPTION	DATE	DWN	APVD
	G4	REVISED PER ECO-11-004917	11MAR11	RK	HMR

MATERIAL:
 HOUSING: THERMOPLASTIC, UL94V-0, BLACK.
 TERMINALS: BRIGHT TIN OVER COPPER ALLOY.
 SCREWS: #6-32 STEEL, ZINC PLATING W/ CLEAR CHROMATE.(UNLESS OTHERWISE STATED.)
 PITCH (TERMINAL SPACING): .375"

ELECTRICAL:
 RATED CURRENT UL/CSA:
 CLASS C: 20A, 300V
 CLASS D: 5A, 600V
 WIRE RANGE: 12-22 AWG

MECHANICAL:
 RECOMMENDED TORQUE: 7 IN-LB
 OPERATING TEMP.: 105°C MAX

- ① SCREWS ARE STAINLESS STEEL.
- ② SEE FIGURE.
- ③ SCREWS ARE NICKEL PLATED BRASS.
- ④ OBSOLETE PARTS: OBSOLETE CIS STREAMLINING PER D.RENAUD/D.SINISI

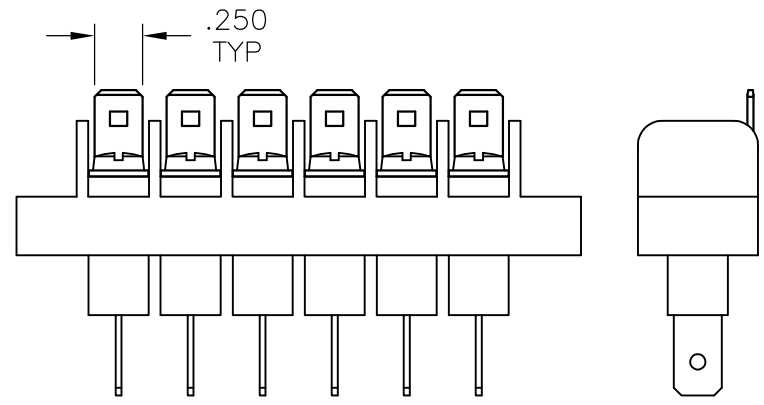


DIM. L	DIM. A	NO. OF POS.	CATALOG NUMBER	PART NO.
9.000	8.250	23	JC6-Q307-23	1546700-9
① 8.625	7.875	22	JC6-Q307-22-226	1776007-8
8.625	7.875	22	JC6-Q307-22	1546700-8
8.250	7.500	21	JC6-Q307-21	1546700-7
7.875	7.125	20	JC6-Q307-20	1546700-6
7.500	6.750	19	JC6-Q307-19	1546700-5
① 7.125	6.375	18	JC6-Q307-18-225	1776007-7
7.125	6.375	18	JC6-Q307-18	2-796985-1
6.750	6.000	17	JC6-Q307-17	1546700-4
① ④ OBSOLETE 6.375	5.625	16	JC6-Q307-16-197	1776007-4
6.375	5.625	16	JC6-Q307-16	6-1437666-1
6.000	5.250	15	JC6-Q307-15	6-1437665-1
① ④ OBSOLETE 5.625	4.875	14	JC6-Q307-14-195	1776007-2
5.625	4.875	14	JC6-Q307-14	1546700-3
5.250	4.500	13	JC6-Q307-13	1546700-2
4.875	4.125	12	JC6-Q305-12	4-796985-0
4.875	4.125	12	JC6-Q307-12	6-1437665-0
4.500	3.750	11	JC6-Q307-11	1546700-1
4.125	3.375	10	JC6-Q307-10	5-1437665-9
3.750	3.000	9	JC6-Q307-09	5-1437665-8
① ④ OBSOLETE 3.375	2.625	8	JC6-Q307-08-196	1776007-3
3.375	2.625	8	JC6-Q307-08	5-1437665-7
3.000	2.250	7	JC6-Q307-07	5-1437665-6
② 2.625	1.875	6	JC6-Q307-06-269	1-1776007-0
② ④ OBSOLETE 2.625	1.875	6	JC6-Q307-06-206	1776007-6
2.625	1.875	6	JC6-Q307-06-203	1776007-5
2.625	1.875	6	JC6-Q307-06	5-1437665-5
① ④ OBSOLETE 2.250	1.500	5	JC6-Q307-05-194	1776007-4
2.250	1.500	5	JC6-Q307-05	5-1437665-4
③ 1.875	1.125	4	JC6-Q305-04	1776007-9
1.875	1.125	4	JC6-Q307-04	5-1437665-3
1.500	.750	3	JC6-Q307-03	5-1437665-2
1.125	.375	2	JC6-Q307-02	5-1437665-1

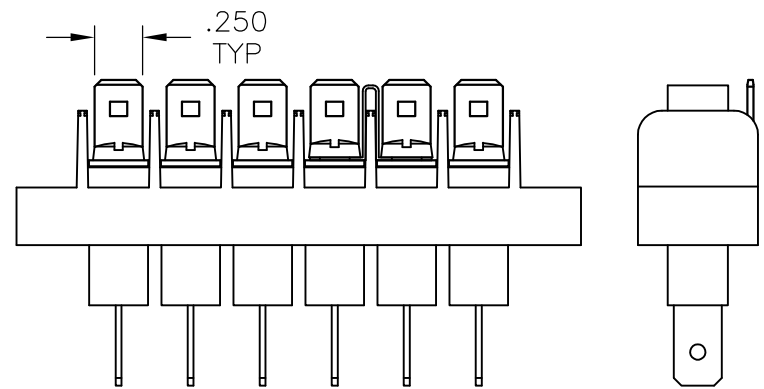
THIS DRAWING IS A CONTROLLED DOCUMENT.		DWN S SCHLEGEL 5/27/03	STE TE Connectivity			
DIMENSIONS: INCHES		CHK S YODER 5/27/03				
TOLERANCES UNLESS OTHERWISE SPECIFIED:		APVD S YODER 5/27/03	NAME			
0 PLC ± -		PRODUCT SPEC	JC6-Q307-XX ASSEMBLY			
1 PLC ± -		APPLICATION SPEC				
2 PLC ± .01		WEIGHT -	SIZE A3	CAGE CODE 00779	DRAWING NO C-5-1437665-1	RESTRICTED TO -
3 PLC ± .005		CUSTOMER DRAWING				
4 PLC ± -		SCALE NTS		SHEET 1 OF 2		
ANGLES ± -		REV G4				
FINISH -						

THIS DRAWING IS UNPUBLISHED. RELEASED FOR PUBLICATION
 © COPYRIGHT - By - ALL RIGHTS RESERVED.

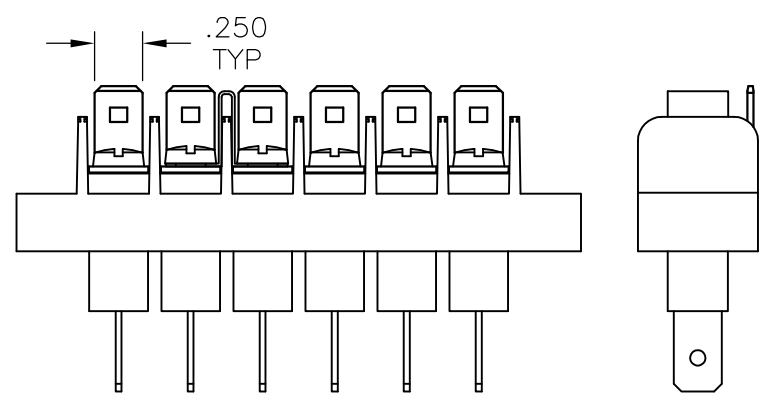
LOC	DIST	REVISIONS				
P	LTR	DESCRIPTION	DATE	DWN	APVD	
FT	0	-	SEE SHEET 1	-	-	




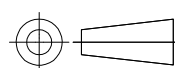
~~1776007-5~~ Δ 4 OBSOLETE



~~1776007-6~~ Δ 4 OBSOLETE



1-1776007-0

THIS DRAWING IS A CONTROLLED DOCUMENT.		DWN S SCHLEGEL 5/27/03	 TE Connectivity		
DIMENSIONS: INCHES		CHK S YODER 5/27/03			
		APVD S YODER 5/27/03	JC6-Q307-XX ASSEMBLY		
TOLERANCES UNLESS OTHERWISE SPECIFIED:		PRODUCT SPEC	RESTRICTED TO		
0 PLC ± -		APPLICATION SPEC	SIZE A3	CAGE CODE 00779	DRAWING NO C-5-1437665-1
1 PLC ± -		WEIGHT -	SCALE NTS		SHEET 2 OF 2
2 PLC ± .01		CUSTOMER DRAWING	REV G4		
3 PLC ± .005					
4 PLC ± -					
ANGLES ± -					
MATERIAL -					
FINISH -					