



Chipsmall Limited consists of a professional team with an average of over 10 year of expertise in the distribution of electronic components. Based in Hongkong, we have already established firm and mutual-benefit business relationships with customers from,Europe,America and south Asia,supplying obsolete and hard-to-find components to meet their specific needs.

With the principle of “Quality Parts,Customers Priority,Honest Operation,and Considerate Service”,our business mainly focus on the distribution of electronic components. Line cards we deal with include Microchip,ALPS,ROHM,Xilinx,Pulse,ON,Everlight and Freescale. Main products comprise IC,Modules,Potentiometer,IC Socket,Relay,Connector.Our parts cover such applications as commercial,industrial, and automotives areas.

We are looking forward to setting up business relationship with you and hope to provide you with the best service and solution. Let us make a better world for our industry!



Contact us

Tel: +86-755-8981 8866 Fax: +86-755-8427 6832

Email & Skype: info@chipsmall.com Web: www.chipsmall.com

Address: A1208, Overseas Decoration Building, #122 Zhenhua RD., Futian, Shenzhen, China



THIS DRAWING IS UNPUBLISHED. RELEASED FOR PUBLICATION

© COPYRIGHT - BY TYCO ELECTRONICS CORPORATION. ALL RIGHTS RESERVED.

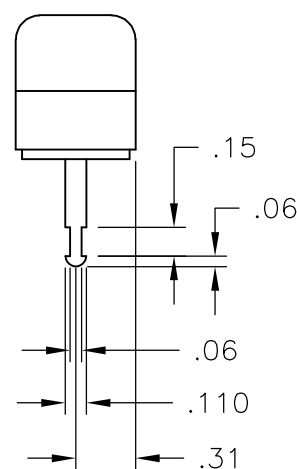
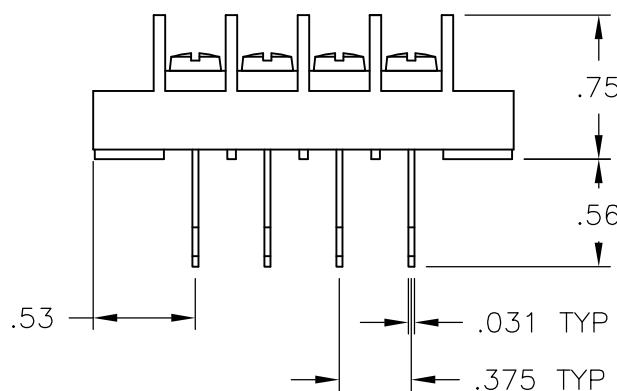
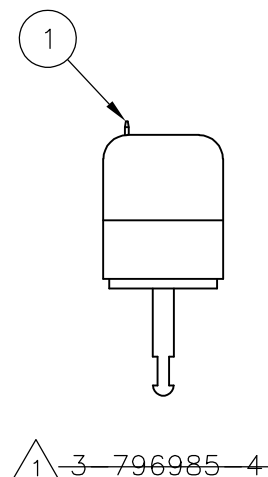
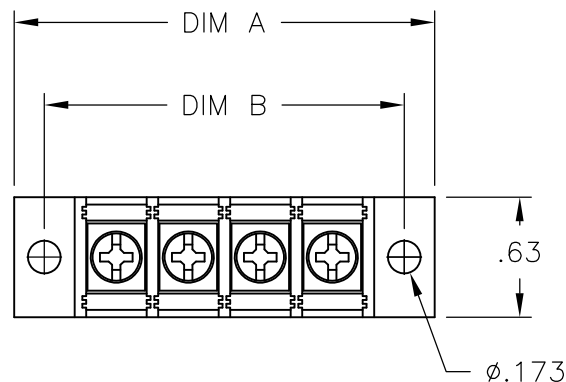
LOC	DIST	REVISIONS					
FT	0	P	LTR	DESCRIPTION	DATE	DWN	APVD
			A2	REVISED PER ECO-10-013614	13OCT10	HMR	CR

MATERIAL:
 HOUSING: THERMOPLASTIC, UL94V-0, BLACK.
 TERMINALS: BRIGHT TIN OVER COPPER ALLOY.
 SCREWS: 6-32, STEEL, ZINC PLATING W/ CLR CHROMATE.

ELECTRICAL:
 CURRENT RATING: 20A.
 OPERATING VOLTAGE: 300V.
 WIRE RANGE: 12-22 AWG.

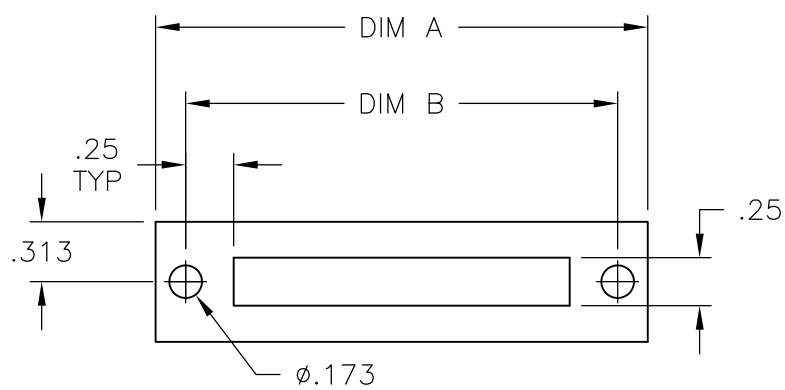
ENVIRONMENTAL:
 OPERATING TEMP.: 105°C MAX.

1 OBSOLETE PARTS: OBSOLETE CIS STREAMLINING PER D.RENAUD/D.SINISI



SEE FIGURE

-	9.000	9.314	23	JC6-T207-23	2-1546701-8		
-	8.625	8.939	22	JC6-T207-22	2-1546701-7		
-	8.250	8.564	21	JC6-T207-21	2-1546701-6		
-	7.875	8.189	20	JC6-T207-20	2-1546701-5		
-	7.500	7.814	19	JC6-T207-19	2-1546701-4		
-	7.125	7.439	18	JC6-T207-18	2-1546701-3		
-	6.750	7.064	17	JC6-T207-17	2-1546701-2		
-	6.375	6.689	16	JC6-T207-16	2-1546701-0		
-	6.000	6.314	15	JC6-T207-15	1-1546701-9		
-	5.625	5.939	14	JC6-T207-14	1-1546701-8		
-	5.250	5.564	13	JC6-T207-13	1-1546701-7		
-	4.875	5.189	12	JC6-T207-12	1-1546701-6		
-	4.500	4.814	11	JC6-T207-11	1-1546701-5		
-	4.125	4.439	10	JC6-T207-10	8-1437665-3		
-	3.750	4.064	9	JC6-T207-09	1-1546701-4		
-	3.375	3.689	8	JC6-T207-08	8-1437665-2		
-	3.000	3.314	7	JC6-T207-07	1-1546701-3		
-	2.625	2.939	6	JC6-T207-06	796985-2		
5	2.250	2.564	5	JC6-T207-05-148	1-3-796985-4		
-	2.250	2.564	5	JC6-T207-05	8-1437665-1		
-	1.875	2.189	4	JC6-T207-04	8-1437665-0		
-	1.500	1.814	3	JC6-T207-03	7-1437665-9		
-	1.125	1.439	2	JC6-T207-02	7-1437665-8		
.250 QC TAB 90° SGL SIDED							
1	DIM B	DIM A	NO OF POS	CATALOG NUMBER	PART NUMBER		



RECOMMENDED BOARD LAYOUT

THIS DRAWING IS A CONTROLLED DOCUMENT.		DWN	S SCHLEGEL	10/24/06	Tyco Electronics Corporation Harrisburg, PA 17105-3608	
DIMENSIONS: INCHES		CHK	S YODER	10/24/06		
TOLERANCES UNLESS OTHERWISE SPECIFIED:		APVD	S YODER	10/24/06	NAME	
0 PLC	± -	PRODUCT SPEC		JC6-T207-XX ASSEMBLY		
1 PLC	± -	APPLICATION SPEC				
2 PLC	± .01	WEIGHT		SIZE	CAGE CODE	DRAWING NO
3 PLC	± .005	MATERIAL		A3	00779	C-7-1437665-8
4 PLC	± -	FINISH		RESTRICTED TO		
ANGLES	± -	CUSTOMER DRAWING		SCALE	SHEET	REV
				NTS	1 OF 1	A2