



Chipsmall Limited consists of a professional team with an average of over 10 year of expertise in the distribution of electronic components. Based in Hongkong, we have already established firm and mutual-benefit business relationships with customers from,Europe,America and south Asia,supplying obsolete and hard-to-find components to meet their specific needs.

With the principle of “Quality Parts,Customers Priority,Honest Operation,and Considerate Service”,our business mainly focus on the distribution of electronic components. Line cards we deal with include Microchip,ALPS,ROHM,Xilinx,Pulse,ON,Everlight and Freescale. Main products comprise IC,Modules,Potentiometer,IC Socket,Relay,Connector.Our parts cover such applications as commercial,industrial, and automotives areas.

We are looking forward to setting up business relationship with you and hope to provide you with the best service and solution. Let us make a better world for our industry!



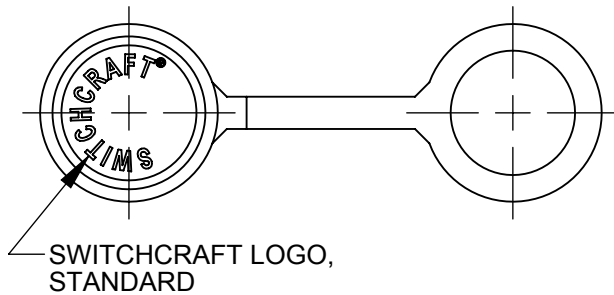
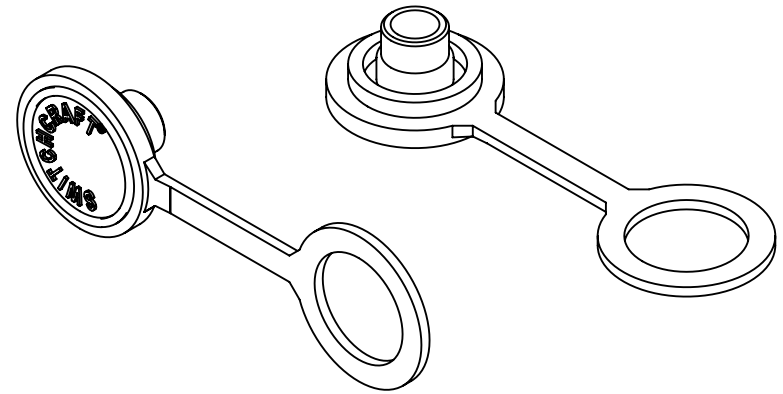
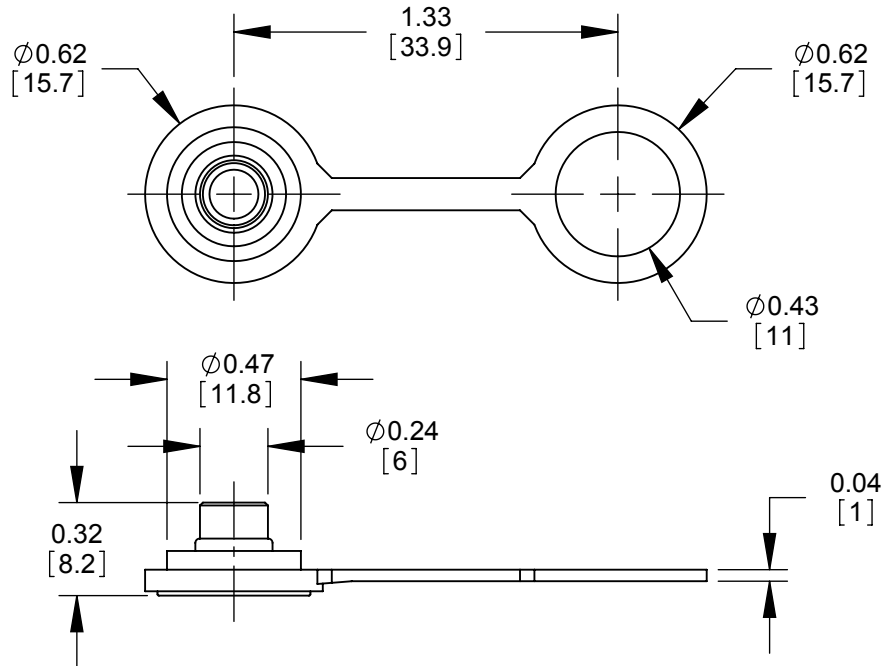
Contact us

Tel: +86-755-8981 8866 Fax: +86-755-8427 6832

Email & Skype: info@chipsmall.com Web: www.chipsmall.com

Address: A1208, Overseas Decoration Building, #122 Zhenhua RD., Futian, Shenzhen, China





SWITCHCRAFT LOGO,
STANDARD

NOTES:

1. DIMENSIONS SHOWN FOR REFERENCE ONLY
2. MATERIAL: THERMOPLASTIC ELASTOMER, BLACK COLOR
3. THIS PART IS RoHS COMPLIANT

CUSTOMER DRAWING

					THIS DRAWING DESCRIBES A DESIGN CONSIDERED PROPRIETARY IN NATURE, DEVELOPED AND MANUFACTURED BY SWITCHCRAFT INC. AND IS RELEASED ON A CONFIDENTIAL BASIS FOR IDENTIFICATION PURPOSES ONLY.																		
					SIZE	WIDTH	MULT	LBS/M	TEMPER														
					FINISH			MATERIAL															
					SPEC No.			SPEC No.															
					FIRST USED ON		SCALE 1.5:1																
					DATE DRAWN	BY	CHKD	APVD															
					07/28/09	PNK	RS 8/6/10	TJK 8/6/10															
					NAME			PART No.															
					WEATHERTIGHT MICRO CAP, RoHS			JCAP															
								REV A															
<table border="1"> <tr> <td>UNLESS OTHERWISE SPECIFIED</td> </tr> <tr> <td>1. ALL DIMENSIONS IN INCHES</td> </tr> <tr> <td>- TWO PLACE DECIMALS ±0.02</td> </tr> <tr> <td>- THREE PLACE DECIMALS ±0.005</td> </tr> </table>					UNLESS OTHERWISE SPECIFIED	1. ALL DIMENSIONS IN INCHES	- TWO PLACE DECIMALS ±0.02	- THREE PLACE DECIMALS ±0.005	<table border="1"> <tr> <td>REVISIONS</td> <td>ECO NUMBER</td> <td>DATE</td> <td>BY</td> <td>APVD</td> </tr> <tr> <td>A</td> <td>26591</td> <td>8/5/10</td> <td>RS</td> <td>TJK</td> </tr> </table>					REVISIONS	ECO NUMBER	DATE	BY	APVD	A	26591	8/5/10	RS	TJK
UNLESS OTHERWISE SPECIFIED																							
1. ALL DIMENSIONS IN INCHES																							
- TWO PLACE DECIMALS ±0.02																							
- THREE PLACE DECIMALS ±0.005																							
REVISIONS	ECO NUMBER	DATE	BY	APVD																			
A	26591	8/5/10	RS	TJK																			
DO NOT SCALE DRAWING																							

SolidWorks CAD File

