



Chipsmall Limited consists of a professional team with an average of over 10 year of expertise in the distribution of electronic components. Based in Hongkong, we have already established firm and mutual-benefit business relationships with customers from,Europe,America and south Asia,supplying obsolete and hard-to-find components to meet their specific needs.

With the principle of "Quality Parts,Customers Priority,Honest Operation,and Considerate Service",our business mainly focus on the distribution of electronic components. Line cards we deal with include Microchip,ALPS,ROHM,Xilinx,Pulse,ON,Everlight and Freescale. Main products comprise IC,Modules,Potentiometer,IC Socket,Relay,Connector.Our parts cover such applications as commercial,industrial, and automotives areas.

We are looking forward to setting up business relationship with you and hope to provide you with the best service and solution. Let us make a better world for our industry!



Contact us

Tel: +86-755-8981 8866 Fax: +86-755-8427 6832

Email & Skype: info@chipsmall.com Web: www.chipsmall.com

Address: A1208, Overseas Decoration Building, #122 Zhenhua RD., Futian, Shenzhen, China





INNOVATION SERIES

Linear LED Light Modules



Overview

Heatron's Innovation Series LED Modules provide luminaire manufacturers with the key components needed to move LED lighting projects from concept to production. The LED modules were built for design engineers looking for an easy way to prototype new fixture designs. An off-the-shelf platform, these modules move seamlessly from prototype to final design. Innovation Modules are centered on Cree XPG and XTE LEDs. Custom configurations are available for OEM's who prefer other LED packages, flux bins, color temperatures or CRI.

Linear Innovation Series LED Modules are available in three sizes with two, three, or six LED arrays.

Also see our Round Innovation Series LED Modules, available in three versions with three or seven LED arrays.

Innovation Series modules come with easy-to-use connectors, enabling quick prototyping of various light engines.



*Transforming Your Vision
into Higher Performance Solutions*

Linear LED Light Modules

Key Features

- Luminous efficacy of up to 78 lm/W
- Available in 3000 K
- CRI 80
- Peel and stick thermal interface for easy integration into OEM light fixtures
- Environmentally green: Mercury and UV Free
- 5 year warranty

Fixture Types

- Sconce
- Linear
- Accent
- Step
- Cove
- Under cabinet task

Optical Characteristics Tj = 85°C				
Part Number	Lumen ⁽¹⁾ Values If @ 700 mA	Lumen ⁽¹⁾ Values If @ 1.5A	Color Temperature (Kelvin)	CRI Minimum
JDHT-LMC02-XPG-WW-094	300	530	3000	80
JDHT-LMC03-XPG-WW-094	450	810	3000	80
JDHT-LMC06-XPG-WW-094	900	1600	3000	80
JDHT-LMC02-XTE-WW-094	320	550	3000	80
JDHT-LMC03-XTE-WW-094	500	860	3000	80
JDHT-LMC06-XTE-WW-094	1000	1700	3000	80

¹Values are nominal. Flux values measured without optics.

Electrical Characteristics Tj = 85°C						
Part Number	Vf		Forward Current		Input Power	
	Nominal	Max	Nominal	Max	Nominal	Max
JDHT-LMC02-XPG-WW-094	5.8 V	6.2 V	700 mA	1.5 A	4.0 W	9.2 W
JDHT-LMC03-XPG-WW-094	8.65 V	9.24 V	700 mA	1.5 A	6.0 W	13.9 W
JDHT-LMC06-XPG-WW-094	17.3 V	18.5 V	700 mA	1.5 A	12.1 W	27.7 W
JDHT-LMC02-XTE-WW-094	6.1 V	6.8 V	700 mA	1.5 A	4.3 W	10.1 W
JDHT-LMC03-XTE-WW-094	9.14 V	10.12 V	700 mA	1.5 A	6.4 W	15.2 W
JDHT-LMC06-XTE-WW-094	18.3 V	20.3 V	700 mA	1.5 A	12.8 W	30.4 W

Ordering Information

Example: JDHT-LMC02-XPG-WW-094

Internal	Series	LED Quantity	LED	Color Temperature	Min. Flux Bin	Optics C_B
JDHT	LMC	02 03 06	XTE XPG	WW = 3000	094	Blank = no optics N = Narrow 10° M = Medium 30° W = Wide 40°

Contact Heatron LED Integration for alternative Innovations Series product configurations in LEDs, flux, CCT and CRI

Linear LED Light Modules

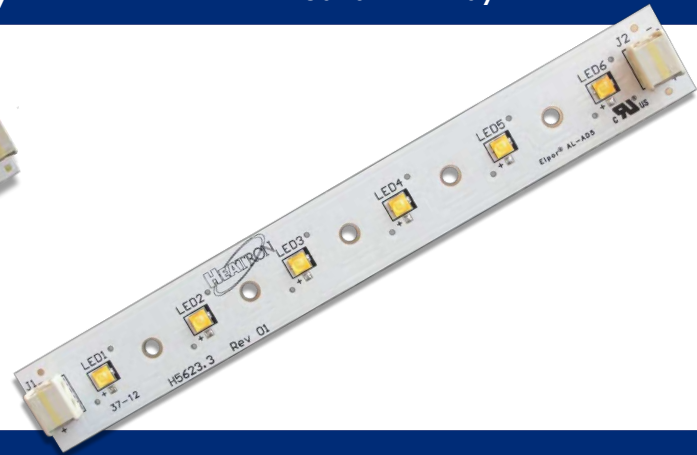
Linear 2 LED Array



Linear 3 LED Array

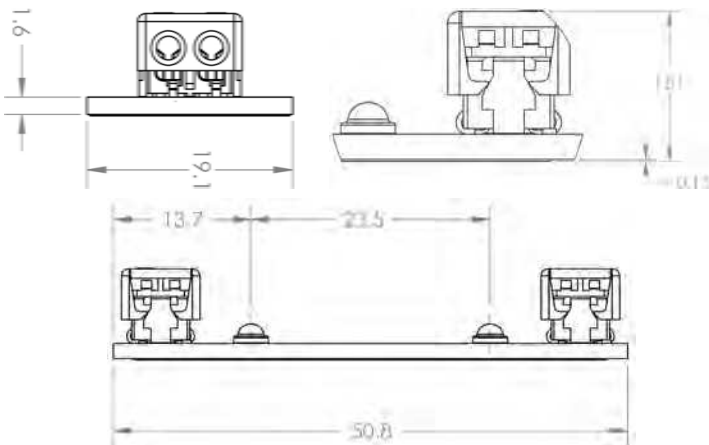


Linear 6 LED Array

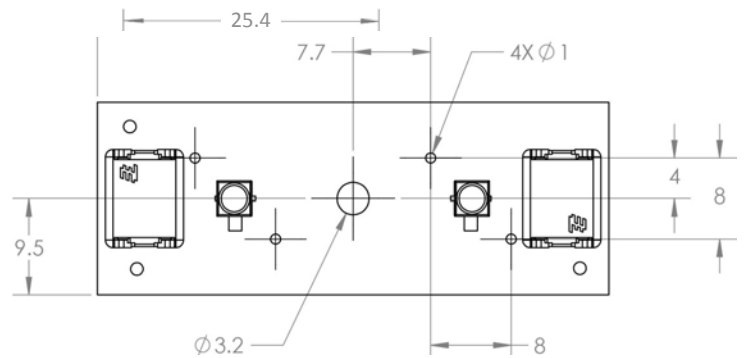


Dimensions

All Linear LED Array Dimensions: Width & Height

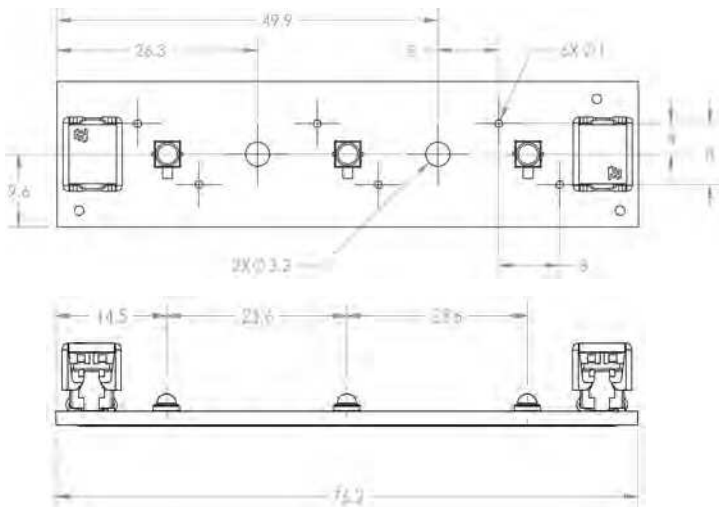


Linear 2 LED Array

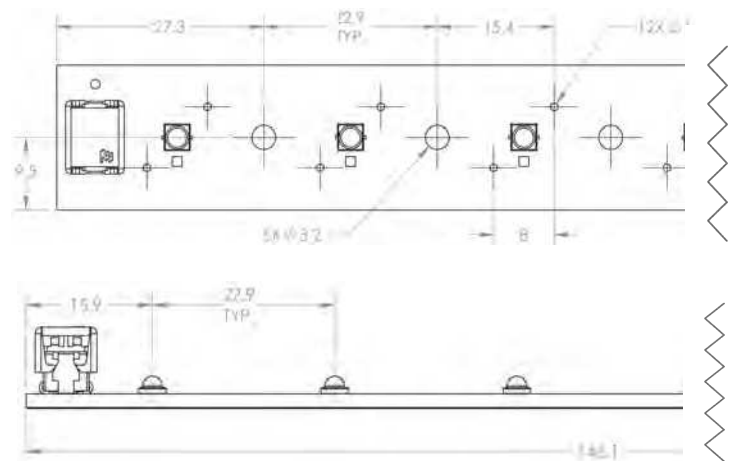


Dimensions

Linear 3 LED Array



Linear 6 LED Array



All dimensions are in millimeters.

Innovation Series LED Modules are high output arrays; use with constant current driver and heat sink capable of dissipating 10 Watts for Linear 2 LED Arrays, 15 Watts for Linear 3 LED Array and 30 Watts for Linear 6 LED Array. Contact Heatron for list of compatible LED drivers.



Round Innovation Series LED Modules



About Heatron LED Integration

Heatron LED Integration helps OEMs reduce costs, speed time to market and ensure superior quality and performance. Heatron LED Integration leverages the disciplines of optical, electrical and mechanical design, with expertise in thermal management.

Offering various levels of integration ranging from design and manufacture of component level LED light engines to turnkey LED lighting solutions, Heatron designs for a broad range of uses, including indoor, outdoor, commercial, industrial, healthcare and transportation.

Heatron, Inc. – *Transforming Your Vision into Higher Performance Solutions.* For more information about Heatron LED Integration, its products, services and manufacturing, visit www.heatron.com

3000 Wilson Avenue
Leavenworth, KS 66048-4637 USA
877.553.9070

P: 1.913.651.4420 • F: 1.913.651.5352

www.heatron.com • sales@heatron.com

ISO 9001:2008 • Registered by Underwriters Laboratories, Inc.

