



Chipsmall Limited consists of a professional team with an average of over 10 year of expertise in the distribution of electronic components. Based in Hongkong, we have already established firm and mutual-benefit business relationships with customers from,Europe,America and south Asia,supplying obsolete and hard-to-find components to meet their specific needs.

With the principle of “Quality Parts,Customers Priority,Honest Operation,and Considerate Service”,our business mainly focus on the distribution of electronic components. Line cards we deal with include Microchip,ALPS,ROHM,Xilinx,Pulse,ON,Everlight and Freescale. Main products comprise IC,Modules,Potentiometer,IC Socket,Relay,Connector.Our parts cover such applications as commercial,industrial, and automotives areas.

We are looking forward to setting up business relationship with you and hope to provide you with the best service and solution. Let us make a better world for our industry!



Contact us

Tel: +86-755-8981 8866 Fax: +86-755-8427 6832

Email & Skype: info@chipsmall.com Web: www.chipsmall.com

Address: A1208, Overseas Decoration Building, #122 Zhenhua RD., Futian, Shenzhen, China



LE16901S
('ON 0NIMVHD) 台景理図

版数 REV.	年月日 DATE	DCN NO.	変更内容 DESCRIPTION	製図 DR.	担当 CHK.	査閲 APPD.	承認 APPD.
2	18.Sep.2007	061019	ADDED NOTE 2,FFC WIDTH CHANGE		M.TAKAKU		Y.TATEBE
3	17.Jan.2008	064013	REVISED DIMENSION A,ADDED ITEM	H.TSURUOKA	M.TAKAKU		Y.TATEBE
4	10.Apr.2008	065480	REVISED NOTE.	H.TSURUOKA	M.TAKAKU		Y.TATEBE
5	20.Apr.2009	067783	ADDED ITEM.	H.TSURUOKA	M.TAKAKU		Y.KUBOTA
6	20.Nov.2009	069000	ADDED ITEM.	H.TSURUOKA	M.TAKAKU		<i>Y. Sugi</i>

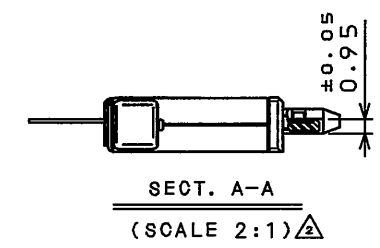
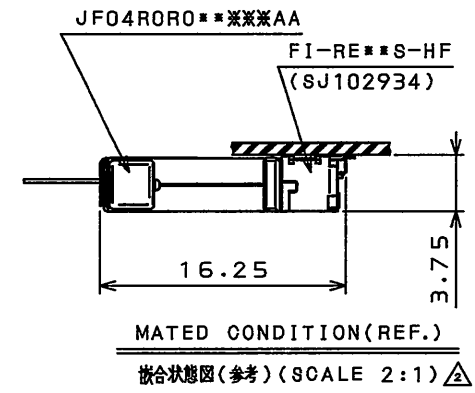
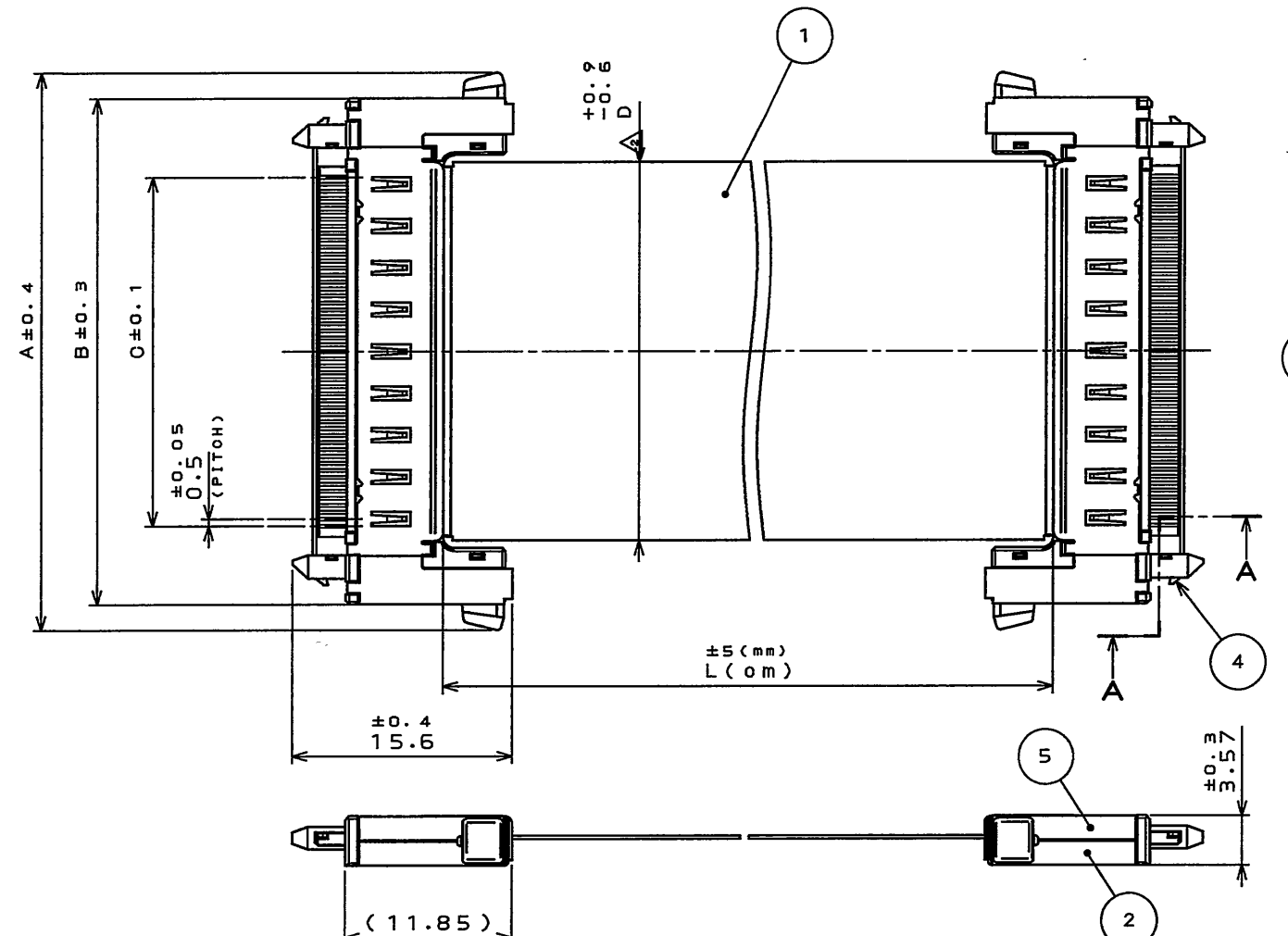


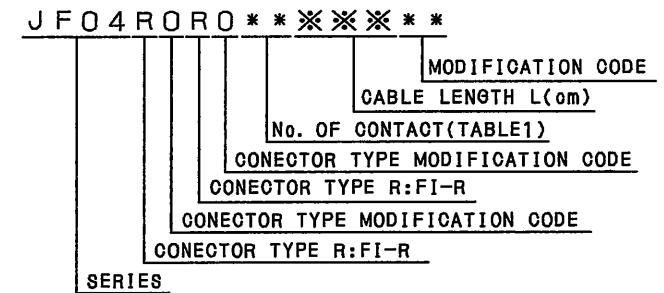
TABLE 1

No. OF CONTACT	A ±0.4	B ±0.3	C ±0.1	D +0.2/-0.6
21	24.95	21.25	10	12.1
31	29.95	26.25	15	17.1
41	34.95	31.25	20	22.1
51	39.95	36.25	25	27.1

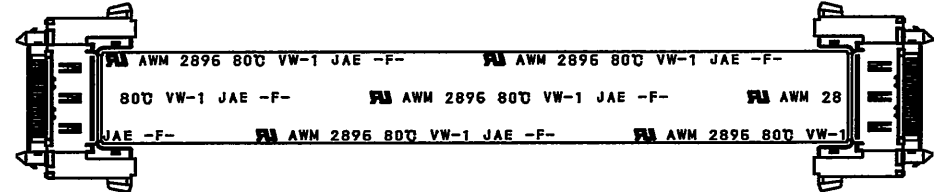
TABLE 2

TITLE (No. of Contact)	L ±5 (mm)
JF04R0R0**010AA	10
JF04R0R0**015AA	15
JF04R0R0**020AA	20
JF04R0R0**025AA	25
JF04R0R0**030AA	30
JF04R0R0**035AA	35
JF04R0R0**040AA	40
JF04R0R0**045AA	45
JF04R0R0**050AA	50
JF04R0R0**055AA	55
JF04R0R0**060AA	60
JF04R0R0**080AA	80
JF04R0R0**100AA	100

NOTE 1. DESIGNATION
注1. 命名法



NOTE 2. WHEN UL STYLE NO. IS DISPLAYED IN FFC, EITHER OF FOLLOWING ① OR ② OR ③ IS PRINTED.
注2. UL STYLE No. を表示する場合、下記 ① ② ③ のいずれかが印刷されます。
① AWM 2896 80C VW-1 JAE -F-
② AWM 2896 80C VW-1 JAE-WX -F-
③ AWM 2896 80C VW-1 JAE-PH -F-



STATE OF UL STYLE No. PRINT (REF.)
UL STYLE NO. 表示状態(参考)
(SCALE 1:1)

符号 NO.	名称 DESCRIPTION	個数 QTY.	材料 MATERIAL	仕上 FINISH	備考 REMARKS
6	COVER INSULATOR	2	HEAT RESISTING PLASTIC		UL94V-0
5	COVER SHELL	2	COPPER ALLOY	TIN PLATING	
4	LOCK SPRING	4	STAINLESS STEEL		
3	BASE INSULATOR	2	HEAT RESISTING PLASTIC		UL94V-0
2	BASE SHELL	2	COPPER ALLOY	TIN PLATING	
1	FFC	1	CONDUCTOR: COPPER ALLOY INSULATION TAPE: PET/ADHESIVES	CONTACT AREA: GOLD OVER NICKEL	

仕様書 (SPECIFICATION) JAGS-10294-*	第1版 (ORIGINAL DATE) 7.Jul.2005	尺度 (SCALE) 2:1	シリーズ (SERIES) JF04	日本航空電子工業株式会社 JAPAN AVIATION ELECTRONICS INDUSTRY, LTD.	図面番号 (DRAWING NO.) SJ069131	版数 (REV.) 6
製造 DR. 担当 CHK. 査閲 APPD. 承認 APPD.	M.TAKAKU Y.TATEBE	名称 (TITLE) JF04R0R0**AA (NOTE 1)	質量 (MASS)			