



Chipsmall Limited consists of a professional team with an average of over 10 year of expertise in the distribution of electronic components. Based in Hongkong, we have already established firm and mutual-benefit business relationships with customers from,Europe,America and south Asia,supplying obsolete and hard-to-find components to meet their specific needs.

With the principle of “Quality Parts,Customers Priority,Honest Operation,and Considerate Service”,our business mainly focus on the distribution of electronic components. Line cards we deal with include Microchip,ALPS,ROHM,Xilinx,Pulse,ON,Everlight and Freescale. Main products comprise IC,Modules,Potentiometer,IC Socket,Relay,Connector.Our parts cover such applications as commercial,industrial, and automotives areas.

We are looking forward to setting up business relationship with you and hope to provide you with the best service and solution. Let us make a better world for our industry!



Contact us

Tel: +86-755-8981 8866 Fax: +86-755-8427 6832

Email & Skype: info@chipsmall.com Web: www.chipsmall.com

Address: A1208, Overseas Decoration Building, #122 Zhenhua RD., Futian, Shenzhen, China



927021RS
(NON SHIELD) 仕様図

版数 VER.	年月日 DATE	ON NO.	変更内容 DESCRIPTION	製図 DR.	担当 CHK.	査閲 APPD.	承認 APPD.

TABLE 1

NO. OF CONTACT	A	B	C	D
21	10	21.4	25	12.1
41	20	31.4	35	22.1
51	25	36.4	40	27.1

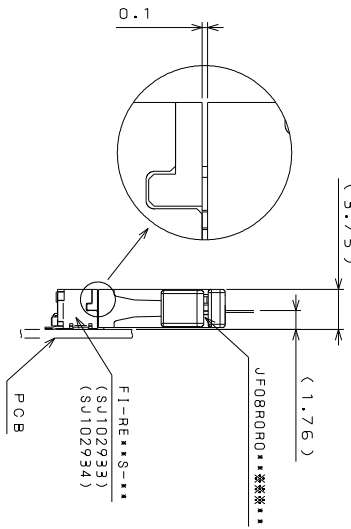
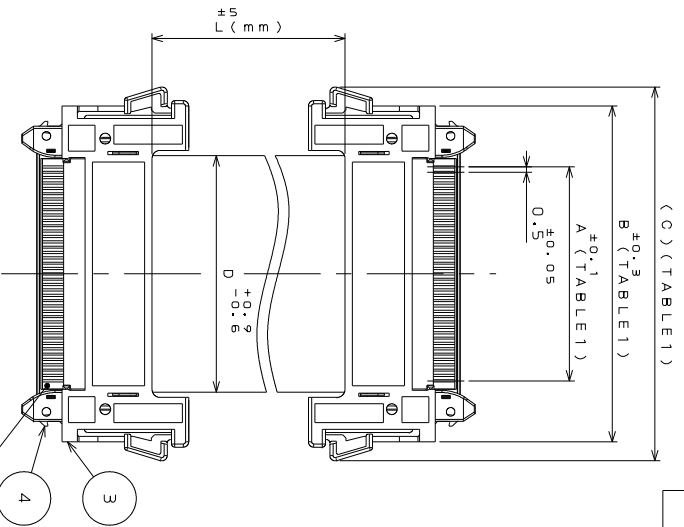
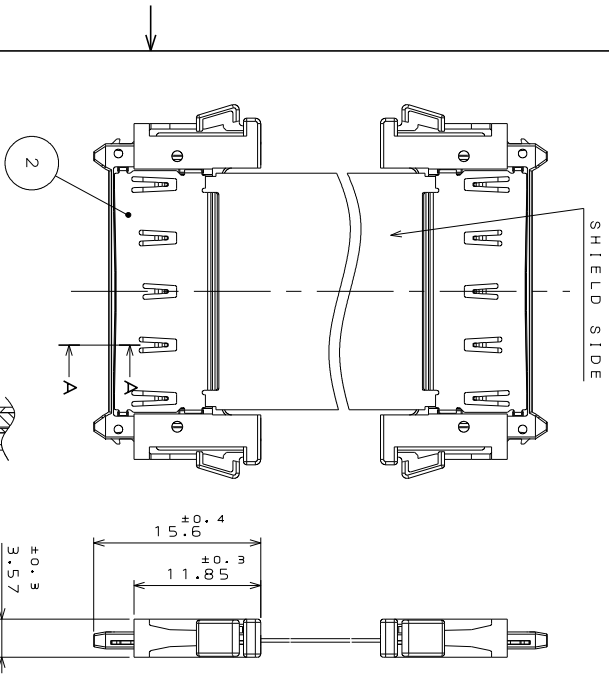


TABLE 2

CABLE LENGTH CODE	L _{mm} ±5
010	097
015	147
020	197
030	297
040	397
050	497

JF08R0R0** ** ** **

MODIFICATION CODE

CABLE LENGTH CODE(TABLE2)

MODIFIED CONDITION(REF.)

製造ロット(番号)(SCALE 2:1)

No. OF CONTACT(TABLE1)

CONNECTOR TYPE MODIFICATION CODE

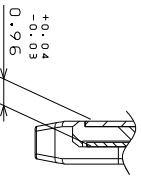
CONNECTOR TYPE R:F-I-R

CONNECTOR TYPE MODIFICATION CODE

CONNECTOR TYPE R:F-I-R

SERIES

SECT. A-A
(SCALE 5:1)



DCF-C-212H(12.08)

4	LOCK	4	STAINLESS STEEL	寸法(SCALE)	2:1	JF08	日本航空電子工業株式会社
3	INSULATOR	2	HEAT RESISTING PLASTIC	製造(ORIGINAL DATE)	3.Apr.2018	T.TADA	JAE ELECTRONICS
2	SHELL	2	COPPER ALLOY	担当	M.YAMASHITA	製図	JAE INDUSTRY, LTD.
1	FFC	1	INSULATION TAPE/ADHESIVES	査閲	M.KIKUCHI	承認	(ALUMINUM SHIELD FFC TYPE)
符号 NO.		名称 DESCRIPTION		数量 QTY.		仕上 FINISH	
仕様書(SPECIFICATION)		JACS-11232-*		材料 MATERIAL		備考 REMARKS	
公差(GENERAL TOLERANCE)		寸法(DIMENSION)		角度(ANGLES)		面番号(DRAWING NO.)	
.X ±0.4		.XX ±0.1		.XXX ±		S/J120276	
.XXX ±		単位(UNIT) : mm		質量(MASS)		原数(VER.)	
.XXX ±						1	