



Chipsmall Limited consists of a professional team with an average of over 10 year of expertise in the distribution of electronic components. Based in Hongkong, we have already established firm and mutual-benefit business relationships with customers from,Europe,America and south Asia,supplying obsolete and hard-to-find components to meet their specific needs.

With the principle of “Quality Parts,Customers Priority,Honest Operation,and Considerate Service”,our business mainly focus on the distribution of electronic components. Line cards we deal with include Microchip,ALPS,ROHM,Xilinx,Pulse,ON,Everlight and Freescale. Main products comprise IC,Modules,Potentiometer,IC Socket,Relay,Connector.Our parts cover such applications as commercial,industrial, and automotives areas.

We are looking forward to setting up business relationship with you and hope to provide you with the best service and solution. Let us make a better world for our industry!



Contact us

Tel: +86-755-8981 8866 Fax: +86-755-8427 6832

Email & Skype: info@chipsmall.com Web: www.chipsmall.com

Address: A1208, Overseas Decoration Building, #122 Zhenhua RD., Futian, Shenzhen, China



PulseJack™

1XN, Tab-Up, PoE



Description:

100 Base-TX (Fast Ethernet) RJ45 1xN Integrated Connector Module (ICM) with LEDs -
Designed to support PoE applications



Features and Benefits:

- Ⓜ RoHS peak wave solder temperature rating 260°C
- Ⓜ Unique design ensures a separation of >2.0mm between Power, Signal and Ground pins.
- Ⓜ Compact design includes integrated magnetics, bi-color LEDs
- Ⓜ 350µH minimum OCL with 8mA bias current
- Ⓜ Meets IEEE 802.3 specification

Electrical Specifications @ 25°C - Operating Temperature 0°C to +70°C

RoHS Compliant Part Number	Number of Ports	LEDs ¹ L/R	Insertion Loss TX/RX (dB TYP)		Return Loss (dB TYP)				Crosstalk (dB TYP)			Common Mode Rejection (dB TYP)		Hipot (Vrms MIN)
			1-100 MHz	1-10 MHz	30 MHz	60-80 MHz	1-10 MHz	30-60 MHz	60-100 MHz	1-125 MHz	125-500 MHz	@ 60Hz 1 MIN		
JG0-0031NL	1x2	Y-G/G	-0.15	-20	-16	-12	-40	-35	-30	-20	-20	1500		
JG0-0032NL	1x4													

Notes:

1. LEDs Left/Right: **Y-G** = Bi-color: yellow/green; **G** = green.

RJ45 Durability Testing Rating

Part Number	Mating Force (MAX)	Unmating Force (MAX)	Durability	Plug to Jack Retention (MIN)
JG0 Series	5 lbs./2.268 kgs.	5 lbs./2.268 kgs.	750 Insertions	20 lbs./9.072 kgs.

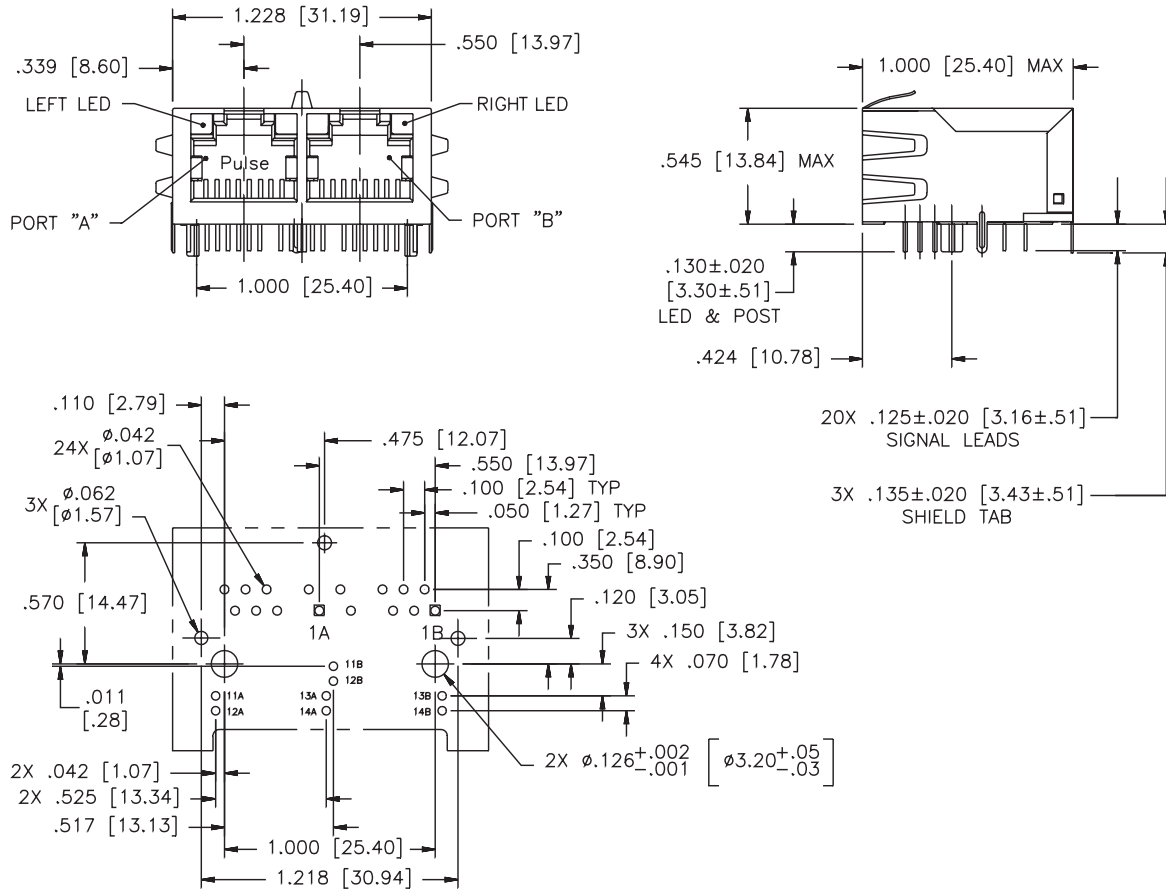
RJ45 Material Specification

Part Number	Shield		Contact			Housing	
	Material	Finish	Material	Plating Area	Solder Area	Material	Specification
JG0 Series	Brass	10-20µ inches thick nickel over 10-20µ inches thick brass	Phosphor Bronze	30µ inches gold over 30-80µ inches nickel	Tin matte finish	Thermoplastic	UL 94 V-0

Notes: 1. Connector dimensions comply with FCC dimension requirements.

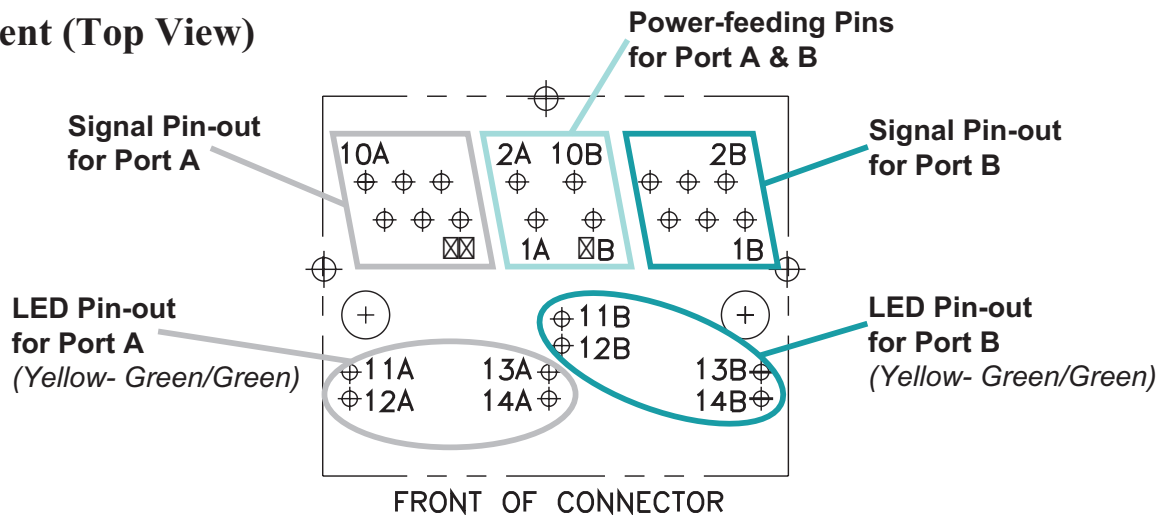
Mechanicals

JG0-0031NL



SUGGESTED PC BOARD LAYOUT VIEWED FROM COMPONENT SIDE
PCB LAYOUT DIMENSIONS TO BE ±.003 UNLESS OTHERWISE SPECIFIED

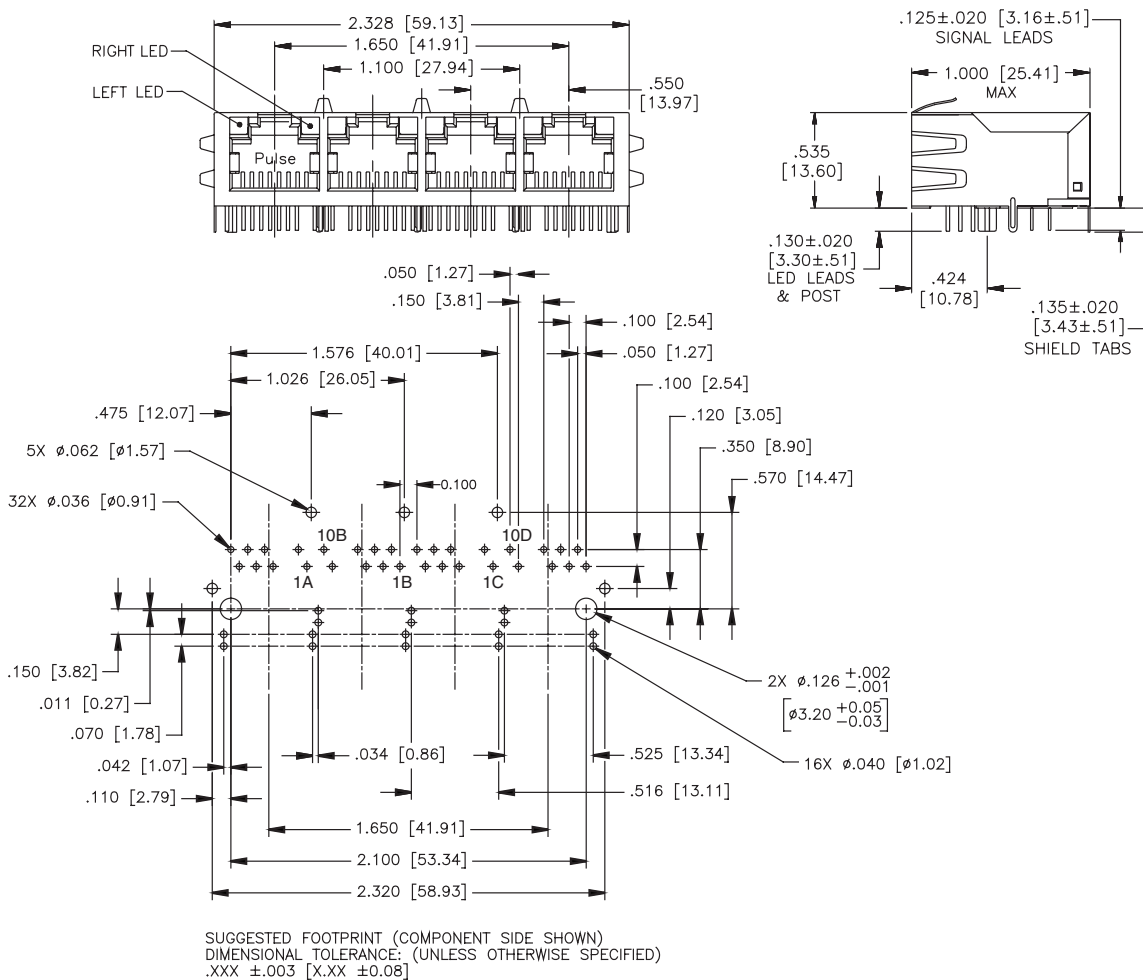
Pin Assignment (Top View)



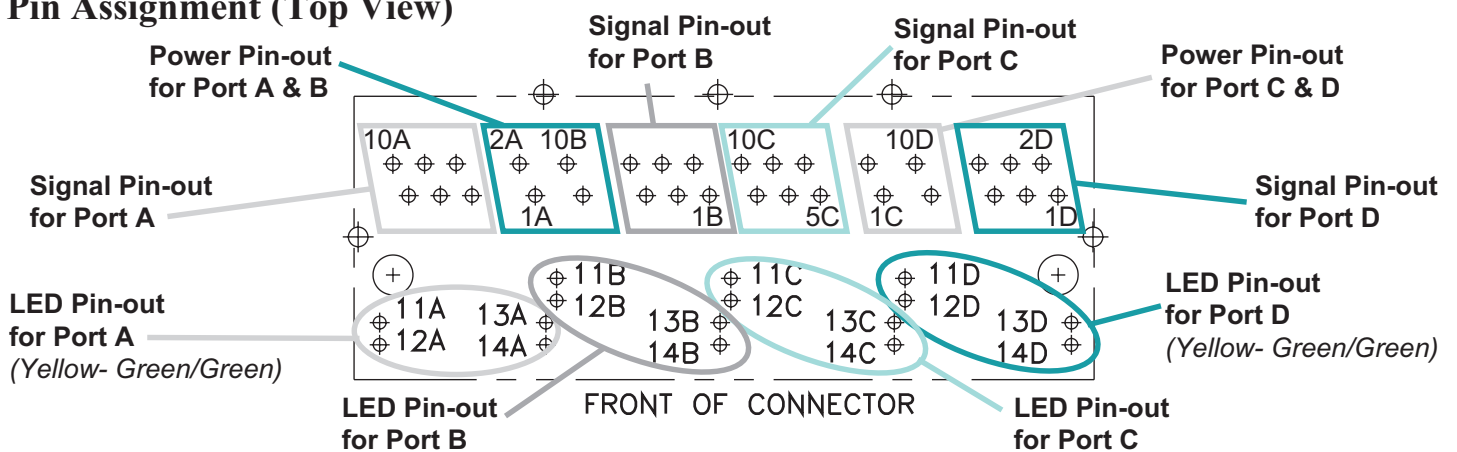
NOTE: Pins 3A, 4A, 7B and 8B are removed from component to simplify PCB layout and separation of Power, Signal and Ground planes.

Mechanicals

JG0-0032NL



Pin Assignment (Top View)

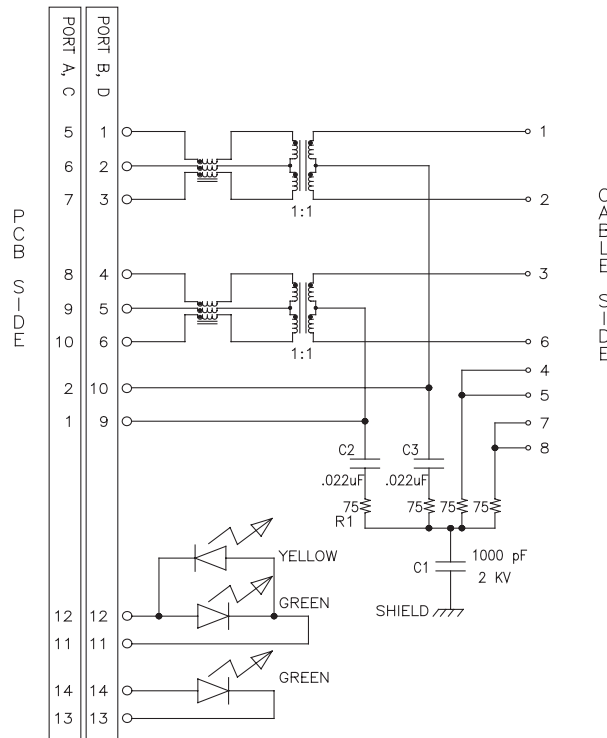


NOTE: Some pins are removed from component to simplify PCB layout and separation of Power, Signal and Ground planes.

PulseJack™ PowerJack G-UP 10

Schematic

JG0-0031NL/0032NL



LED SPECS (Rating At 25°C Ambient):

COLOR		Peak wave length λ_{Pnm}	Spectral halfwidth $\Delta\lambda_{nm}$	Forward Voltage @20mA(v)		Luminous intensity @10mA(mcd)		Forward Current (mA)	Power Dissipation (mW)
Emitted	Lens			Min.	Max.	Min.	Typ.		
Green/ Yellow	White Diffused	565	30	1.7	2.8	3.0	7.0	30	100
		585	35	1.7	2.8	1.2	7.0	20	60
Green	Green Diffused	564~ 574	30	1.7	2.8	5	15	30	84

For More Information

Pulse Worldwide Headquarters
12220 World Trade Drive
San Diego, CA
92128
U.S.A.

Tel: 858 674 8100

Pulse Europe
Einsteinstrasse 1
D-71083 Herrenberg
Germany

Tel: 49 7032 7806

Pulse China Headquarters
B402, Shenzhen Academy of
Aerospace Technol-
ogy Bldg.
10th Kejian Road
High-Tech Zone
Nanshan District
Shenzhen, PR China
518057

Pulse North China
Room 2704/2705
Super Ocean Finance
Ctr.
2067 Yan An Road
West
Shanghai 200336
China

Pulse South Asia
135 Joo Seng Road
#03-02
PM Industrial Bldg.
Singapore 368363

Tel: 65 6287 8998
Fax: 65 6287 8998

Pulse North Asia
3F, No. 198
Zhongyuan Road
Zhongli City
Taoyuan County 320
Taiwan R. O. C.
Tel: 886 3 4356768
Fax: 886 3 4356823
(Pulse)

Performance warranty of products offered on this data sheet is limited to the parameters specified. Data is subject to change without notice. Other brand and product names mentioned herein may be trademarks or registered trademarks of their respective owners. © Copyright, 2013. Pulse Electronics, Inc. All rights reserved.