



Chipsmall Limited consists of a professional team with an average of over 10 year of expertise in the distribution of electronic components. Based in Hongkong, we have already established firm and mutual-benefit business relationships with customers from,Europe,America and south Asia,supplying obsolete and hard-to-find components to meet their specific needs.

With the principle of "Quality Parts,Customers Priority,Honest Operation,and Considerate Service",our business mainly focus on the distribution of electronic components. Line cards we deal with include Microchip,ALPS,ROHM,Xilinx,Pulse,ON,Everlight and Freescale. Main products comprise IC,Modules,Potentiometer,IC Socket,Relay,Connector.Our parts cover such applications as commercial,industrial, and automotives areas.

We are looking forward to setting up business relationship with you and hope to provide you with the best service and solution. Let us make a better world for our industry!



## Contact us

Tel: +86-755-8981 8866 Fax: +86-755-8427 6832

Email & Skype: info@chipsmall.com Web: www.chipsmall.com

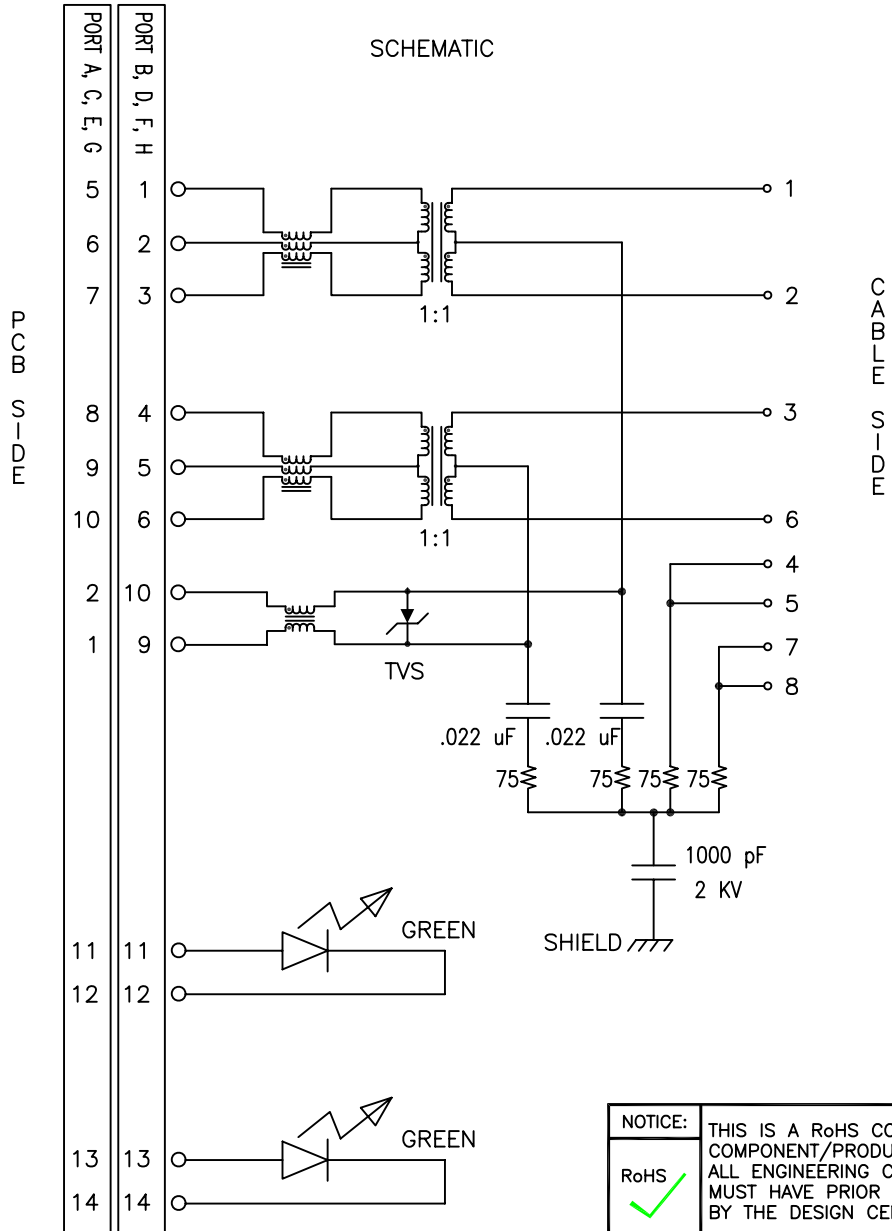
Address: A1208, Overseas Decoration Building, #122 Zhenhua RD., Futian, Shenzhen, China



JG0-0051NL

NOTICE: THE INFORMATION AND DESIGN CONTAINED HEREIN IS THE PROPERTY OF PULSE WHO RESERVES ALL RIGHTS THERETO.

SCHEMATIC



ELECTRICAL CHARACTERISTICS AT +25°C UNLESS OTHER SPECIFIED (FOR REFERENCE ONLY. USED FOR CUSTOMER INFORMATION.)

PARAMETER	SPECIFICATIONS	
	100 KHz	1-125 MHz
INSERTION LOSS	-1.2 dB MAX	$-0.2-0.002*f^{1.4}$ dB MAX
RETURN LOSS ( $Z_{out} = 100 \text{ OHM} \pm 25\%$ )	.1-30 MHz	30-60 MHz
	-16 dB MIN	$-10+20*\text{LOG}_{10}(f/60 \text{ MHz})$ dB MIN
INDUCTANCE (OCL) (MEDIA SIDE, 0°C-70°C)	350 uH MIN (MEASURED AT 100 KHz, 100 mVRMS AND WITH 8 mA DC BIAS)	
CROSSTALK, ADJACENT CHANNELS	1 MHz	10-100 MHz
	-50 dB MIN	$-55+22*\text{LOG}_{10}(f/10)$ dB MIN
COMMON MODE REJECTION RATIO	2 MHz	30-200 MHz
	-50 dB MIN	$-15+20*\text{LOG}_{10}(f/200)$ dB MIN
INPUT - OUTPUT ISOLATION	1500 VRMS MIN @ 60 SECONDS	

NOTE: f IS FREQUENCY IN MHz.

EMMITTED COLOR	GREEN
WAVELENGTH (nm)	565 nM
BRIGHTNESS (mCD)	8 TO 12 TYP. @ 20mA
VIEWING ANGLE	100°
POWER DISSIPATION (Pd)	68 mW MAX
DC FORWARD CURRENT	25 mA MAX
REVERSE VOLTAGE (Vr)	5.0 V MAX

NOTICE: THIS IS A RoHS COMPLIANT COMPONENT/PRODUCT. ALL ENGINEERING CHANGES MUST HAVE PRIOR APPROVAL BY THE DESIGN CENTER.

RoHS

UNLESS OTHERWISE SPECIFIED, ALL DIMENSIONS ARE IN INCHES TOLERANCES ARE:

DECIMALS .XX ±.01 ANGLES ± 1°  
.XXX ±.005

DO NOT SCALE DRAWING

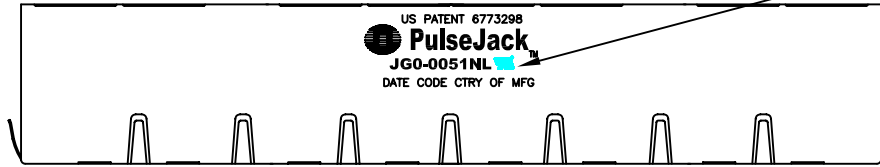
SIZE	CAGE CODE	DWG. NO.	REV.
B01961		JG0-0051NL	X1
SCALE NONE	CADD FILE	JG0-0051NL-1	SHEET 1 OF 4

JGO-0051NL

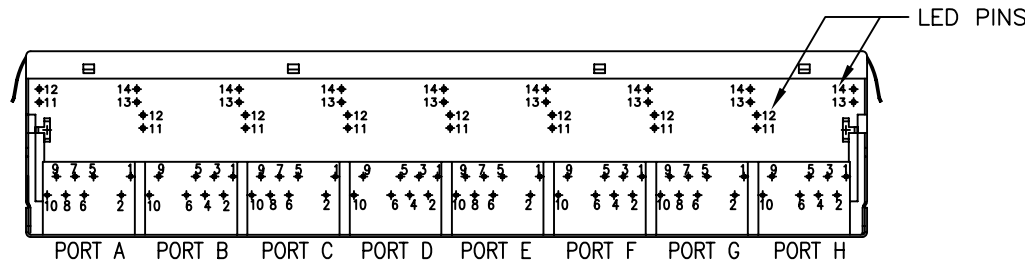
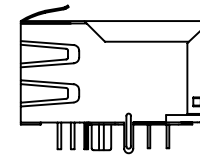
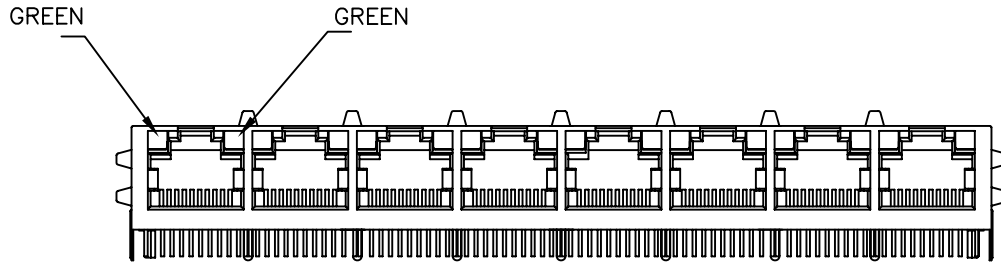
NOTICE: THE INFORMATION AND DESIGN CONTAINED HEREIN IS THE PROPERTY OF PULSE WHO RESERVES ALL RIGHTS THERETO.

FINAL OUTLINE NOTE:  
CHECK DIMENSIONS PER PACKAGE SPECIFICATION ITEM 15.

MARK PART WITH "UL MARK"  
PER PROCEDURE ITEM 22.  
MARK POSITION IS OPTIONAL  
PREFERRED LOCATION IS  
TOP OF THE PART.



FINAL OUTLINE



PIN ASSIGNMENT  
(BOTTOM VIEW)

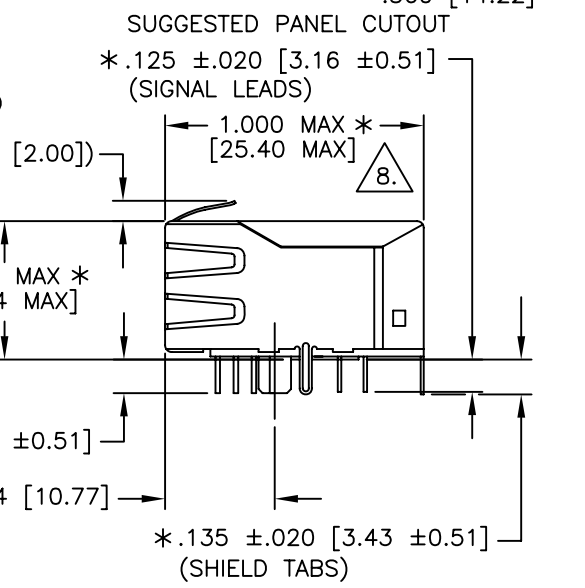
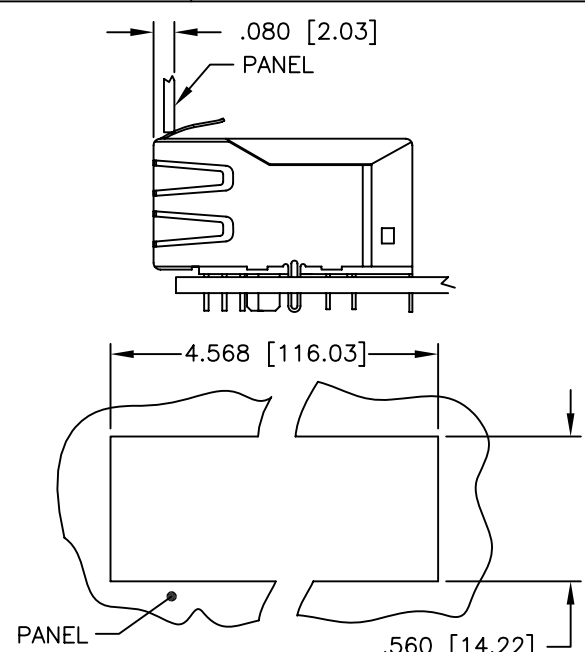
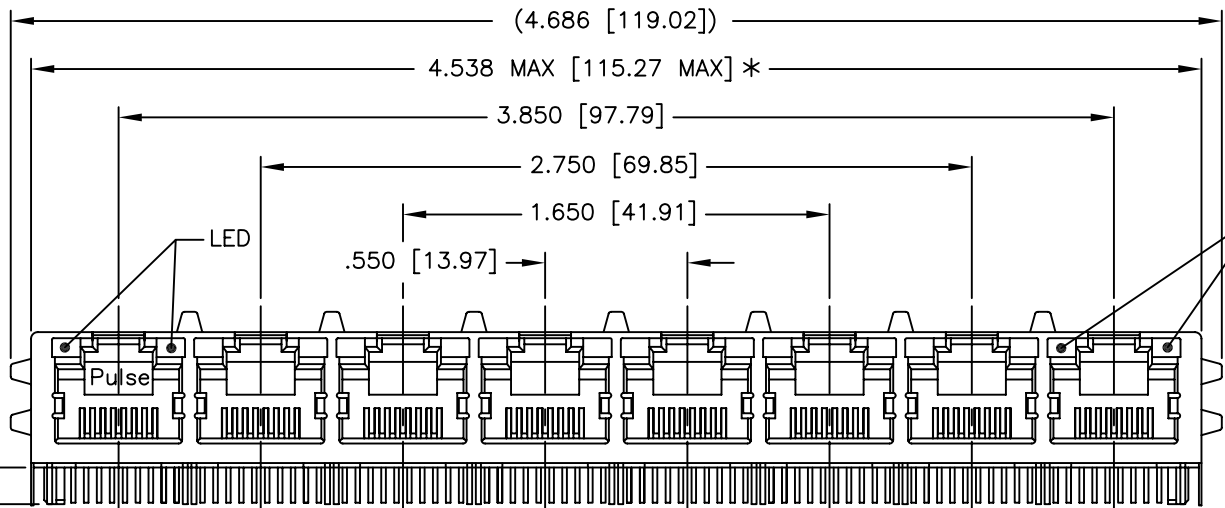
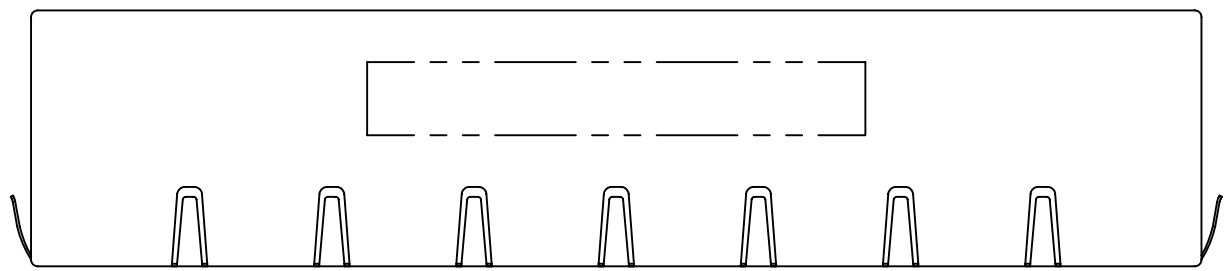
NOTES:  
FOR PORT A, C, E AND G: PINS 3 AND 4 ARE REMOVED.  
FOR PORT B, D, F AND H: PINS 7 AND 8 ARE REMOVED.

UNLESS OTHERWISE SPECIFIED, ALL DIMENSIONS ARE IN INCHES  
TOLERANCES ARE:  
DECIMALS .XX ±.01 ANGLES ± 1°  
.XXX ±.005  
DO NOT SCALE DRAWING

SIZE	CAGE CODE	DWG. NO.	REV.
B01961		JGO-0051NL	X1
SCALE	CADD FILE	SHEET	
NONE	JGO-0051NL-2	2 OF 4	

JG0-0051NL

NOTICE: THE INFORMATION AND DESIGN CONTAINED HEREIN IS THE PROPERTY OF PULSE WHO RESERVES ALL RIGHTS THERETO.



UNLESS OTHERWISE SPECIFIED, ALL DIMENSIONS ARE IN INCHES. TOLERANCES ARE:  
 DECIMALS ±.01  
 .XX ±.01  
 .XXX ±.005  
 DO NOT SCALE DRAWING

SIZE	CAGE CODE	DWG. NO.	REV
SCALE	B01961	JG0-0051NL	X1
2/1	CADD FILE	JG0-0051NL-3	SHEET 3 OF 4

JGO-0051NL 4

NOTICE: THE INFORMATION AND DESIGN CONTAINED HEREIN IS THE PROPERTY OF PULSE WHO RESERVES ALL RIGHTS THERETO.

D

C

B

A

3

2

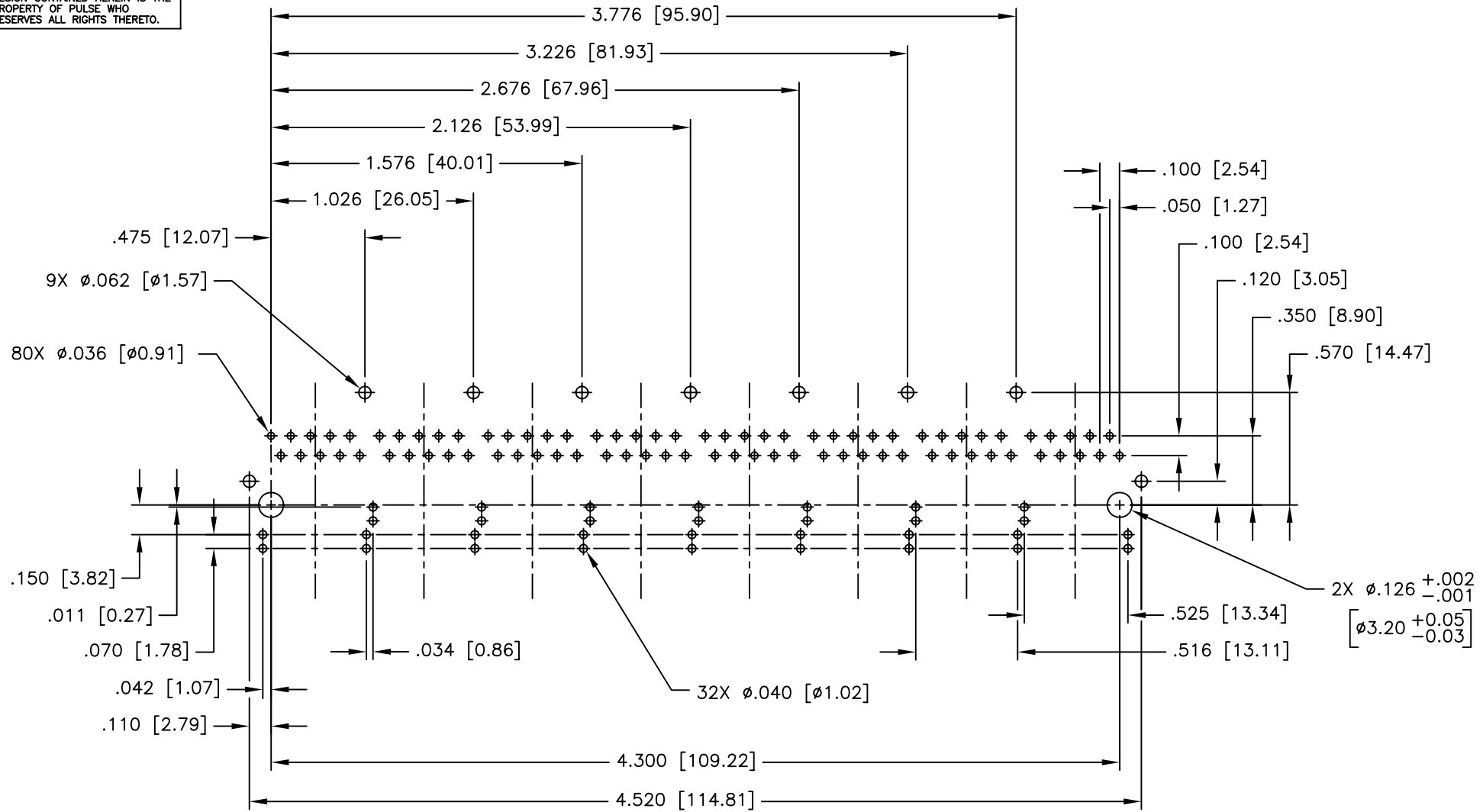
1

D

C

B

A



SUGGESTED FOOTPRINT (COMPONENT SIDE SHOWN)  
 DIMENSIONAL TOLERANCE: (UNLESS OTHERWISE SPECIFIED)  
 .XXX ±.003 [X.XX ±0.08]

UNLESS OTHERWISE SPECIFIED, ALL DIMENSIONS ARE IN INCHES TOLERANCES ARE:  
 DECIMALS: .XX ±.01, .XXX ±.005  
 ANGLES: 4.  
 DO NOT SCALE DRAWING

SIZE	CAGE CODE	DWG. NO.	REV
SCALE	B01961	JGO-0051NL	X1
2/1	CADD FILE	JGO-0051NL-4	SHEET 4 OF 4

4

3

2

1