



Chipsmall Limited consists of a professional team with an average of over 10 year of expertise in the distribution of electronic components. Based in Hongkong, we have already established firm and mutual-benefit business relationships with customers from,Europe,America and south Asia,supplying obsolete and hard-to-find components to meet their specific needs.

With the principle of "Quality Parts,Customers Priority,Honest Operation,and Considerate Service",our business mainly focus on the distribution of electronic components. Line cards we deal with include Microchip,ALPS,ROHM,Xilinx,Pulse,ON,Everlight and Freescale. Main products comprise IC,Modules,Potentiometer,IC Socket,Relay,Connector.Our parts cover such applications as commercial,industrial, and automotives areas.

We are looking forward to setting up business relationship with you and hope to provide you with the best service and solution. Let us make a better world for our industry!



Contact us

Tel: +86-755-8981 8866 Fax: +86-755-8427 6832

Email & Skype: info@chipsmall.com Web: www.chipsmall.com

Address: A1208, Overseas Decoration Building, #122 Zhenhua RD., Futian, Shenzhen, China



JG0-0129NL

4

3

2

1

NOTICE: THE INFORMATION AND DESIGN CONTAINED HEREIN IS THE PROPERTY OF PULSE WHO RESERVES ALL RIGHTS THERETO.

ELECTRICAL CHARACTERISTICS AT 25°C

PARAMETER	SPECIFICATIONS	
	INSERTION LOSS	100 KHz
	-1.2 dB MAX	-0.2-0.002*f ^{1.4} dB MAX
RETURN LOSS, 1000BT (Z OUT = 100 OHM)	.1-40 MHz	40-100 MHz
	-18 dB MIN	-12+20*LOG ₁₀ (f/80 MHz) dB MIN
INDUCTANCE (OCL) (MEDIA SIDE, 0°C-70°C)	350 uH MIN (MEASURED AT 100 KHz, 100 mVRMS AND WITH 8 mA DC BIAS)	
CROSSTALK, ADJACENT CHANNELS	1 MHz	10-100 MHz
	-40 dB MIN	-40+10*LOG ₁₀ (f/10) dB MIN
COMMON MODE REJECTION RATIO	2 MHz	30-200 MHz
	-50 dB MIN	-15+20*LOG ₁₀ (f/200) dB MIN
INPUT - OUTPUT ISOLATION	2250 VDC FOR 60 SECONDS	

NOTE: f IS FREQUENCY IN MHz.

EMMITTED COLOR	GREEN	YELLOW
WAVELENGTH (nm)	568 nm	585 nm
BRIGHTNESS - TYP (mCD)	8.5	6
If (mA)	20	20
VIEWING ANGLE	100°	100°
POWER DISSIPATION (Pd)	100 mW MAX	100 mW MAX
PEAK FORWARD CURRENT(10 uS PULSE)	150 mA MAX	150 mA MAX
FORWARD VOLTAGE (Vr) (if = 20mA)	2.2 TO 2.6 VOLTS	2.1 TO 2.6 VOLTS

NOTE: PER VENDOR'S SPECIFICATION

D

D

C

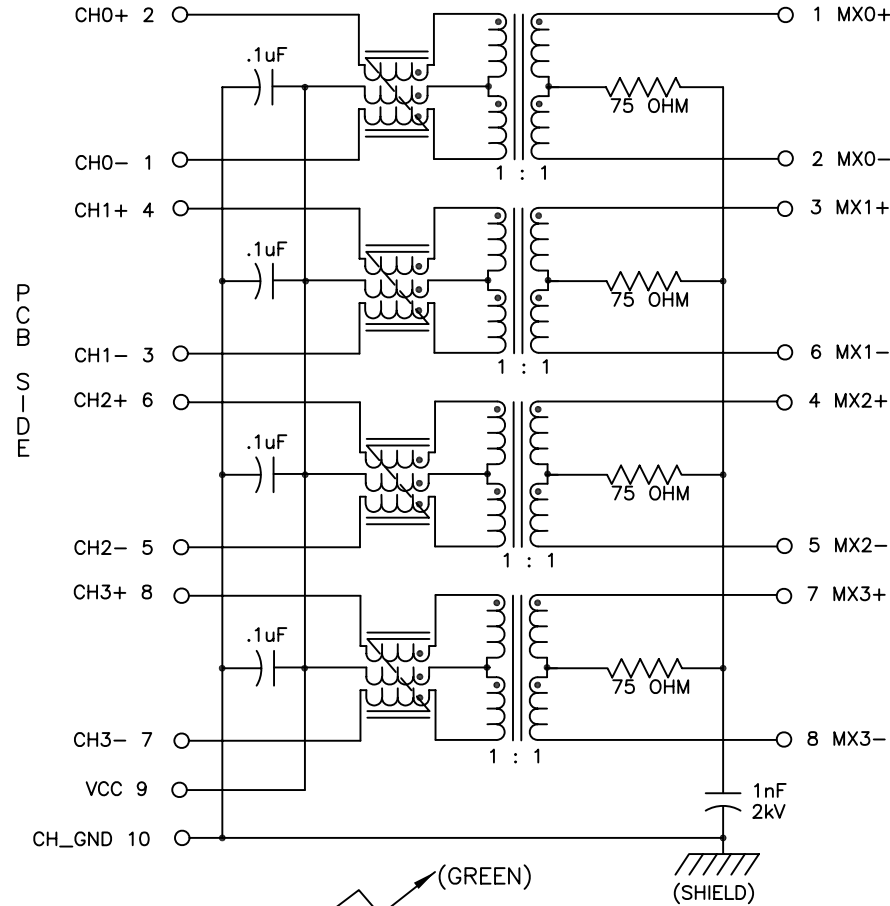
C

B

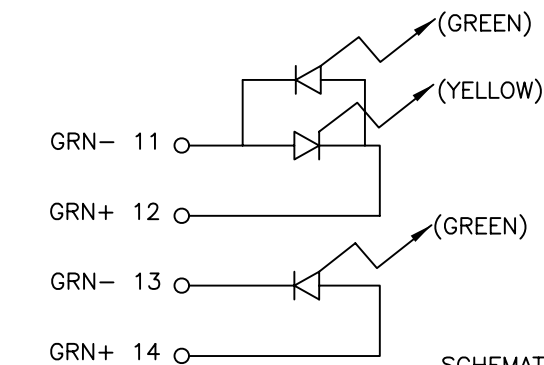
B

A

A



CABLE SIDE



SCHEMATIC

NOTICE: THIS IS A RoHS COMPLIANT COMPONENT/PRODUCT. ALL ENGINEERING CHANGES MUST HAVE PRIOR APPROVAL BY THE DESIGN CENTER.

RoHS

UNLESS OTHERWISE SPECIFIED, ALL DIMENSIONS ARE IN INCHES. TOLERANCES ARE:
 DECIMALS .XX ±.01 ANGLES ± 1°
 .XXX ±.005
 DO NOT SCALE DRAWING

SIZE	CAGE CODE	DWG. NO.	REV.
B01961	JG0-0129NL	X1	
SCALE	CADD FILE	SHEET	OF
NONE	JG0-0129NL-1	1	4

4

3

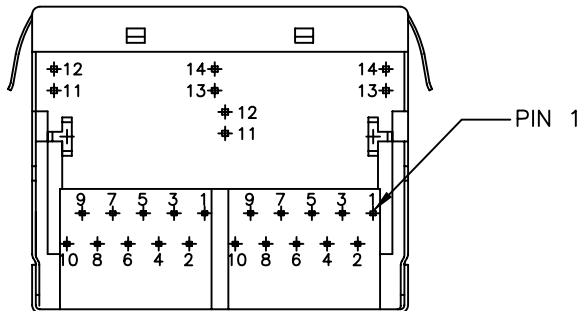
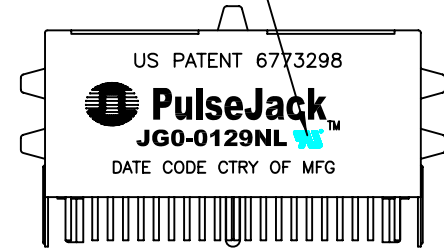
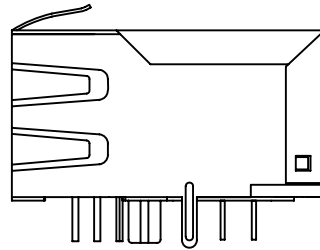
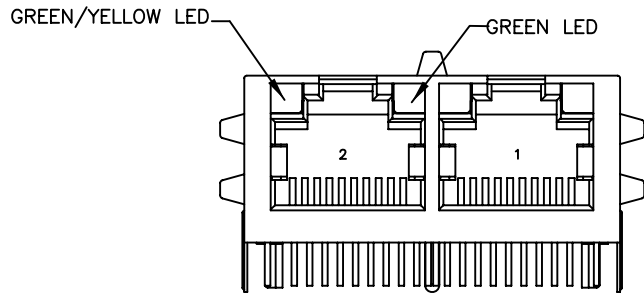
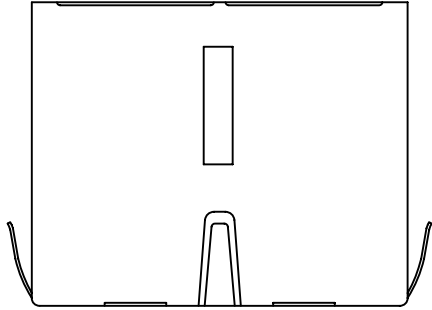
2

1

JG0-0129NL

NOTICE: THE INFORMATION AND DESIGN CONTAINED HEREIN IS THE PROPERTY OF PULSE WHO RESERVES ALL RIGHTS THERETO.

FINAL OUTLINE NOTE:
CHECK DIMENSIONS PER PACKAGE SPECIFICATION, ITEM 10.



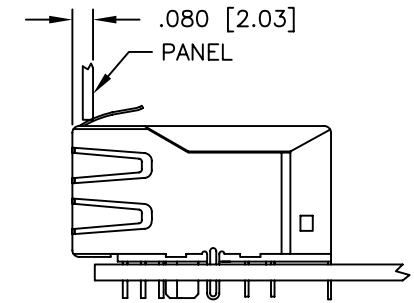
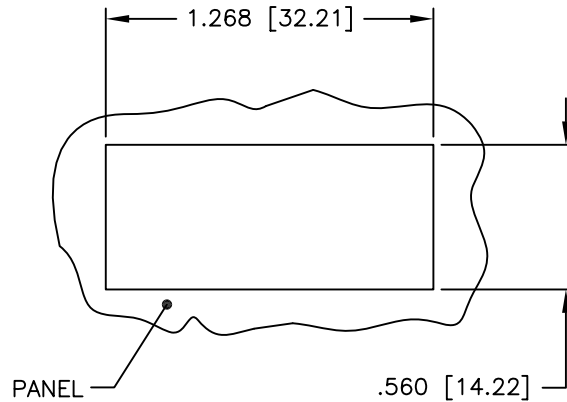
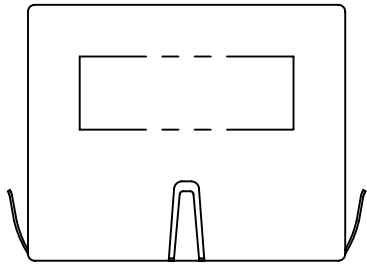
BOTTOM VIEW

UNLESS OTHERWISE SPECIFIED, ALL DIMENSIONS ARE IN INCHES
TOLERANCES ARE:
DECIMALS ANGLES
.XX ±.01 ± 1°
.XXX ±.005
DO NOT SCALE DRAWING

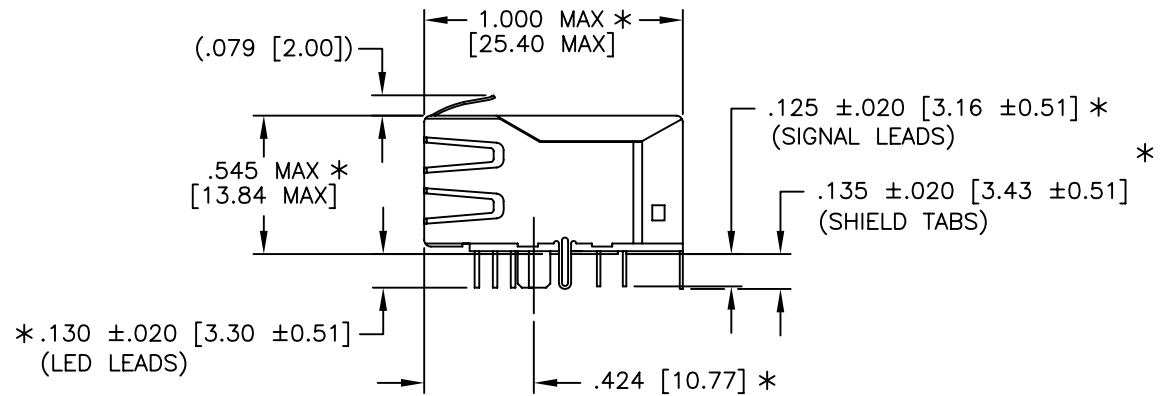
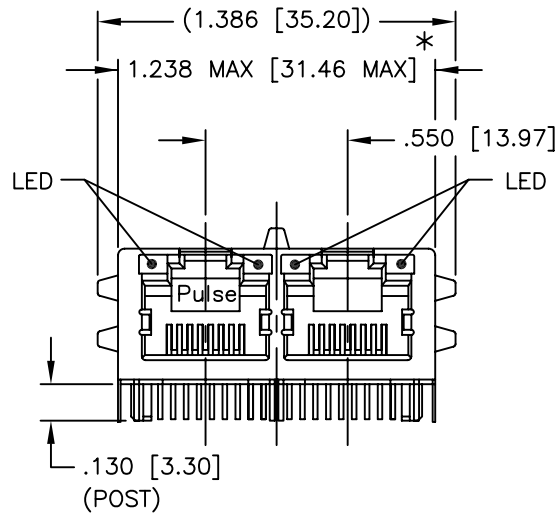
SIZE	CAGE CODE	DWG. NO.	REV.
B01961		JG0-0129NL	X1
SCALE	CADD FILE	JG0-0129NL-2	SHEET 2 OF 4
NONE			

JG0-0129NL

NOTICE: THE INFORMATION AND DESIGN CONTAINED HEREIN IS THE PROPERTY OF PULSE WHO RESERVES ALL RIGHTS THERETO.



SUGGESTED PANEL CUTOUT



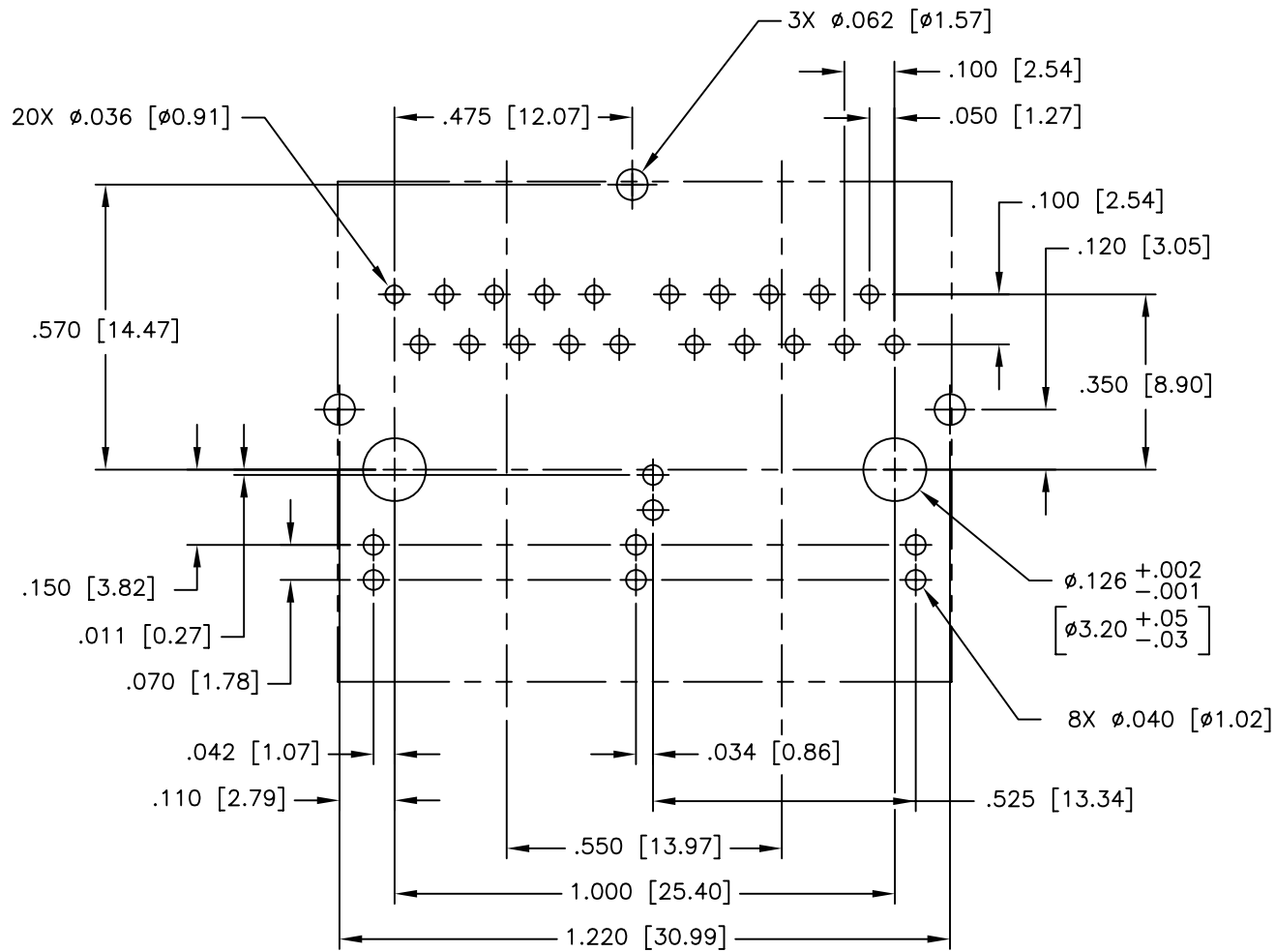
*.130 ±.020 [3.30 ±.51] (LED LEADS)

UNLESS OTHERWISE SPECIFIED, ALL DIMENSIONS ARE IN INCHES
TOLERANCES ARE:
DECIMALS
XX ±.01
XXX ±.005
ANGLES
3°
DO NOT SCALE DRAWING

SIZE	CAGE CODE	DWG. NO.	REV
SCALE 2/1	B01961	JG0-0129NL	X1
CADD FILE JG0-0129NL-3		SHEET 3 OF 4	

JG0-0129NL

NOTICE: THE INFORMATION AND DESIGN CONTAINED HEREIN IS THE PROPERTY OF PULSE WHO RESERVES ALL RIGHTS THERETO.



SUGGESTED FOOTPRINT (COMPONENT SIDE SHOWN)
 DIMENSIONAL TOLERANCE: (UNLESS OTHERWISE SPECIFIED)
 .XXX ± 0.003 [X.XX ± 0.08]

UNLESS OTHERWISE SPECIFIED, ALL DIMENSIONS ARE IN INCHES
 TOLERANCES ARE:
 DECIMALS: $\begin{matrix} \text{XX} & \pm 0.01 \\ \text{XXX} & \pm 0.005 \end{matrix}$
 ANGLES: $\begin{matrix} \pm 1^\circ \\ \pm 1^\circ \\ 3 \end{matrix}$
 DO NOT SCALE DRAWING

SIZE	CAGE CODE	DWG. NO.	REV
B01961		JG0-0129NL	X1
SCALE	CADD FILE	SHEET	
4/1	JG0-0129NL-4	4 OF 4	