



Chipsmall Limited consists of a professional team with an average of over 10 year of expertise in the distribution of electronic components. Based in Hongkong, we have already established firm and mutual-benefit business relationships with customers from,Europe,America and south Asia,supplying obsolete and hard-to-find components to meet their specific needs.

With the principle of “Quality Parts,Customers Priority,Honest Operation,and Considerate Service”,our business mainly focus on the distribution of electronic components. Line cards we deal with include Microchip,ALPS,ROHM,Xilinx,Pulse,ON,Everlight and Freescale. Main products comprise IC,Modules,Potentiometer,IC Socket,Relay,Connector.Our parts cover such applications as commercial,industrial, and automotives areas.

We are looking forward to setting up business relationship with you and hope to provide you with the best service and solution. Let us make a better world for our industry!



## Contact us

Tel: +86-755-8981 8866 Fax: +86-755-8427 6832

Email & Skype: info@chipsmall.com Web: www.chipsmall.com

Address: A1208, Overseas Decoration Building, #122 Zhenhua RD., Futian, Shenzhen, China



# PULSEJACK™



## Low Profile 1x2 Gigabit Tab-Up

### Description:




Gigabit (10/100/1000Base-T) dual port RJ45 (1x2) Tab-UP integrated magnetics connector, designed to support applications, such as Servers, PCI-Express, and Switches.



### Features and Benefits:

-  RoHS peak wave solder temperature rating 260°C
-  Low height and small footprint to minimize board space

### Electrical Performance Summary:

-  Meets IEEE 802.3 specification
-  350µH minimum OCL with 8mA bias current
-  High performance for maximum EMI suppression

### Electrical Specifications @ 25°C — Operating Temperature 0°C to +70°C

Part Number	LEDs <sup>1</sup>	Speed	EMI Tabs	Insertion Loss TX/RX (dB)	Return Loss (dB TYP) 100Ω (±15Ω)					Crosstalk (dB TYP)			Common Mode Rejection (dB TYP)	Hipot (MIN)
					1-100 MHz	1-10 MHz	30 MHz	60-80 MHz	80-100 MHz	1-10 MHz	32-65 MHz	65-100 MHz		
JGL-0001NL	G/G	10/100/1000BT	Yes	-1.2	-18	-18	-12	-10	-40	-35	-30	-30	1500Vrms	
JGL-0004NL	G/G-A	10/100/1000BT	Yes	-1.0	-18	-18	-12	-10	-40	-35	-30	-30	1500Vrms	

Notes: 1. LEDs Left/Right: G = green, G-A = green-amber

### RJ45 Durability Testing Rating

Part Number	Mating Force (MAX)	Unmating Force (MAX)	Durability	Plug to Jack Retention (MIN)
JGL Series	5 lbs./2.268 kgs.	5 lbs./2.268 kgs.	750 Insertions	20 lbs./9.072 kgs.

### RJ45 Material Specification

Part Number	Shield		Contact			Housing		MSL <sup>2</sup> Rating
	Material	Finish	Material	Plating Area	Solder Area	Material	Specification	
JGL Series	Brass	30-50µ inches thick nickel over brass	Phosphor Bronze	50µ inches gold over 50µ inches nickel	Tin matte finish over nickel	Thermoplastic	UL 94 V-0	1

Notes: 1. Connector dimensions comply with FCC dimension requirements.

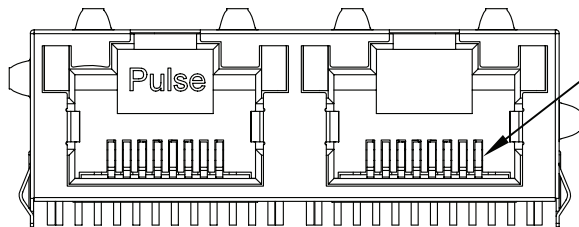
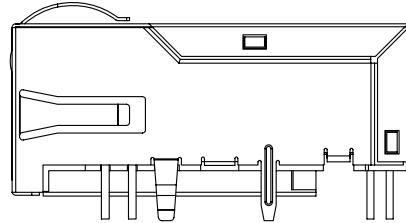
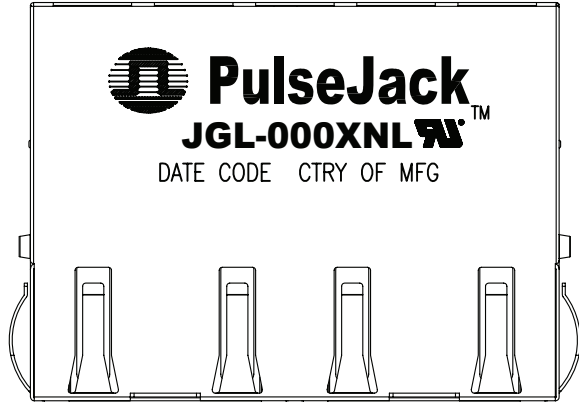
2. MSL - Moisture Sensitivity Level

# PULSEJACK™

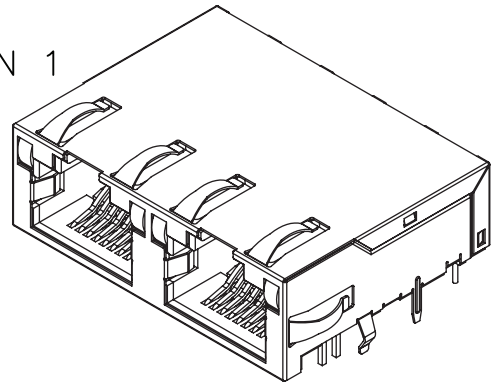
## Low Profile 1x2 Gigabit Tab-Up

### Mechanicals

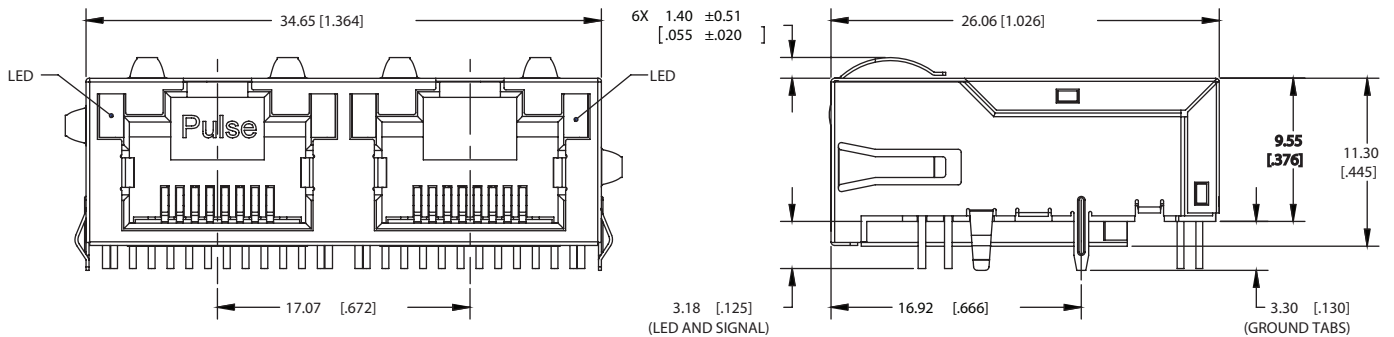
**JGL-0001NL/-0004NL**



PIN 1



ISOMETRIC VIEW  
(FOR REFERENCE ONLY)



ALL DIMENSIONS ARE SHOWN IN METRIC.  
DIMENSIONS SHOWN IN BRACKETS ARE  
INCHES. UNLESS OTHERWISE SPECIFIED,  
THE FOLLOWING TOLERANCE APPLY:

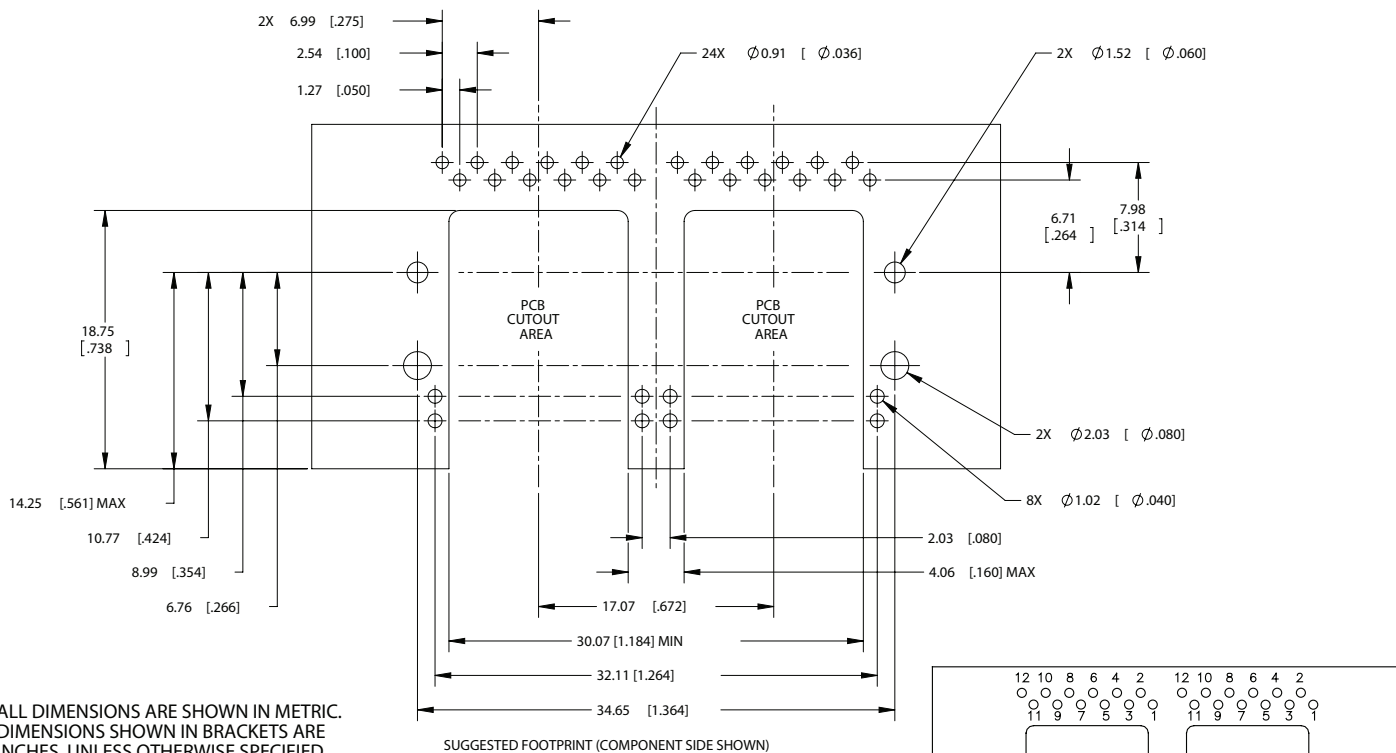
X.XX [.XXX] = ±0.25 [ ±.010]



# PULSEJACK™

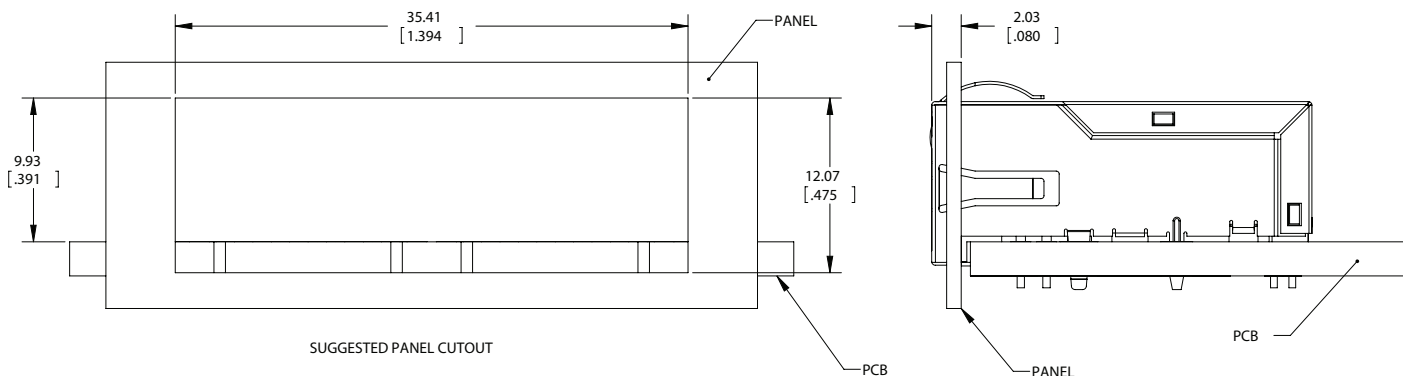
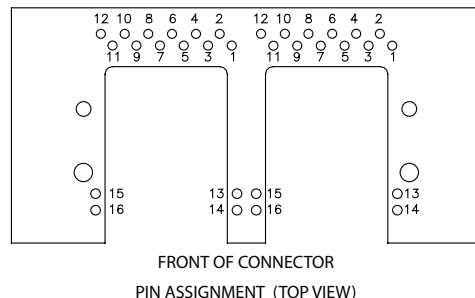
## Low Profile 1x2 Gigabit Tab-Up

### Mechanicals (cont.)



ALL DIMENSIONS ARE SHOWN IN METRIC.  
DIMENSIONS SHOWN IN BRACKETS ARE  
INCHES. UNLESS OTHERWISE SPECIFIED,  
THE FOLLOWING TOLERANCE APPLY:

$$X.XX [.XXX] = \pm 0.08 [ \pm .003 ]$$



ALL DIMENSIONS ARE SHOWN IN METRIC.  
DIMENSIONS SHOWN IN BRACKETS ARE  
INCHES. UNLESS OTHERWISE SPECIFIED,  
THE FOLLOWING TOLERANCE APPLY:

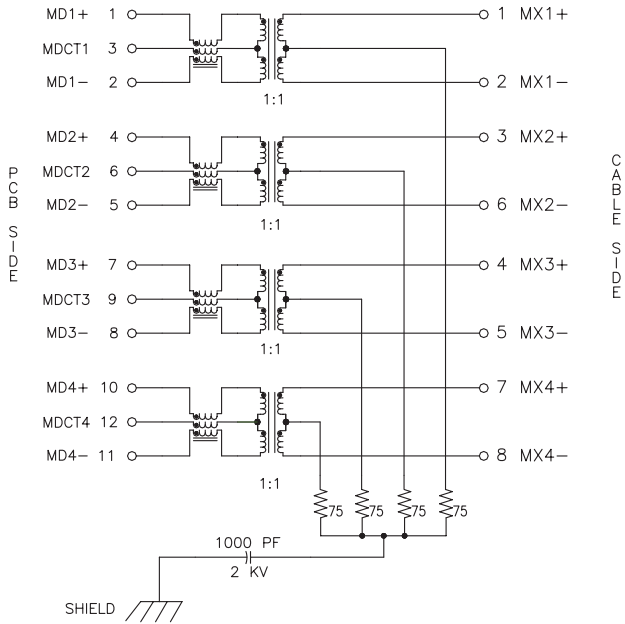
$$X.XX [.XXX] = \pm 0.10 [ \pm .004 ]$$

# PULSEJACK™

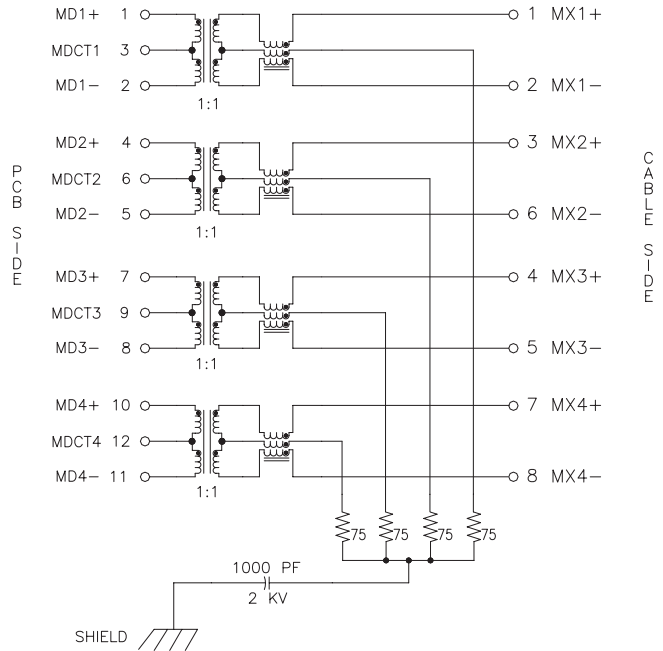
## Low Profile 1x2 Gigabit Tab-Up

### Schematics

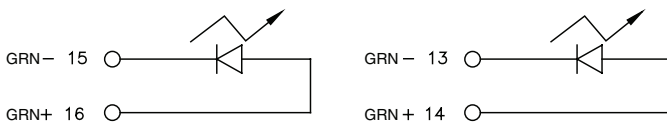
**JGL-0001NL**



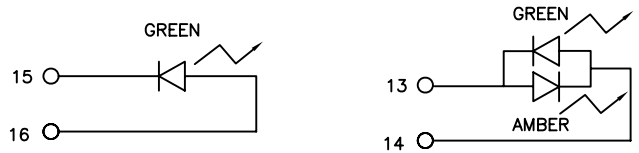
**JGL-0004NL**



**JGL-0001NL LEDs**



**JGL-0004NL LEDs**



EMMITTED COLOR	GREEN
WAVELENGTH (nm)	565
POWER DISSIPATION (Pd)	105 mW MAX
DC FORWARD CURRENT	25 mA MAX
FORWARD VOLTAGE (VF) @ 20 mA	2.2V TYP

NOTE: PER VENDOR'S SPECIFICATION

EMMITTED COLOR	GREEN	AMBER	GREEN
WAVELENGTH (nm)	565	607	565
POWER DISSIPATION (Pd)	105 mW MAX	105 mW MAX	105 mW MAX
DC FORWARD CURRENT	25 mA MAX	30 mA MAX	25 mA MAX
FORWARD VOLTAGE (VF) @ 20 mA	2.2V TYP	2.15V TYP	2.2V TYP

NOTE: PER VENDOR'S SPECIFICATION

BICOLOR

### For More Information:

**Pulse Worldwide Headquarters**

12220 World Trade Dr.  
San Diego, CA 92128  
U.S.A.

[www.pulseeng.com](http://www.pulseeng.com)

Tel: 858 674 8100

Fax: 858 674 8262

**Pulse Europe**

Einsteinstrasse 1  
D-71083 Herrenberg  
Germany

Tel: 49 7032 7806 0

Fax: 49 7032 7806 135

**Pulse China Headquarters**

B402, Shenzhen Academy of  
Aerospace Technology Bldg.  
10th Kejian Rd.  
High-Tech Zone  
Nanshan District  
Shenzen, PR China 518057

Tel: 86 755 33966678

Fax: 86 755 33966700

**Pulse North China**

Room 2704/2705  
Super Ocean Finance  
Ctr.  
2067 Yan An Rd. West  
Shanghai 200336  
China

Tel: 86 21 62787060

Fax: 86 2162786973

**Pulse South Asia**

135 Joo Seng Rd.  
#03-02  
PM Industrial Bldg.  
Singapore 368363

Tel: 65 6287 8998

Fax: 65 6287 8998

**Pulse North Asia**

3F, No. 198  
Zhongyuan Rd.  
Zhongli City  
Taoyuan County 320  
Taiwan R. O. C.

Tel: 886 3 4356768

Fax: 886 3 4356823 (Pulse)  
Fax: 886 3 4356820 (FRE)

Performance warranty of products offered on this data sheet is limited to the parameters specified. Data is subject to change without notice. Other brand and product names mentioned herein may be trademarks or registered trademarks of their respective owners. © Copyright, 2009. Pulse Engineering, Inc. All rights reserved.