



Chipsmall Limited consists of a professional team with an average of over 10 year of expertise in the distribution of electronic components. Based in Hongkong, we have already established firm and mutual-benefit business relationships with customers from,Europe,America and south Asia,supplying obsolete and hard-to-find components to meet their specific needs.

With the principle of “Quality Parts,Customers Priority,Honest Operation,and Considerate Service”,our business mainly focus on the distribution of electronic components. Line cards we deal with include Microchip,ALPS,ROHM,Xilinx,Pulse,ON,Everlight and Freescale. Main products comprise IC,Modules,Potentiometer,IC Socket,Relay,Connector.Our parts cover such applications as commercial,industrial, and automotives areas.

We are looking forward to setting up business relationship with you and hope to provide you with the best service and solution. Let us make a better world for our industry!



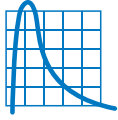
Contact us

Tel: +86-755-8981 8866 Fax: +86-755-8427 6832

Email & Skype: info@chipsmall.com Web: www.chipsmall.com

Address: A1208, Overseas Decoration Building, #122 Zhenhua RD., Futian, Shenzhen, China





Waterproof IP68 Temperature Sensor

Thermometrics Overmolded Type JI & JIC NTC Thermistor



NTC Type JI

Temperature Sensor Type JI : The NTC thermistor is molded onto a flexible circular cable. Tip and outer cable insulation material is thermoplastic elastomer rubber. The tinned copper conductors have individual polypropylene insulation.

Features

- Waterproof to IP68
- Withstands freeze/thaw cycling
- Range of wire lengths 300 to 5000mm (11.8in to 16.4ft)
- Halogen free cable
- Sensor tip and extension cable moulded together as one hot vulcanised unit
- RoHS compliant



NTC Type JIC

Temperature Sensor Type JIC : The NTC thermistor is moulded onto a flexible circular cable housed in stainless steel. The tip and outer cable insulation material is thermoplastic elastomer rubber. The tinned copper conductors have individual polypropylene insulation.

Applications

- Ventilation
- Refrigeration
- Heat pumps
- Water heaters
- Weather stations
- Outdoor temperature measurement
- Under-floor heating
- Fish tanks
- Evaporators

Options

- Other resistance - temperature characteristics
- Other wire lengths
- Other housing lengths

NTC Type JI & JIC Specifications

Coding

Resistance characteristic and wire length are specified by the product code as per the table below:

Code Type

JI Double Insulated Sensor with rubber tip
 JIC Double Insulated Sensor with Stainless Steel Housing

Code Type

103C1R2 NK103C1R2

F103W DC95F103WN

Code Wire Length WL mm (in)

L301 300 (11.8) ± 10 (0.4)

L102 1000 (39.4) ± 20 (0.8)

L252 2500 (98.4) ± 50 (2.0)

J - - - Typical model number

Other wire lengths are available for quantities > 5000 pieces

Data

Temperature range: -50°C to +105°C (-58°F to 221°F) continuous.
 (125°C/257°F up to maximum 6 hours)

Dielectric strength: 3750V AC

Insulation resistance: >100MΩ at 1000V DC

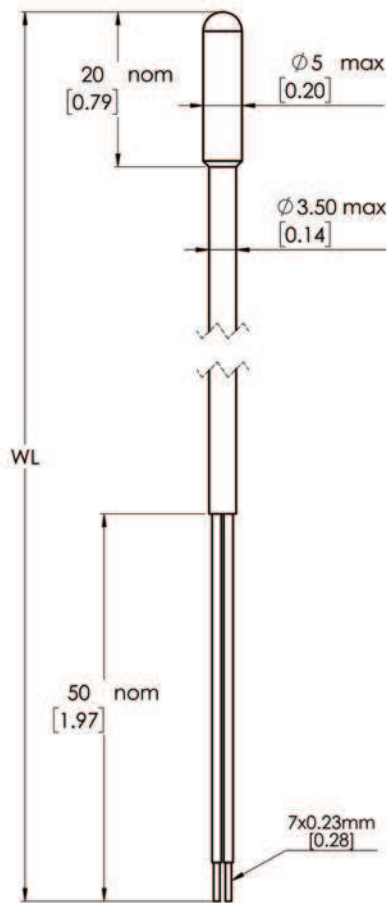
Cable type: 2 x 0.30mm² (23 AWG)

Wire conductors: 7 x 0.23mm diameter (0.30mm²)

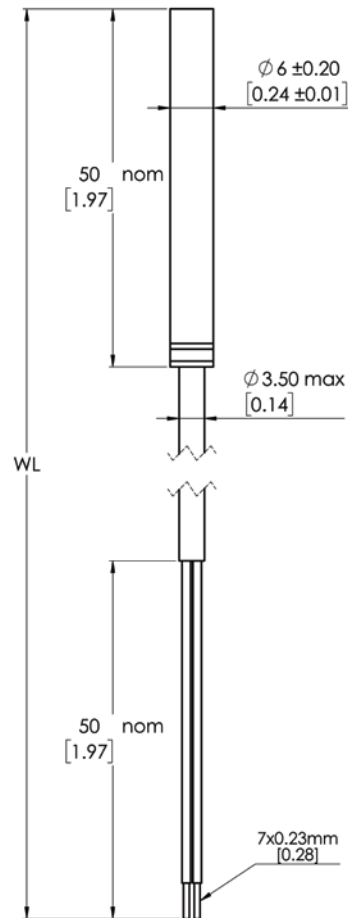
NK103C1R2:
 R25°C = 10kΩ ± 2% (R77°F)
 B value 25/85°C (R77/185°F) = 3977K
 Material 1

DC95F103WN:
 R25°C = 10kΩ (R77°F)
 Tolerance 0°C - 70°C = ±0.2°C
 (32°F to 158°F = +/- 0.36°F)
 B value 25/85°C (R77/185°F) = 3969K
 Material F

RVT Table : Data refer to Document : AAS-913-318



NTC Type JI - Dimensions



NTC Type JIC - Dimensions