



Chipsmall Limited consists of a professional team with an average of over 10 year of expertise in the distribution of electronic components. Based in Hongkong, we have already established firm and mutual-benefit business relationships with customers from,Europe,America and south Asia,supplying obsolete and hard-to-find components to meet their specific needs.

With the principle of “Quality Parts,Customers Priority,Honest Operation,and Considerate Service”,our business mainly focus on the distribution of electronic components. Line cards we deal with include Microchip,ALPS,ROHM,Xilinx,Pulse,ON,Everlight and Freescale. Main products comprise IC,Modules,Potentiometer,IC Socket,Relay,Connector.Our parts cover such applications as commercial,industrial, and automotives areas.

We are looking forward to setting up business relationship with you and hope to provide you with the best service and solution. Let us make a better world for our industry!



Contact us

Tel: +86-755-8981 8866 Fax: +86-755-8427 6832

Email & Skype: info@chipsmall.com Web: www.chipsmall.com

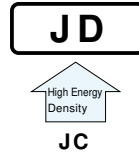
Address: A1208, Overseas Decoration Building, #122 Zhenhua RD., Futian, Shenzhen, China



JD series

Screw Terminal Type, High Energy Density Type

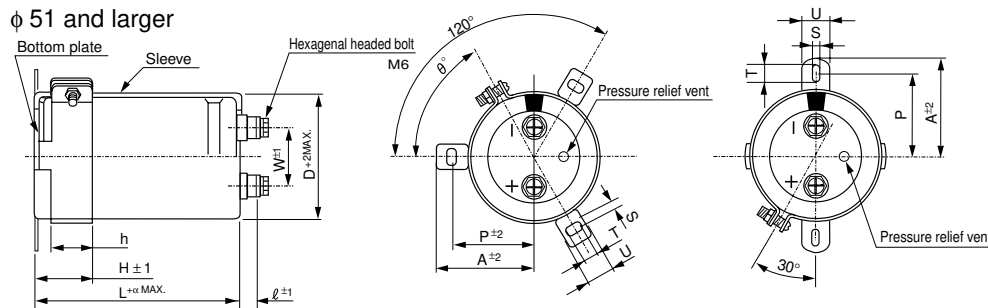
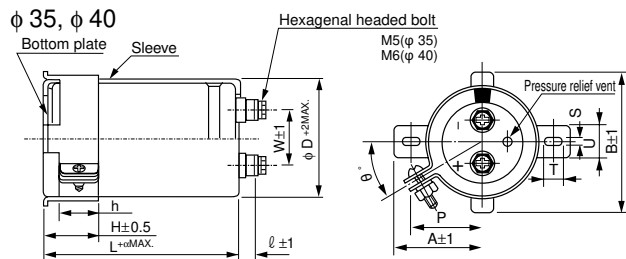
- High energy density.
- Suitable for electric power storage.
- Available for adapted to the RoHS directive (2002/95/EC).



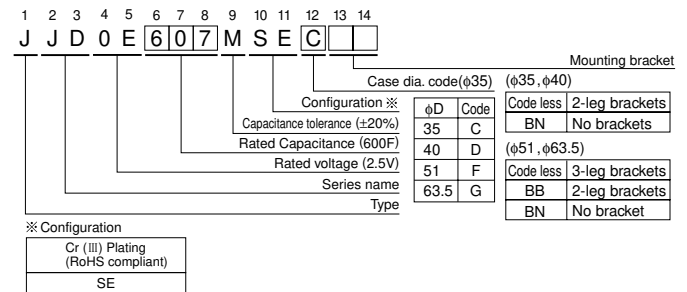
Specifications

Item	Performance Characteristics		
Category Temperature Range	- 25 to + 60°C		
Rated Voltage Range	2.5V		
Rated Capacitance Range	600 to 4000F See Note		
Capacitance Tolerance	± 20% (20°C)		
Leakage Current	0.5C (mA) [C : Rated Capacitance (F)] (After 30 minutes' application of rated voltage. 2.5V)		
Stability at Temperature	Capacitance (- 25°C) /Capacitance (+20°C) ×100 ≥ 70% DCR(-25°C) / DCR (+20°C) ≤ 7		
DCR*	Refer to the list below. (20°C) *DC internal resistance		
Endurance	The specifications listed at right shall be met when the capacitors are restored to 20°C after the rated voltage is applied for 2000 hours at 60°C.	Capacitance change	Within ±30% of initial value
		DCR	300% or less of initial specified value
		Leakage current	Less than or equal to the initial specified value
Shelf Life	The specifications listed at right shall be met when the capacitors are restored to 20°C after storing the capacitors under no load for 2000 hours at 60°C.	Capacitance change	Within ±30% of initial value
		DCR	300% or less of initial specified value
		Leakage current	Less than or equal to the initial specified value
Marking	Printed with white color letter on black sleeve.		

Drawing



Type numbering system (Example : 2.5V 600F)



Dimensions

Rated Voltage (Code)	Cap. (F)	Cap. code	DCR (mΩ)	Case size		Ref. Weight (g)
				φ (mm)	L (mm)	
2.5V (0E)	600	607	16	35	85	130
	800	807	13		105	160
	950	957	10		135	210
	1000	108	10		105	210
	1300	138	8	51	135	250
	2300	238	5		135	450
	2500	258	4		150	500
	4000	408	3		63.5	150

Dimensions of terminal pitch(W) and length(ℓ) and Normal dia. of bolt (mm)

φ D	W	ℓ	α	Nominal of bolt
35	12.7	6	3	M5
40	18.8	9	3	M6
51	22.0	10	3	M6
63.5	28.6	10	3	M6

Dimensions of mounting bracket (mm)

Symbol	φ D	3-Legs		2-Legs			
		51	63.5	35	40	51	63.5
P		32.5	38.1	24	27	33.2	40.5
A		38.5	43	29	32	40	46.5
B		-	-	45	48	-	-
T		7.5	8.0	7.0	7.0	6.0	7.0
S		5.0	5.0	3.5	3.5	4.5	4.5
U		12	14	10	10	14	14
θ°		60	60	30	45	30	30
H		20	25	15	17	25	35
h		15	20	10	12	15	20

Note :

The capacitance calculated from discharge time (ΔT) with constant current (i) after 30minute charge with rated voltage (2.5V).

The discharge current (i) is 0.01 × F (rated capacitance).

A discharge time (ΔT) measured between 2V and 1V with constant current.

The capacitance calculated bellow.

$$\text{Capacitance (F)} = i \times \Delta T$$

CAT.8100X