



Chipsmall Limited consists of a professional team with an average of over 10 year of expertise in the distribution of electronic components. Based in Hongkong, we have already established firm and mutual-benefit business relationships with customers from,Europe,America and south Asia,supplying obsolete and hard-to-find components to meet their specific needs.

With the principle of “Quality Parts,Customers Priority,Honest Operation,and Considerate Service”,our business mainly focus on the distribution of electronic components. Line cards we deal with include Microchip,ALPS,ROHM,Xilinx,Pulse,ON,Everlight and Freescale. Main products comprise IC,Modules,Potentiometer,IC Socket,Relay,Connector.Our parts cover such applications as commercial,industrial, and automotives areas.

We are looking forward to setting up business relationship with you and hope to provide you with the best service and solution. Let us make a better world for our industry!



Contact us

Tel: +86-755-8981 8866 Fax: +86-755-8427 6832

Email & Skype: info@chipsmall.com Web: www.chipsmall.com

Address: A1208, Overseas Decoration Building, #122 Zhenhua RD., Futian, Shenzhen, China



THIS DRAWING IS UNPUBLISHED.

RELEASED FOR PUBLICATION

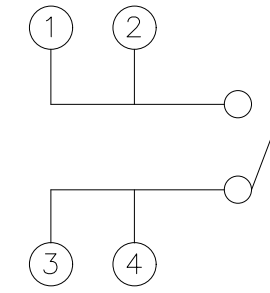
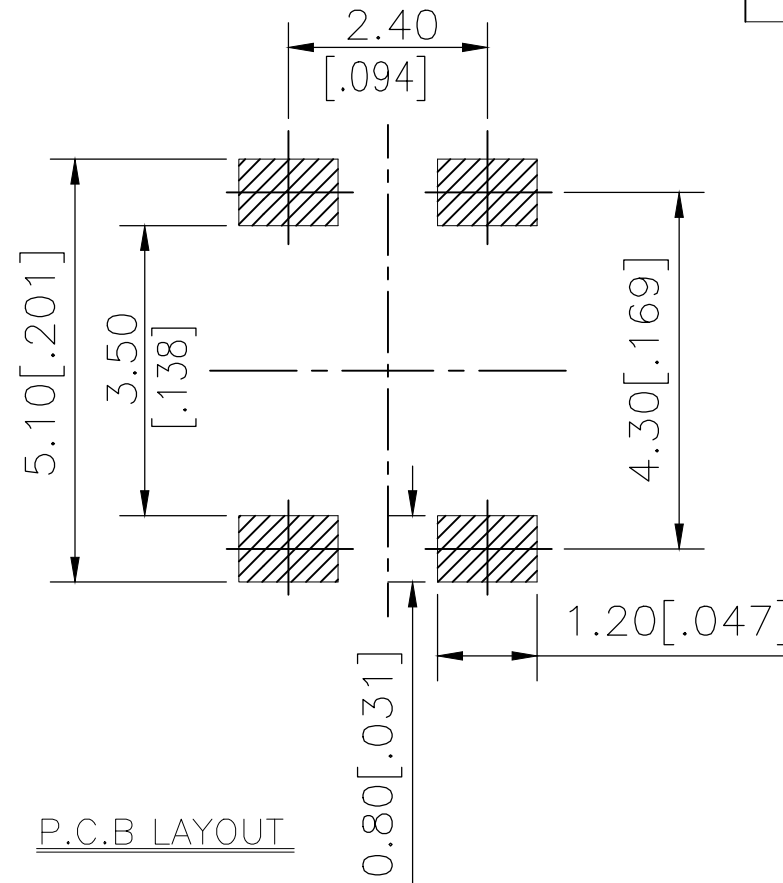
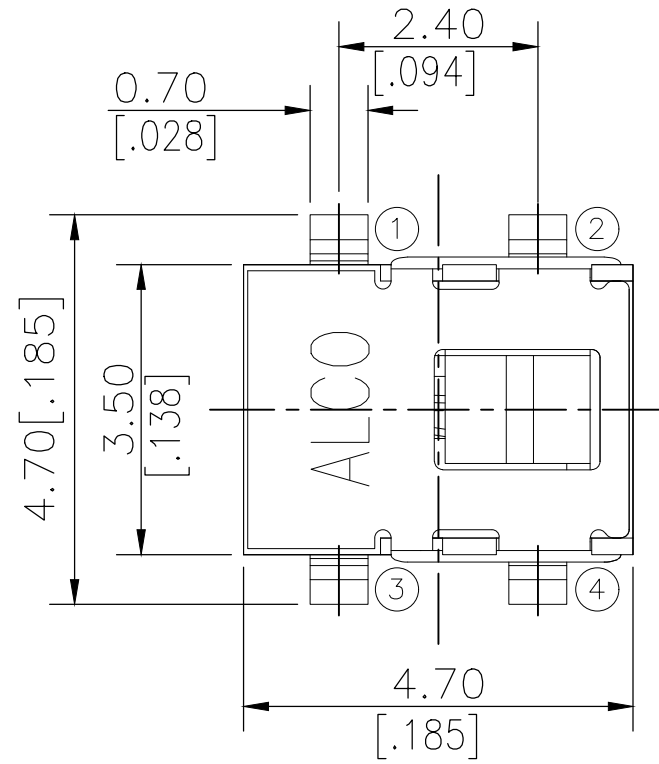
© COPYRIGHT - TE Connectivity Ltd.

ALL RIGHTS RESERVED.

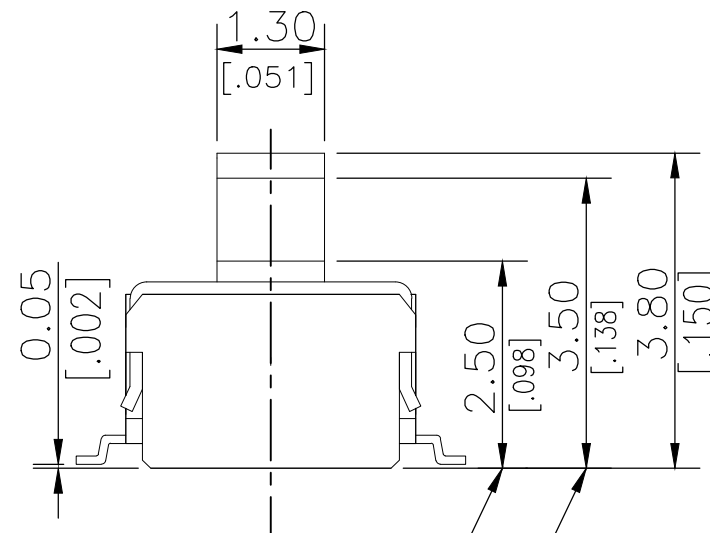
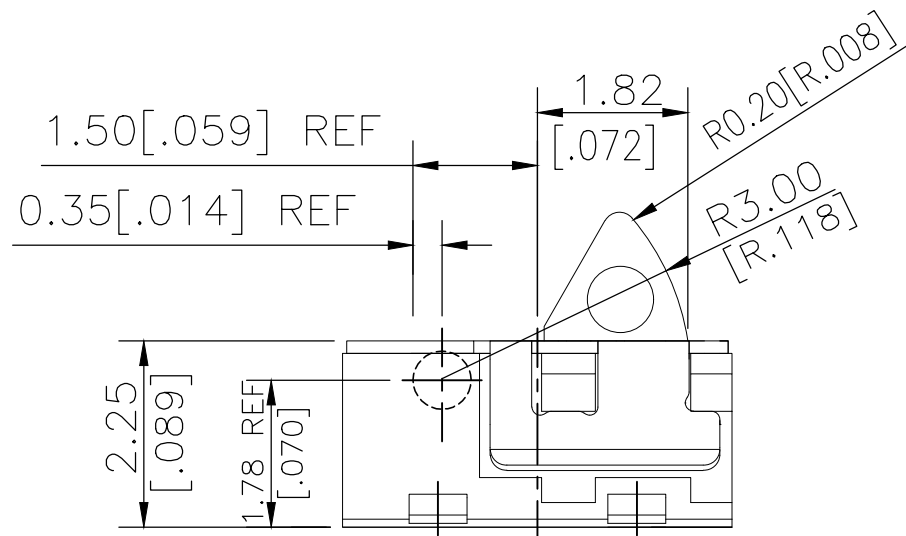
REVISIONS

P	LTR	DESCRIPTION	DATE	DWN	APVD
	A	ECR-18-012767	14AUG2018	DHC	AS

2331395-1
AS SHOWN



CIRCUIT DIAGRAM

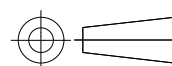


ON starting position

Total travel position

THIS DRAWING IS A CONTROLLED DOCUMENT.

DIMENSIONS:
mm [INCHES]



TOLERANCES UNLESS OTHERWISE SPECIFIED:

0 PLC	± -
1 PLC	± -
2 PLC	± 0.20 [.008]
3 PLC	± -
4 PLC	± -
ANGLES	± -
FINISH	-

MATERIAL

-

DWN 07MAR2018

GANESH C M

CHK 07MAR2018

ALEXANDER SHARPE

APVD 07MAR2018

ALEXANDER SHARPE

PRODUCT SPEC

-

APPLICATION SPEC

-

WEIGHT

-



TE Connectivity Ltd.

NAME

SWITCH, DETECTOR, JJE SERIES, 4.7X3.5mm,
VERTICAL, SMT

SIZE

CAGE CODE

DRAWING NO

RESTRICTED TO

A3 00779

C-2331395

CUSTOMER DRAWING

SCALE NTS

SHEET 1 of 3

REV A

THIS DRAWING IS UNPUBLISHED.

RELEASED FOR PUBLICATION

REVISIONS

© COPYRIGHT - TE Connectivity Ltd.

ALL RIGHTS RESERVED.

P	LTR	DESCRIPTION	DATE	DWN	APVD
-	-	SEE SHEET 1	-	-	-

NOTES:

1. MATERIALS

ACTUATOR: THERMOPLASTIC, BLACK
 BODY: THERMOPLASTIC, BLACK
 COVER: STAINLESS STEEL
 TERMINAL: COPPER ALLOY, SILVER PLATE
 CONTACT: STAINLESS STEEL, SILVER PLATE

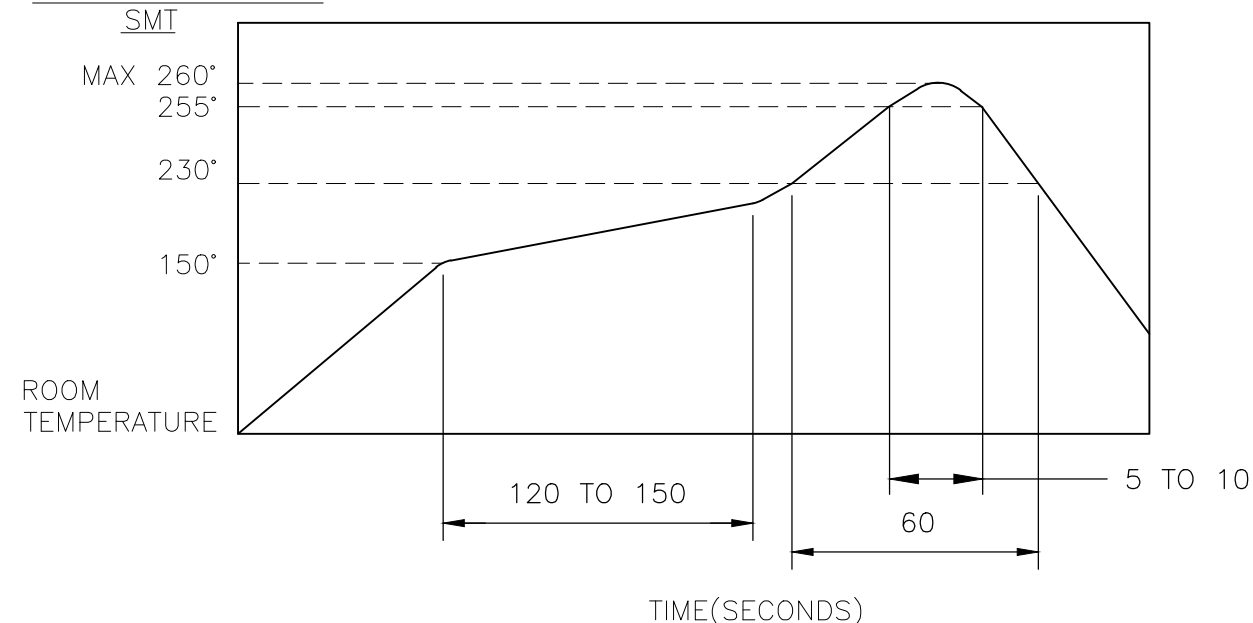
2. COMPLIANCE:

ALL MATERIALS AND FINISHES SHALL COMPLY WITH EU
 DIRECTIVE 2002/95/EC OF 27JAN2003(RoHS)

3. SPECIFICATIONS:

RATING: 10mA 5V DC
 CONTACT RESISTANCE: 1Ω MAXIMUM(INITIAL)
 INSULATION RESISTANCE: 100MΩ MINIMUM AT 100 V DC
 DIELECTRIC STRENGTH: 100 V AC, 1 MINUTE
 OPERATING LIFE: 100,000 CYCLES WITH LOAD
 TOTAL TRAVEL: 1.30 [.051]
 ACTUATION FORCE: 36gf MAXIMUM
 OPERATING TEMPERATURE: -40°C TO 85° C
 STORAGE TEMPERATURE: -40°C TO 85° C

4. SOLDER CONDITIONS:



THE CONDITION MENTIONED ABOVE IS THE TEMPERATURE ON THE CU FOIL OF THE PCB SURFACE. THERE ARE CASES WHERE THE BOARD'S TEMPERATURE GREATLY DIFFERS FROM THE SWITCH'S SURFACE. DO NOT ALLOW SWITCH'S SURFACE TEMPERATURE TO EXCEED 260°C

MANUAL SOLDERING

SOLDERING TEMPERATURE	MAX.350°C.
CONTINUOUS SOLDERING TIME	MAX. 5 SECONDS.

PRECAUTIONS IN HANDLING

1. CARE SHOULD BE EXERCISED SO THAT FLUX FROM THE UPPER PART OF THE PRINTED CIRCUIT BOARD DOES NOT ADHERE TO THE SWITCH.

JJEV0UG380NOHNMTR	2331395-1
SMART PART NUMBER	PART NUMBER

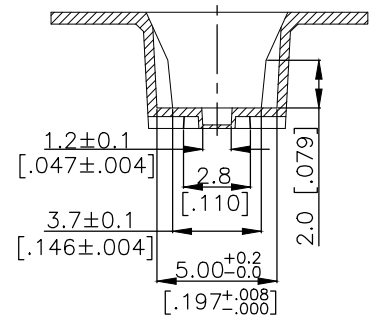
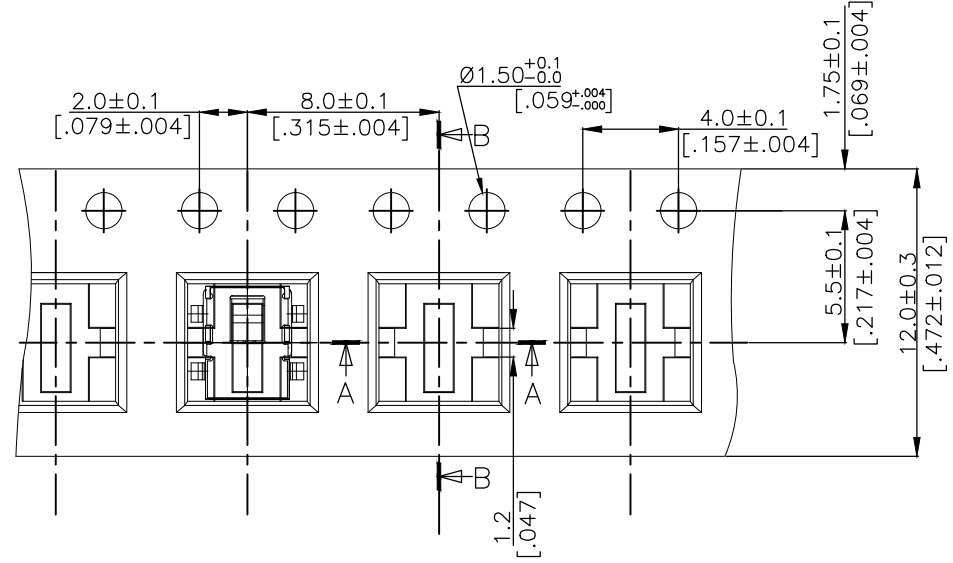
THIS DRAWING IS A CONTROLLED DOCUMENT.		DWN	07MAR2018	TE Connectivity Ltd.			
		CHK	07MAR2018				
		APVD	07MAR2018				
		NAME	ALEXANDER SHARPE				
DIMENSIONS:	TOLERANCES UNLESS OTHERWISE SPECIFIED:	PRODUCT SPEC		SWITCH, DETECTOR, JJE SERIES, 4.7X3.5mm, VERTICAL, SMT			
mm [INCHES]		APPLICATION SPEC		SIZE	CAGE CODE	DRAWING NO	RESTRICTED TO
	0 PLC ± -			A3	00779	C-2331395	-
	1 PLC ± -	WEIGHT		CUSTOMER DRAWING			SCALE
	2 PLC ± 0.20 [.008]						NTS
	3 PLC ± -						SHEET
	4 PLC ± -						2 OF 3
	ANGLES ± -						REV
MATERIAL	FINISH						A
-	-						

THIS DRAWING IS UNPUBLISHED. RELEASED FOR PUBLICATION
 © COPYRIGHT - TE Connectivity Ltd. ALL RIGHTS RESERVED.

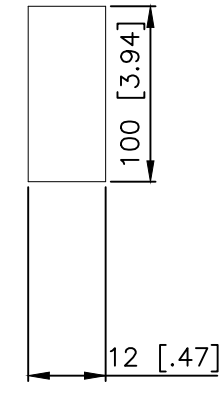
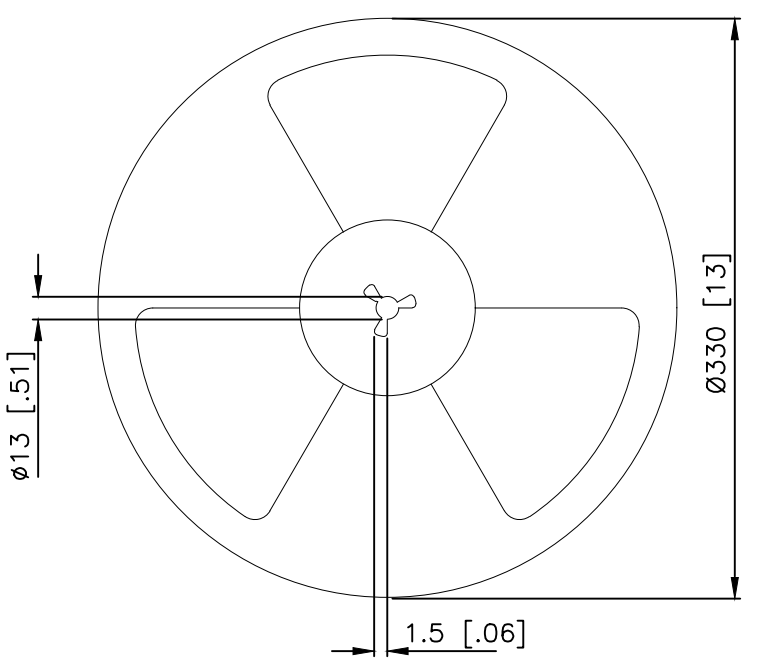
REVISIONS					
P	LTR	DESCRIPTION	DATE	DWN	APVD
-	-	SEE SHEET 1	-	-	-

PACKAGING:
 1800 SWITCHES PER REEL

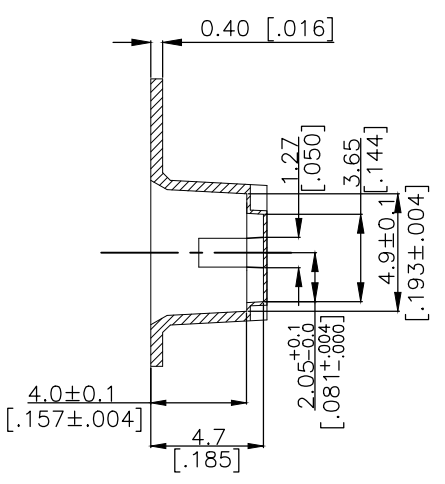
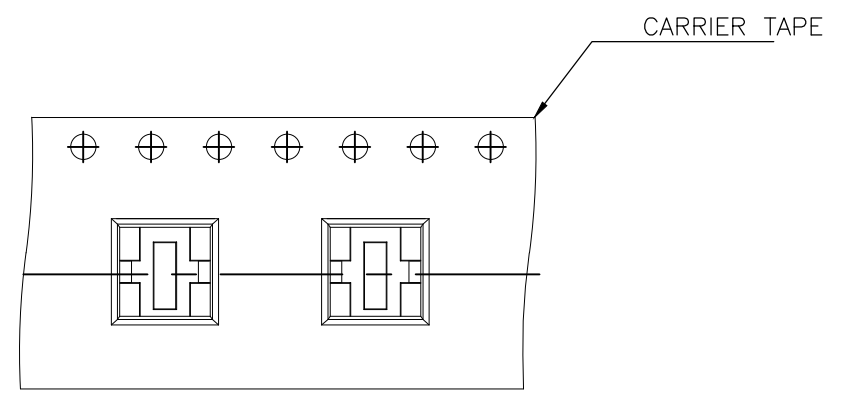
THE DIMENSION OF CARRIER TAPE, COVER TAPE AND REEL



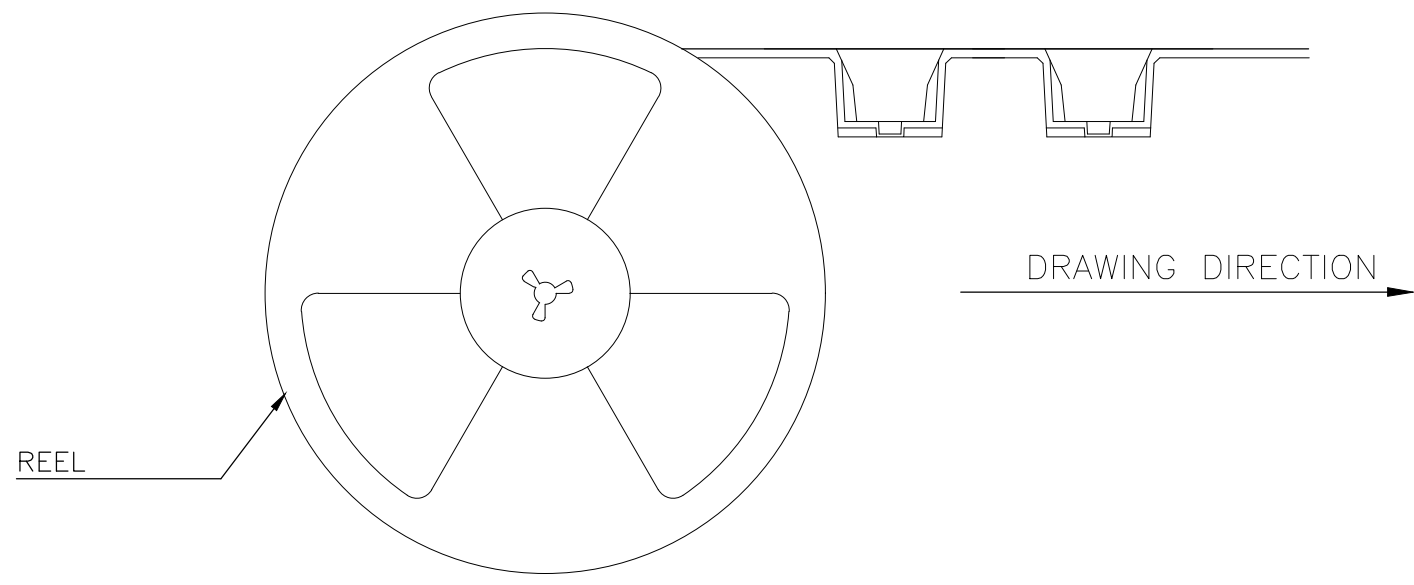
SECTION A-A



THE DIRECTION OF PILOT HOLES



SECTION B-B



THIS DRAWING IS A CONTROLLED DOCUMENT.		DWN GANESH C M 07MAR2018	TE Connectivity Ltd.			
DIMENSIONS: mm [INCHES]		CHK ALEXANDER SHARPE 07MAR2018				NAME SWITCH, DETECTOR, JJE SERIES, 4.7X3.5mm, VERTICAL, SMT
TOLERANCES UNLESS OTHERWISE SPECIFIED:		APVD ALEXANDER SHARPE 07MAR2018	PRODUCT SPEC			
0 PLC ± - 1 PLC ± - 2 PLC ± 0.20 [.008] 3 PLC ± - 4 PLC ± - ANGLES ± -		APPLICATION SPEC	RESTRICTED TO			
MATERIAL		FINISH	WEIGHT	SIZE A3	CAGE CODE 00779	DRAWING NO C-2331395
CUSTOMER DRAWING			SCALE NTS	SHEET 3 OF 3	REV A	