



Chipsmall Limited consists of a professional team with an average of over 10 year of expertise in the distribution of electronic components. Based in Hongkong, we have already established firm and mutual-benefit business relationships with customers from,Europe,America and south Asia,supplying obsolete and hard-to-find components to meet their specific needs.

With the principle of “Quality Parts,Customers Priority,Honest Operation,and Considerate Service”,our business mainly focus on the distribution of electronic components. Line cards we deal with include Microchip,ALPS,ROHM,Xilinx,Pulse,ON,Everlight and Freescale. Main products comprise IC,Modules,Potentiometer,IC Socket,Relay,Connector.Our parts cover such applications as commercial,industrial, and automotives areas.

We are looking forward to setting up business relationship with you and hope to provide you with the best service and solution. Let us make a better world for our industry!



Contact us

Tel: +86-755-8981 8866 Fax: +86-755-8427 6832

Email & Skype: info@chipsmall.com Web: www.chipsmall.com

Address: A1208, Overseas Decoration Building, #122 Zhenhua RD., Futian, Shenzhen, China



THIS DRAWING IS UNPUBLISHED.

RELEASED FOR PUBLICATION

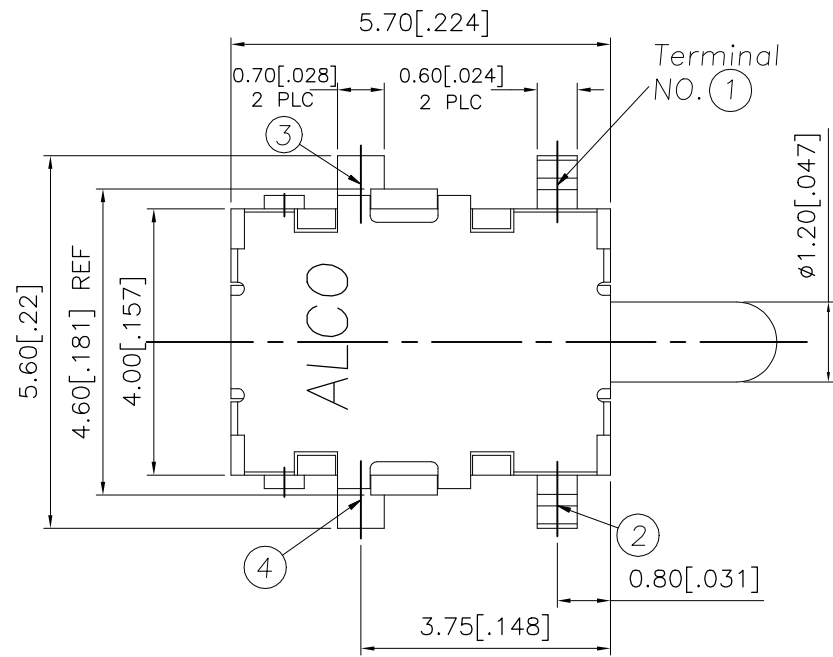
© COPYRIGHT - TE Connectivity Ltd.

ALL RIGHTS RESERVED.

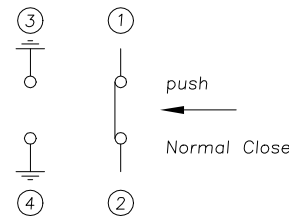
2331390-1
AS SHOWN

REVISIONS

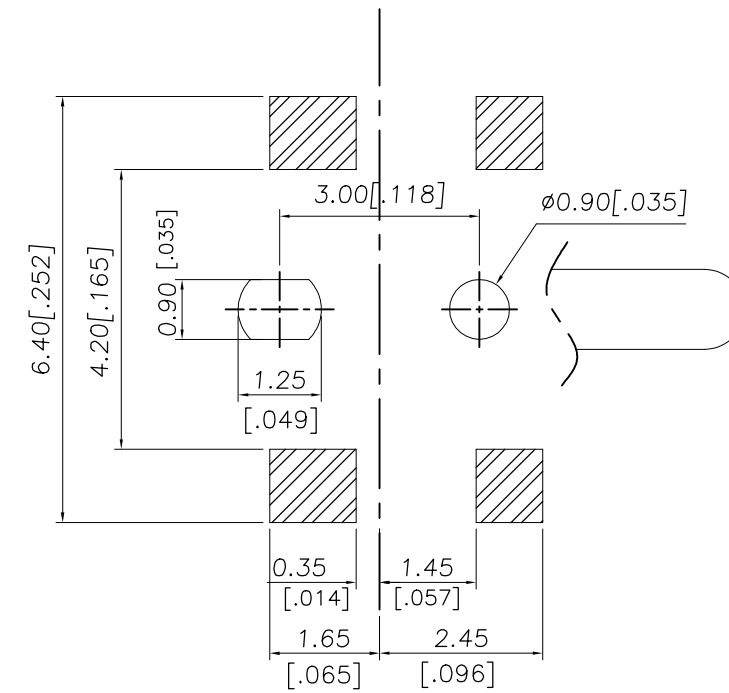
P	LTR	DESCRIPTION	DATE	DWN	APVD
A		ECR-18-012767	16AUG2018	RSM	AS



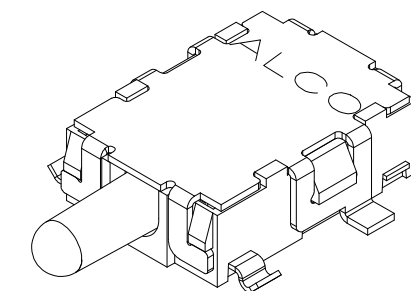
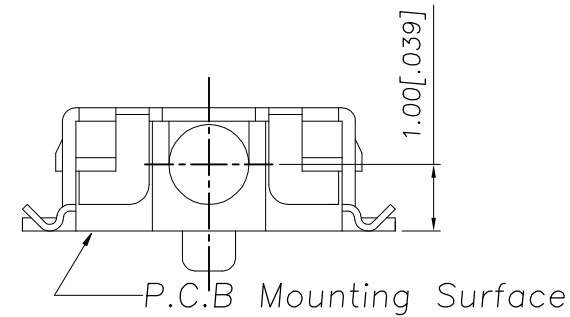
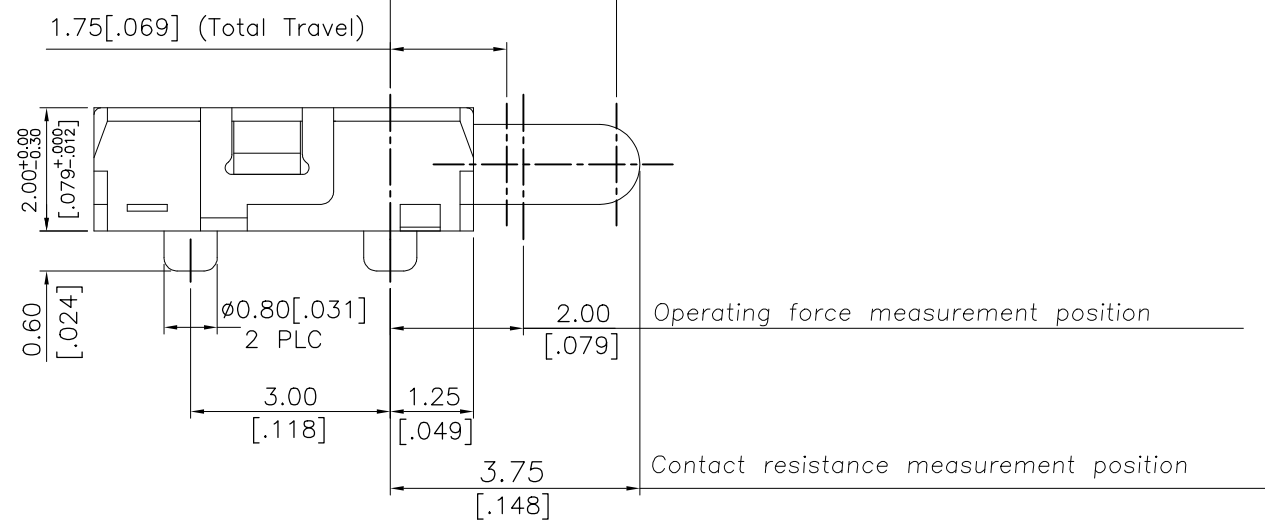
Circuit Diagram



P.C.B LAYOUT



3.40 [.134] OFF Start Position



THIS DRAWING IS A CONTROLLED DOCUMENT.

DWN 07MAR2018
GANESH C M

CHK 07MAR2018
ALEXANDER SHARPE

APVD 07MAR2018
ALEXANDER SHARPE

PRODUCT SPEC

APPLICATION SPEC

WEIGHT

CUSTOMER DRAWING

TE TE Connectivity Ltd.

NAME
SWITCH, DETECTOR, JJH SERIES, 5.7X4.0mm,
HORIZONTAL, SMT, POSTS

SIZE	CAGE CODE	DRAWING NO	RESTRICTED TO
A3	00779	2331390	-

DIMENSIONS:	TOLERANCES UNLESS OTHERWISE SPECIFIED:
mm	0 PLC ± -
	1 PLC ± -
	2 PLC ± 0.20 [.008]
	3 PLC ± -
	4 PLC ± -
	ANGLES ± -
MATERIAL	FINISH
-	-

SCALE NTS SHEET 1 of 3 REV A

THIS DRAWING IS UNPUBLISHED.

RELEASED FOR PUBLICATION

-,-

REVISIONS

© COPYRIGHT - TE Connectivity Ltd.

ALL RIGHTS RESERVED.

P	LTR	DESCRIPTION	DATE	DWN	APVD
-	-	SEE SHEET 1	-	-	-

NOTES:

1. MATERIALS

ACTUATOR: THERMOPLASTIC, UL 94V-0, BLACK
 BODY: THERMOPLASTIC, UL 94V-0, BLACK
 COVER: STAINLESS STEEL, SILVER PLATE
 TERMINAL: COPPER ALLOY, SILVER PLATE
 SPRING: STAINLESS STEEL
 CONTACT: STAINLESS STEEL, SILVER PLATE

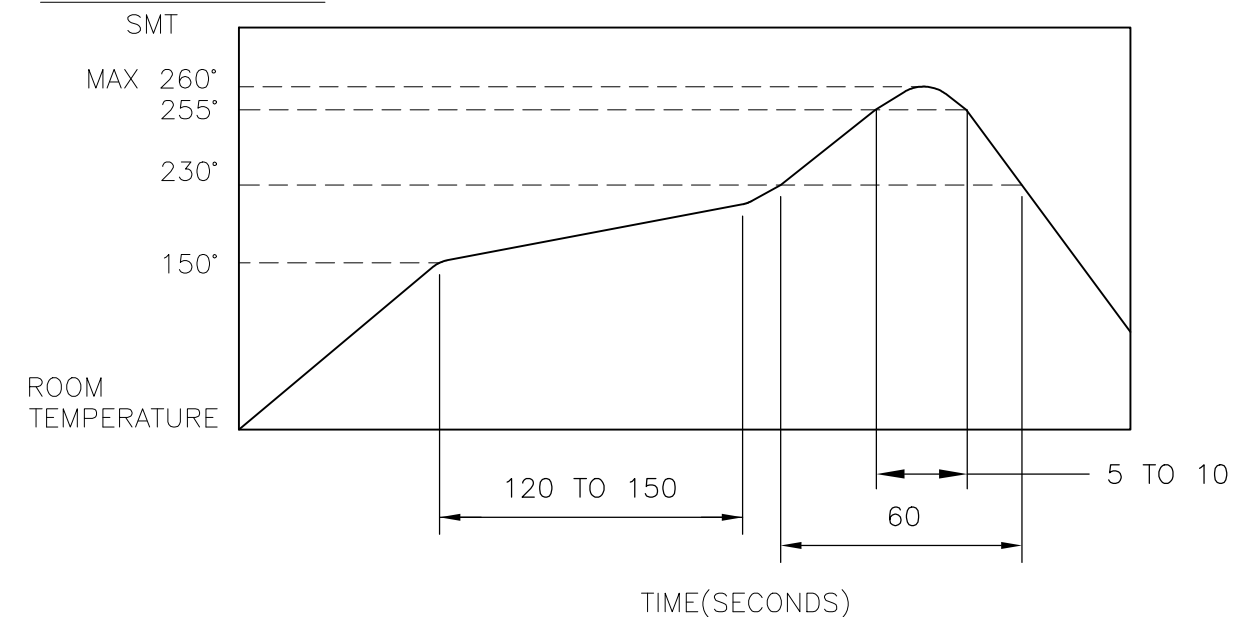
2. COMPLIANCE:

ALL MATERIALS AND FINISHES SHALL COMPLY WITH EU
 DIRECTIVE 2002/95/EC OF 27JAN2003(RoHS)

3. SPECIFICATIONS:

RATING: 1mA 5V DC
 CONTACT RESISTANCE: 1Ω MAXIMUM(INITIAL)
 INSULATION RESISTANCE: 100MΩ MINIMUM AT 100 V DC
 DIELECTRIC STRENGTH: 100 V AC, 1 MINUTE
 OPERATING LIFE: 100,000 CYCLES WITH LOAD
 TOTAL TRAVEL: 2.00 [.079]
 ACTUATION FORCE: 150gf MAXIMUM
 OPERATING TEMPERATURE: -10°C TO 60° C
 STORAGE TEMPERATURE: -20°C TO 70° C

4. SOLDER CONDITIONS:



THE CONDITION MENTIONED ABOVE IS THE TEMPERATURE ON THE CU FOIL OF THE PCB SURFACE. THERE ARE CASES WHERE THE BOARD'S TEMPERATURE GREATLY DIFFERS FROM THE SWITCH'S SURFACE. DO NOT ALLOW SWITCH'S SURFACE TEMPERATURE TO EXCEED 260°C.


MANUAL SOLDERING

SOLDERING TEMPERATURE	MAX.350°C.
CONTINUOUS SOLDERING TIME	MAX. 5 SECONDS.

PRECAUTIONS IN HANDLING

1. CARE SHOULD BE EXERCISED SO THAT FLUX FROM THE UPPER PART OF THE PRINTED CIRCUIT BOARD DOES NOT ADHERE TO THE SWITCH.

JHHH0UG200NCPMRTR	2331390-1
SMART PART NUMBER	PART NUMBER

THIS DRAWING IS A CONTROLLED DOCUMENT.		DWN 07MAR2018 GANESH C M	 TE Connectivity Ltd.	
DIMENSIONS: mm		CHK 07MAR2018 ALEXANDER SHARPE		
TOLERANCES UNLESS OTHERWISE SPECIFIED:		APVD 07MAR2018 ALEXANDER SHARPE	NAME SWITCH, DETECTOR, JJH SERIES, 5.7X4.0mm, HORIZONTAL, SMT, POSTS	
0 PLC ± - 1 PLC ± - 2 PLC ± 0.20 [.008] 3 PLC ± - 4 PLC ± - ANGLES ± -		PRODUCT SPEC -	SIZE A3	
MATERIAL -		FINISH -	CAGE CODE 00779	DRAWING NO 2331390
		WEIGHT -	RESTRICTED TO -	
		CUSTOMER DRAWING	SCALE NTS	SHEET 2 of 3
			REV A	

4

3

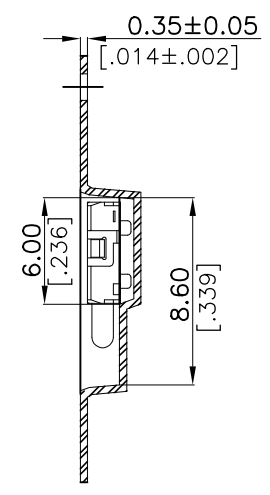
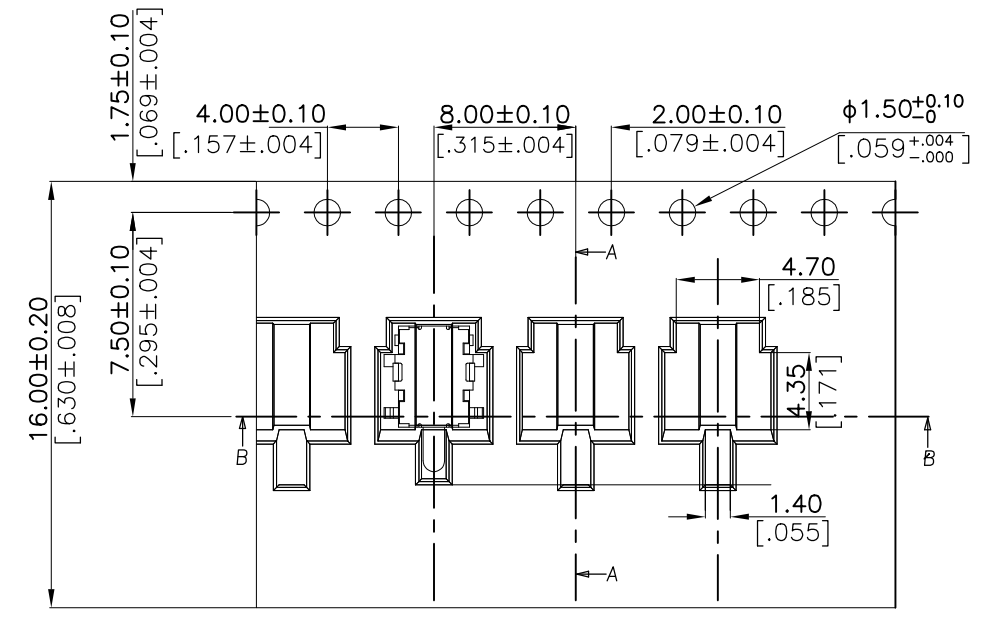
2

1

THIS DRAWING IS UNPUBLISHED. RELEASED FOR PUBLICATION
 © COPYRIGHT - TE Connectivity Ltd. ALL RIGHTS RESERVED.

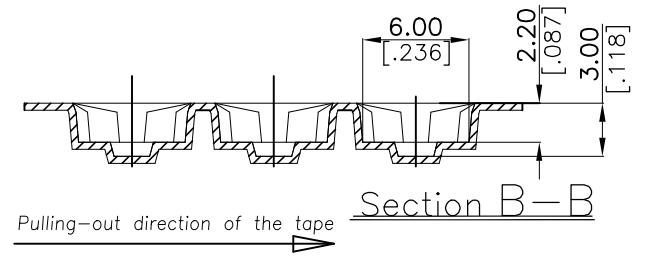
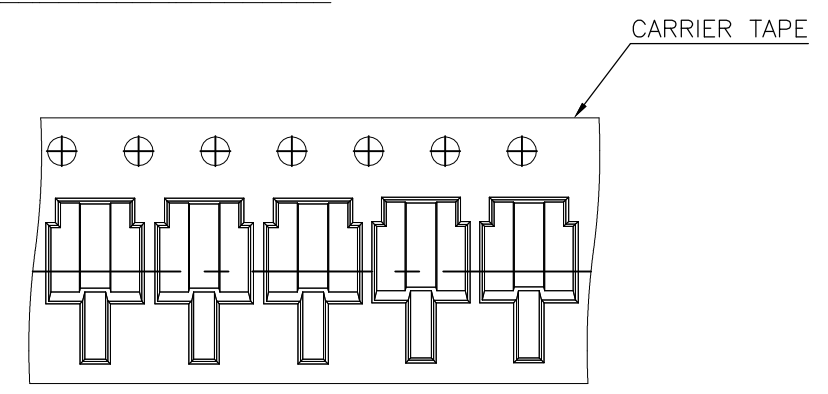
REVISIONS					
P	LTR	DESCRIPTION	DATE	DWN	APVD
-	-	SEE SHEET 1	-	-	-

PACKAGING:
 3000 SWITCHES PER REEL
 THE DIMENSION OF CARRIER TAPE, COVER TAPE AND REEL

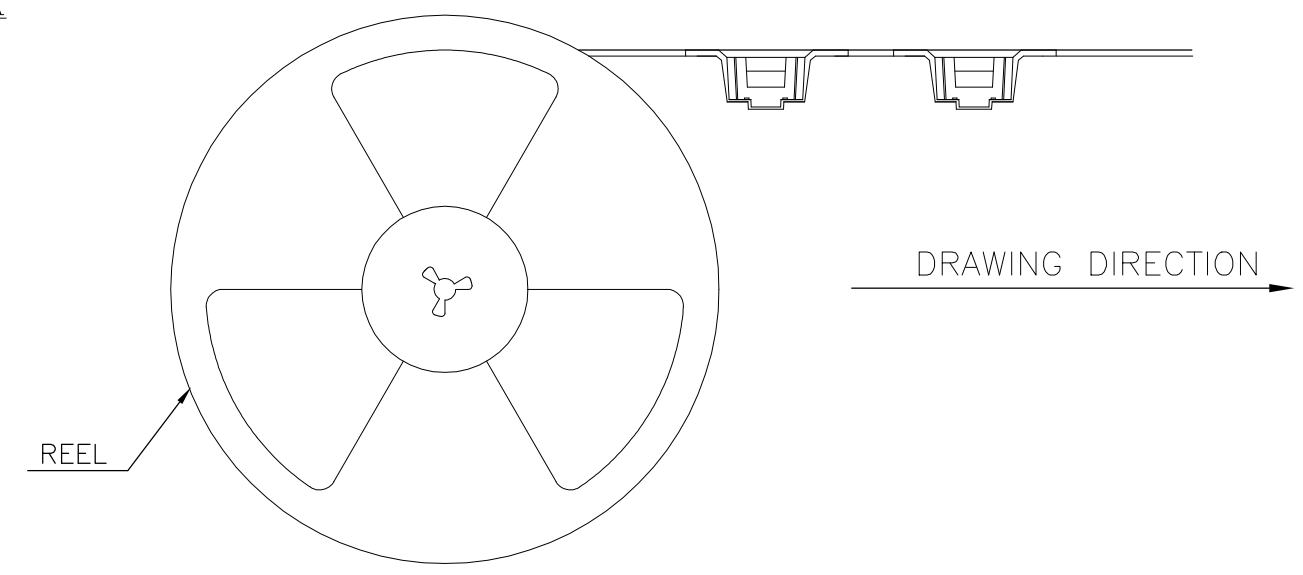
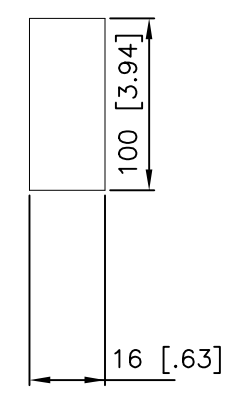
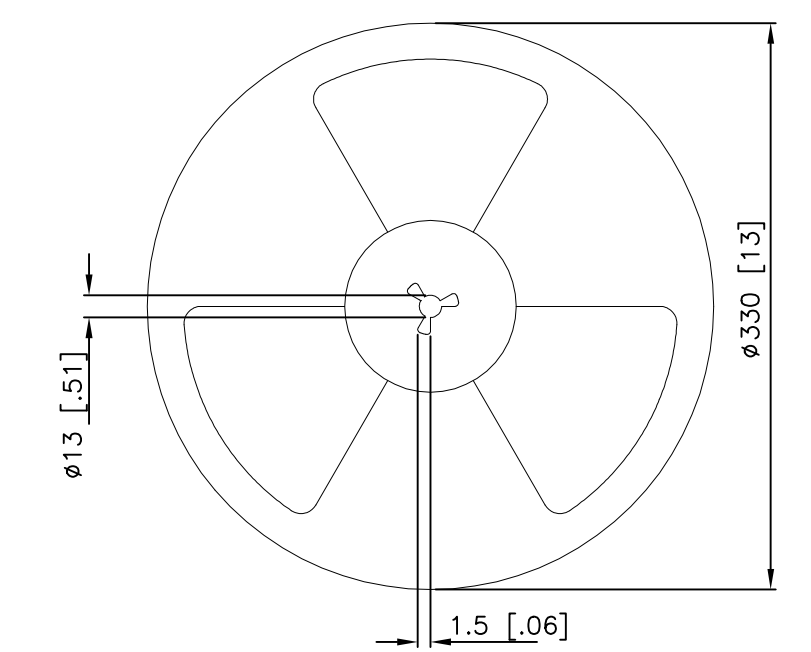


Section A-A

THE DIRECTION OF PILOT HOLES



Section B-B



THIS DRAWING IS A CONTROLLED DOCUMENT.		DWN 07MAR2018 GANESH C M	TE Connectivity Ltd.			
DIMENSIONS: mm		CHK 07MAR2018 ALEXANDER SHARPE				NAME
TOLERANCES UNLESS OTHERWISE SPECIFIED:		APVD 07MAR2018 ALEXANDER SHARPE	SWITCH, DETECTOR, JJH SERIES, 5.7X4.0mm, HORIZONTAL, SMT, POSTS			
0 PLC ± - 1 PLC ± - 2 PLC ± 0.20 [.008] 3 PLC ± - 4 PLC ± - ANGLES ± -		PRODUCT SPEC	SIZE	CAGE CODE	DRAWING NO	RESTRICTED TO
MATERIAL		FINISH	A3	00779	C-2331390	-
CUSTOMER DRAWING			SCALE	SHEET	REV	
			NTS	3 of 3	A	