



Chipsmall Limited consists of a professional team with an average of over 10 year of expertise in the distribution of electronic components. Based in Hongkong, we have already established firm and mutual-benefit business relationships with customers from,Europe,America and south Asia,supplying obsolete and hard-to-find components to meet their specific needs.

With the principle of “Quality Parts,Customers Priority,Honest Operation,and Considerate Service”,our business mainly focus on the distribution of electronic components. Line cards we deal with include Microchip,ALPS,ROHM,Xilinx,Pulse,ON,Everlight and Freescale. Main products comprise IC,Modules,Potentiometer,IC Socket,Relay,Connector.Our parts cover such applications as commercial,industrial, and automotives areas.

We are looking forward to setting up business relationship with you and hope to provide you with the best service and solution. Let us make a better world for our industry!



## Contact us

Tel: +86-755-8981 8866 Fax: +86-755-8427 6832

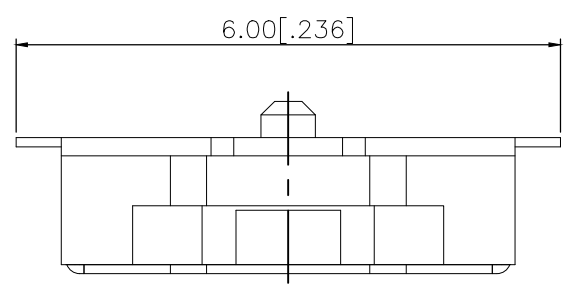
Email & Skype: info@chipsmall.com Web: www.chipsmall.com

Address: A1208, Overseas Decoration Building, #122 Zhenhua RD., Futian, Shenzhen, China

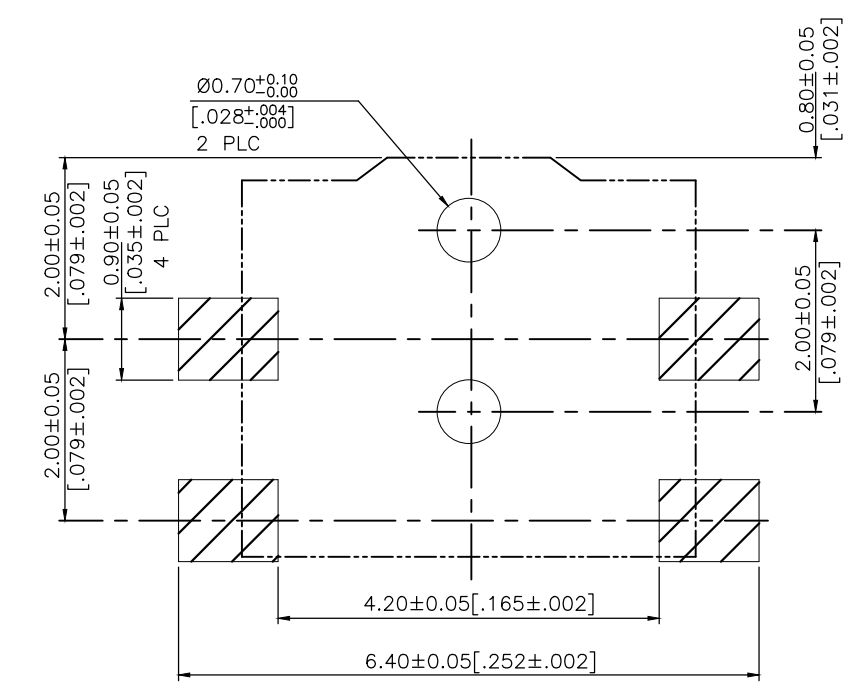
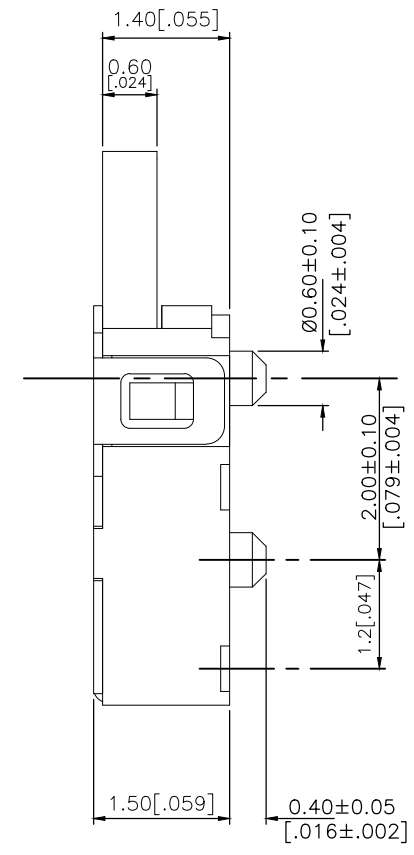
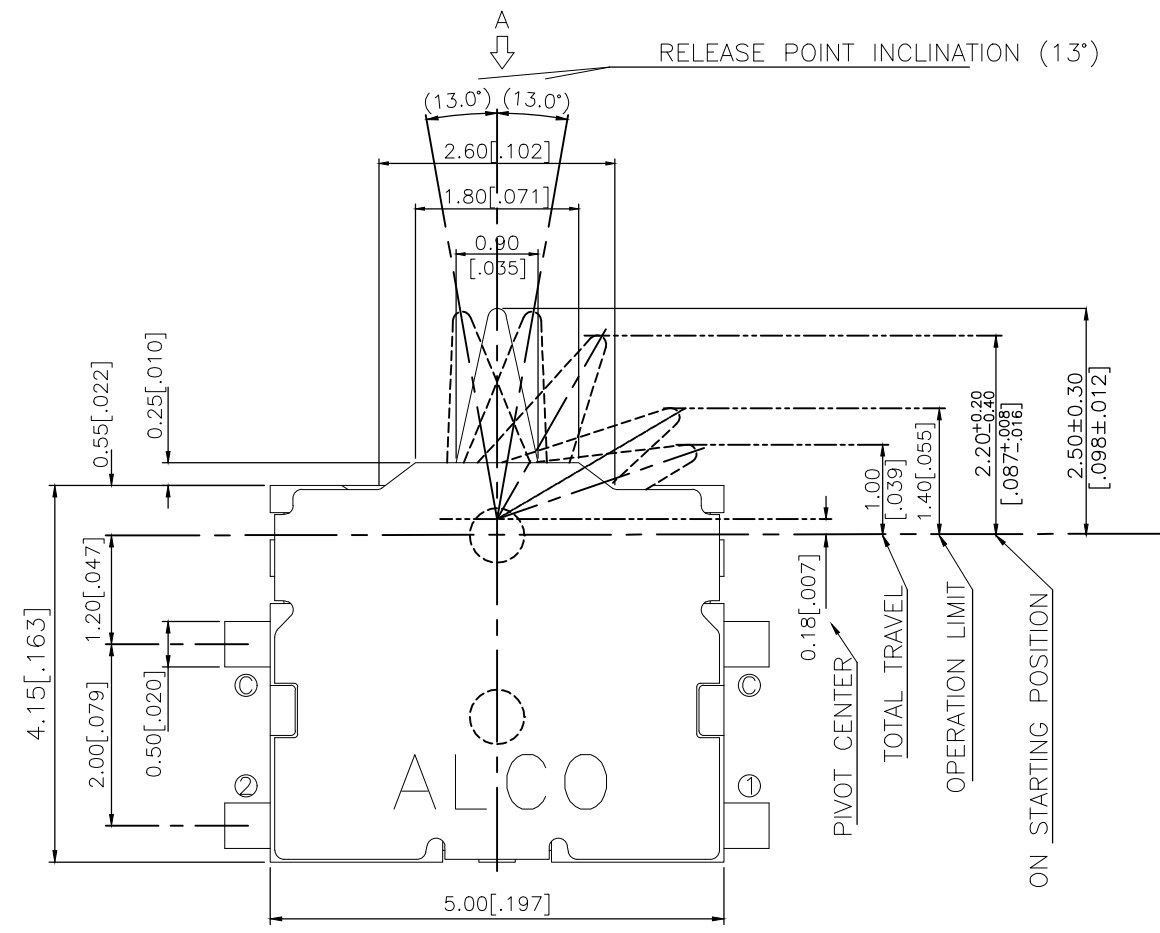


THIS DRAWING IS UNPUBLISHED. RELEASED FOR PUBLICATION  
 © COPYRIGHT - TE Connectivity Ltd. ALL RIGHTS RESERVED.

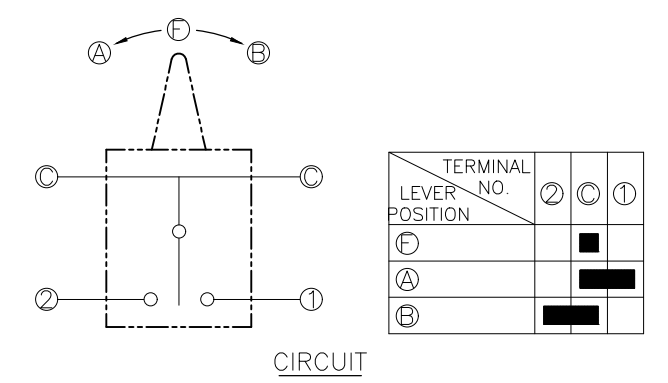
| REVISIONS |     |               |           |          |
|-----------|-----|---------------|-----------|----------|
| P         | LTR | DESCRIPTION   | DATE      | DWN APVD |
|           | A   | ECR-18-012767 | 14AUG2018 | RSM AS   |



2331383-1  
AS SHOWN



P.C.B. LAYOUT  
(VIEW FROM THE DIRECTION A)



|  |  |                                 |   |                 |
|--|--|---------------------------------|---|-----------------|
| THIS DRAWING IS A CONTROLLED DOCUMENT.   |  | DWN GANESH C M 07MAR2018        | TE Connectivity Ltd.  |                 |
| DIMENSIONS: mm [INCHES]  |  | CHK ALEXANDER SHARPE 07MAR2018  |   |                 |
| TOLERANCES UNLESS OTHERWISE SPECIFIED:   |  | APVD ALEXANDER SHARPE 07MAR2018 | NAME SWITCH, DETECTOR, JJI SERIES, 5.0X4.4mm, HORIZONTAL, SMT, WITH POSTS |                 |
| 0 PLC ± -<br>1 PLC ± -<br>2 PLC ± 0.20 [0.008]<br>3 PLC ± -<br>4 PLC ± -<br>ANGLES ± - |  | PRODUCT SPEC -                  | DRAWING NO C-2331383  |                 |
| MATERIAL -   |  | FINISH -                        | SIZE A3   | RESTRICTED TO - |
|  |  | WEIGHT -                        | CAGE CODE 00779   | SHEET 1 OF 3    |
|  |  |                                 | DRAWING NO C-2331383  | REV A           |
|  |  |                                 | SCALE NTS   |                 |

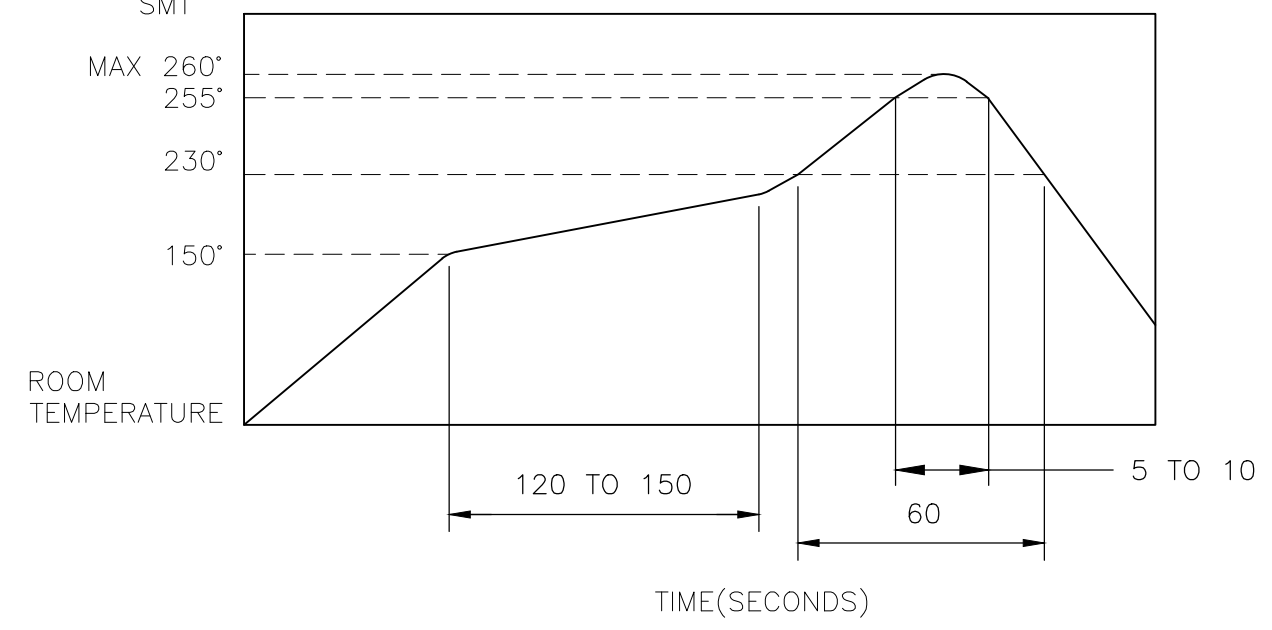
THIS DRAWING IS UNPUBLISHED. RELEASED FOR PUBLICATION  
 © COPYRIGHT - TE Connectivity Ltd. ALL RIGHTS RESERVED.

| REVISIONS |     |             |      |     |      |
|-----------|-----|-------------|------|-----|------|
| P         | LTR | DESCRIPTION | DATE | DWN | APVD |
| -         | -   | SEE SHEET 1 | -    | -   | -    |

NOTES:

- MATERIALS**  
 ACTUATOR: THERMOPLASTIC, BLACK  
 BODY: THERMOPLASTIC, UL 94V-0, BLACK  
 COVER: STAINLESS STEEL  
 TERMINAL: COPPER ALLOY, SILVER PLATE  
 CONTACT: COPPER ALLOY, SILVER PLATE  
 SLIDE: THERMOPLASTIC, UL 94V-0, BLACK  
 SPRING: STAINLESS STEEL
- COMPLIANCE:**  
 ALL MATERIALS AND FINISHES SHALL COMPLY WITH EU DIRECTIVE 2002/95/EC OF 27JAN2003(RoHS)
- SPECIFICATIONS:**  
 RATING: 10mA 5V DC  
 CONTACT RESISTANCE: 500mΩ MAXIMUM(INITIAL)  
 INSULATION RESISTANCE: 100MΩ MINIMUM AT 100 V DC  
 DIELECTRIC STRENGTH: 100 V AC, 1 MINUTE  
 OPERATING LIFE: 100,000 CYCLES WITH LAOD  
 TOTAL TRAVEL: 1.5 [.059]  
 ACTUATION FORCE: 30gf MAXIMUM  
 OPERATING TEMPERATURE: 0°C TO 60° C  
 STORAGE TEMPERATURE: -40°C TO 70° C

4. SOLDER CONDITIONS:  
SMT



THE CONDITION MENTIONED ABOVE IS THE TEMPERATURE ON THE CU FOIL OF THE PCB SURFACE. THERE ARE CASES WHERE THE BOARD'S TEMPERATURE GREATLY DIFFERS FROM THE SWITCH'S SURFACE. DO NOT ALLOW SWITCH'S SURFACE TEMPERATURE TO EXCEED 260°C

MANUAL SOLDERING

|                           |                |
|---------------------------|----------------|
| SOLDERING TEMPERATURE     | 350°C±5°C.     |
| CONTINUOUS SOLDERING TIME | 3 SECONDS MAX. |

PRECAUTIONS IN HANDLING

- CARE SHOULD BE EXERCISED SO THAT FLUX FROM THE UPPER PART OF THE PRINTED CIRCUIT BOARD DOES NOT ADHERE TO THE SWITCH.

|                   |             |
|-------------------|-------------|
| JJIH0UG150NOPMRTR | 2331383-1   |
| SMART PART NUMBER | PART NUMBER |

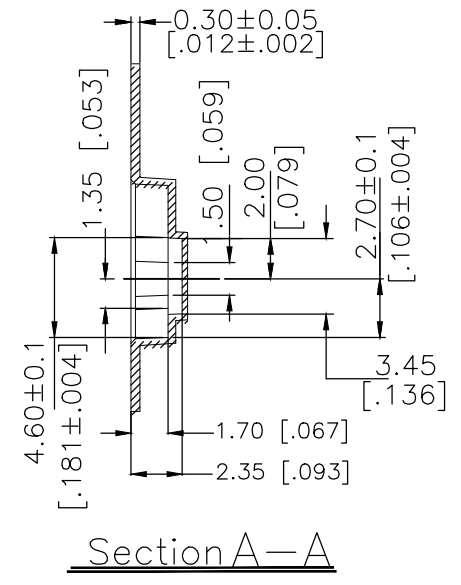
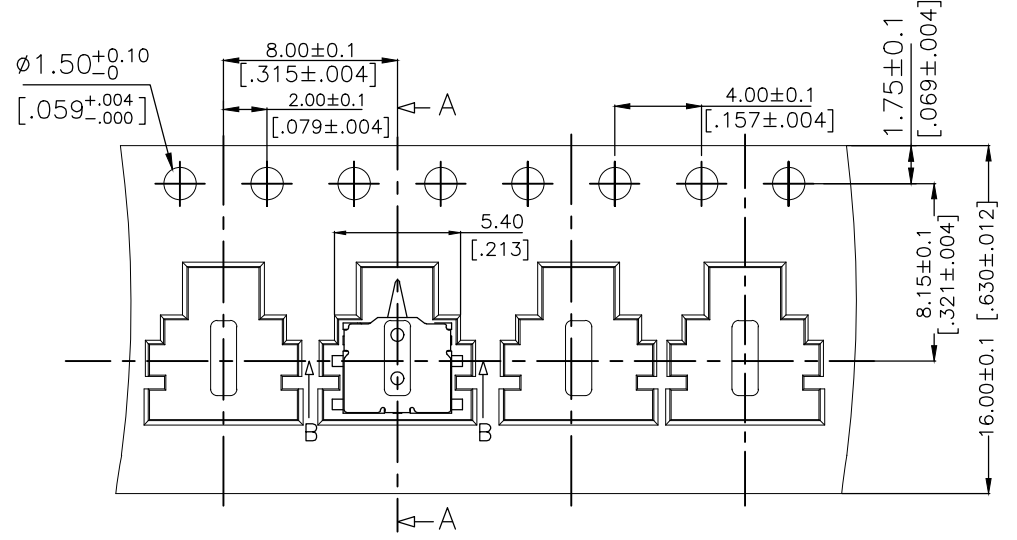
|  |               |                                    |  |            |               |       |               |       |     |       |     |        |     |              |      |  |  |
|--|---------------|------------------------------------|--|------------|---------------|-------|---------------|-------|-----|-------|-----|--------|-----|--------------|------|--|--|
| THIS DRAWING IS A CONTROLLED DOCUMENT.   |               | DWN 07MAR2018<br>GANESH C M        | TE Connectivity Ltd.   |            |               |       |               |       |     |       |     |        |     |              |      |  |  |
| DIMENSIONS: mm [INCHES]  |               | CHK 07MAR2018<br>ALEXANDER SHARPE  |  |            |               |       |               |       |     |       |     |        |     |              |      |  |  |
| TOLERANCES UNLESS OTHERWISE SPECIFIED:   |               | APVD 07MAR2018<br>ALEXANDER SHARPE | NAME<br>SWITCH, DETECTOR, JJI SERIES, 5.0X4.4mm, HORIZONTAL, SMT, WITH POSTS |            |               |       |               |       |     |       |     |        |     |              |      |  |  |
| <table border="0"> <tr> <td>0 PLC</td> <td>± -</td> </tr> <tr> <td>1 PLC</td> <td>± -</td> </tr> <tr> <td>2 PLC</td> <td>± 0.20 [.008]</td> </tr> <tr> <td>3 PLC</td> <td>± -</td> </tr> <tr> <td>4 PLC</td> <td>± -</td> </tr> <tr> <td>ANGLES</td> <td>± -</td> </tr> </table> |               | 0 PLC                              | ± -  | 1 PLC      | ± -           | 2 PLC | ± 0.20 [.008] | 3 PLC | ± - | 4 PLC | ± - | ANGLES | ± - | PRODUCT SPEC | SIZE |  |  |
| 0 PLC  | ± -           |                                    |  |            |               |       |               |       |     |       |     |        |     |              |      |  |  |
| 1 PLC  | ± -           |                                    |  |            |               |       |               |       |     |       |     |        |     |              |      |  |  |
| 2 PLC  | ± 0.20 [.008] |                                    |  |            |               |       |               |       |     |       |     |        |     |              |      |  |  |
| 3 PLC  | ± -           |                                    |  |            |               |       |               |       |     |       |     |        |     |              |      |  |  |
| 4 PLC  | ± -           |                                    |  |            |               |       |               |       |     |       |     |        |     |              |      |  |  |
| ANGLES   | ± -           |                                    |  |            |               |       |               |       |     |       |     |        |     |              |      |  |  |
| MATERIAL   |               | APPLICATION SPEC                   | CAGE CODE  | DRAWING NO | RESTRICTED TO |       |               |       |     |       |     |        |     |              |      |  |  |
| FINISH   |               | WEIGHT                             | A3 00779   | C-2331383  | -             |       |               |       |     |       |     |        |     |              |      |  |  |
| CUSTOMER DRAWING   |               |                                    | SCALE  | SHEET      | REV           |       |               |       |     |       |     |        |     |              |      |  |  |
|  |               |                                    | NTS  | 2 OF 3     | A             |       |               |       |     |       |     |        |     |              |      |  |  |

THIS DRAWING IS UNPUBLISHED. RELEASED FOR PUBLICATION  
 © COPYRIGHT - TE Connectivity Ltd. ALL RIGHTS RESERVED.

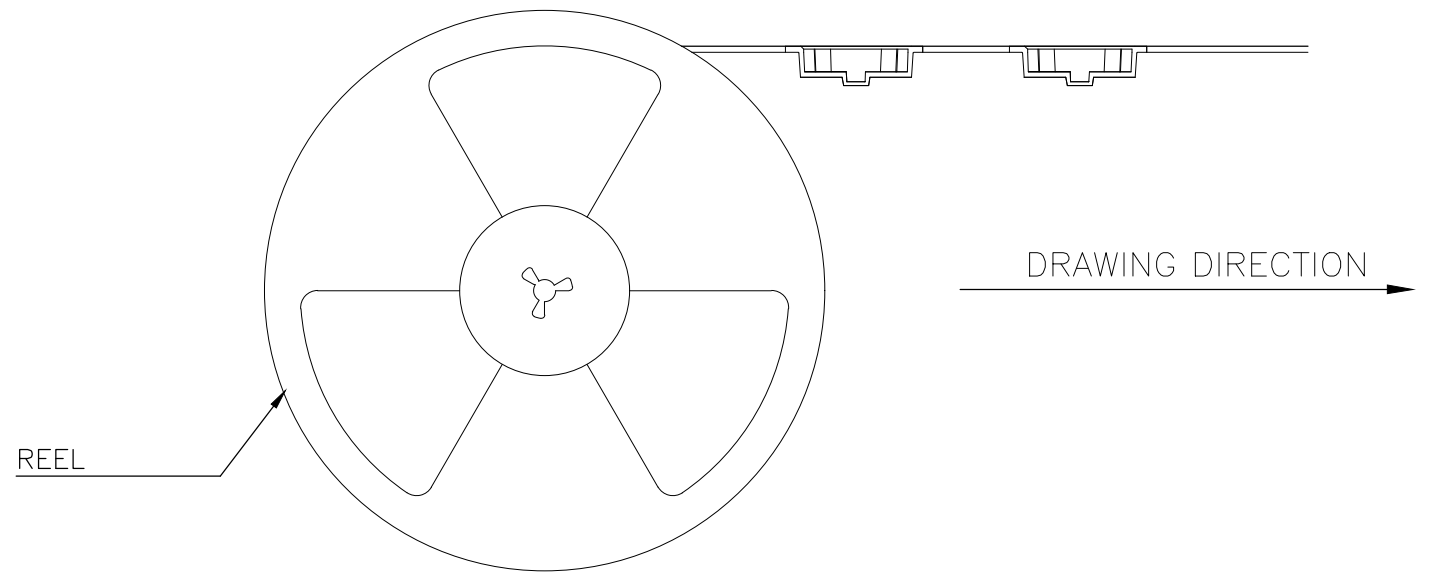
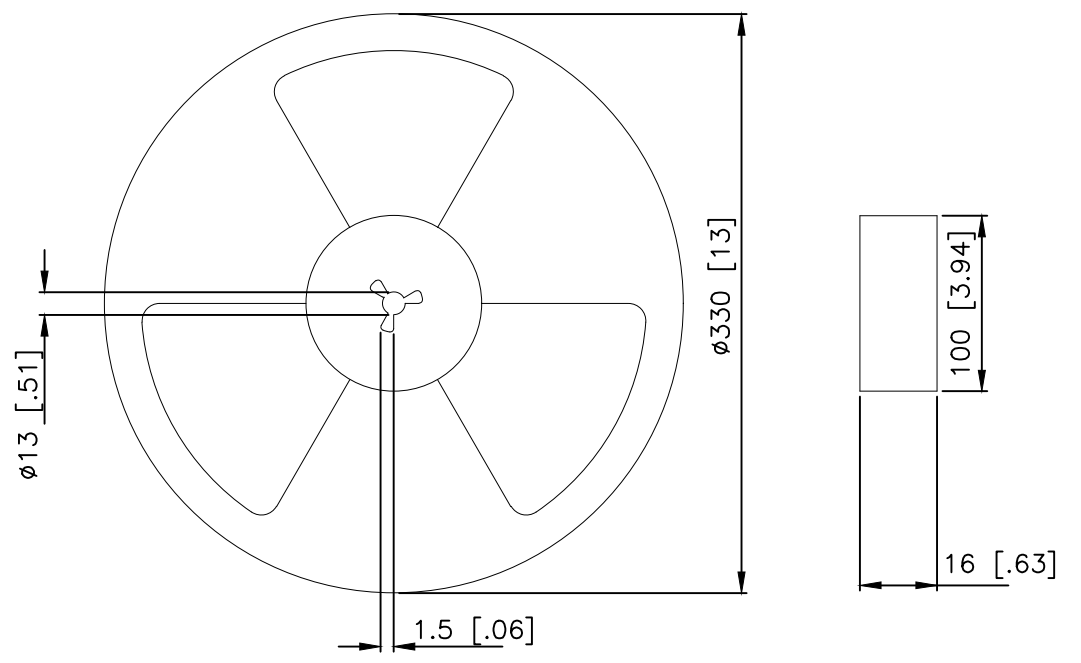
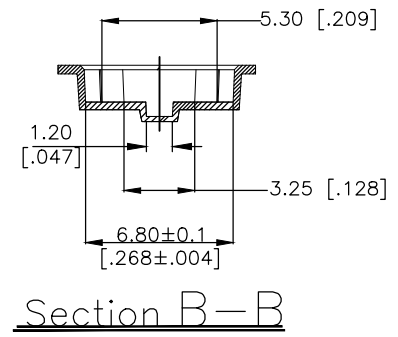
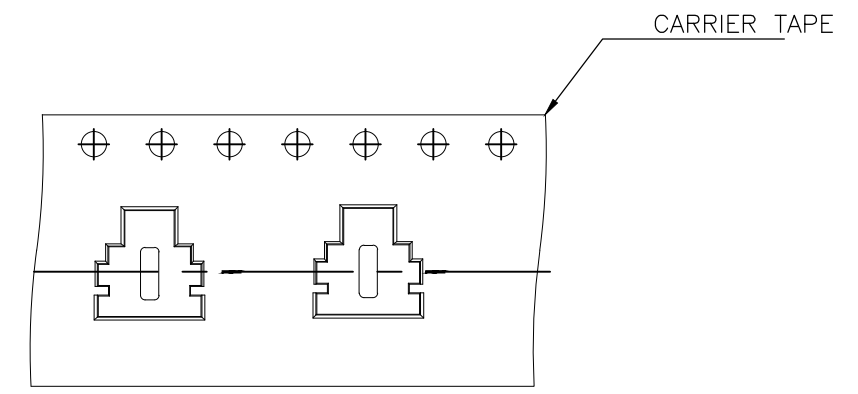
| REVISIONS |     |             |      |     |      |
|-----------|-----|-------------|------|-----|------|
| P         | LTR | DESCRIPTION | DATE | DWN | APVD |
| -         | -   | SEE SHEET 1 | -    | -   | -    |

PACKAGING:  
3800 SWITCHES PER REEL

THE DIMENSION OF CARRIER TAPE, COVER TAPE AND REEL



THE DIRECTION OF PILOT HOLES



|   |  |                                 |  |                 |                      |
|---|--|---------------------------------|--|-----------------|----------------------|
| THIS DRAWING IS A CONTROLLED DOCUMENT.  |  | DWN GANESH C M 07MAR2018        | TE Connectivity Ltd.   |                 |                      |
| DIMENSIONS: mm [INCHES]   |  | CHK ALEXANDER SHARPE 07MAR2018  |  |                 |                      |
| TOLERANCES UNLESS OTHERWISE SPECIFIED:  |  | APVD ALEXANDER SHARPE 07MAR2018 | SWITCH, DETECTOR, JJI SERIES, 5.0X4.4mm, HORIZONTAL, SMT, WITH POSTS |                 |                      |
| 0 PLC ± -<br>1 PLC ± -<br>2 PLC ± 0.20 [.008]<br>3 PLC ± -<br>4 PLC ± -<br>ANGLES ± - |  | PRODUCT SPEC                    | RESTRICTED TO  |                 |                      |
| MATERIAL  |  | APPLICATION SPEC                | SIZE A3  | CAGE CODE 00779 | DRAWING NO C-2331383 |
| FINISH  |  | WEIGHT                          | CUSTOMER DRAWING   |                 | SCALE NTS            |
|   |  |                                 | SHEET 3 OF 3   |                 | REV A                |