



Chipsmall Limited consists of a professional team with an average of over 10 year of expertise in the distribution of electronic components. Based in Hongkong, we have already established firm and mutual-benefit business relationships with customers from,Europe,America and south Asia,supplying obsolete and hard-to-find components to meet their specific needs.

With the principle of “Quality Parts,Customers Priority,Honest Operation,and Considerate Service”,our business mainly focus on the distribution of electronic components. Line cards we deal with include Microchip,ALPS,ROHM,Xilinx,Pulse,ON,Everlight and Freescale. Main products comprise IC,Modules,Potentiometer,IC Socket,Relay,Connector.Our parts cover such applications as commercial,industrial, and automotives areas.

We are looking forward to setting up business relationship with you and hope to provide you with the best service and solution. Let us make a better world for our industry!



Contact us

Tel: +86-755-8981 8866 Fax: +86-755-8427 6832

Email & Skype: info@chipsmall.com Web: www.chipsmall.com

Address: A1208, Overseas Decoration Building, #122 Zhenhua RD., Futian, Shenzhen, China





Screw Terminal Type, High Power Density Type

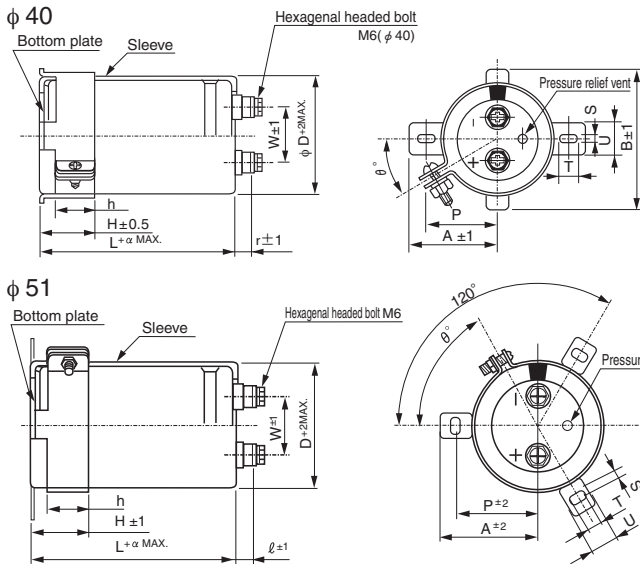
- High power density.
- Rapid charge-discharge.
- Suitable for regeneration and UPS applications.
- Compliant to the RoHS directive (2011/65/EU).



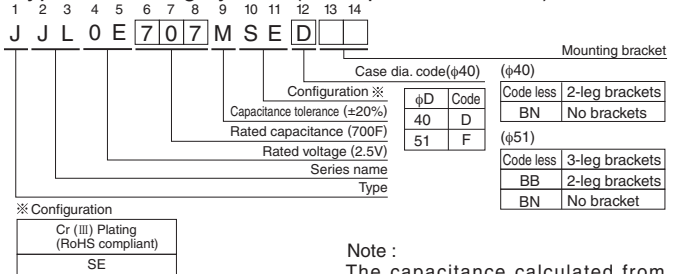
Specifications

Item	Performance Characteristics					
Category Temperature Range	- 25 to +60°C					
Rated Voltage Range	2.5V					
Rated Capacitance Range	700 to 2000F See Note					
Capacitance Tolerance	±20%(20°C)					
Stability at Low Temperature	Capacitance (-25°C) / Capacitance (+20°C) × 100 ≥ 70% DCR (-25°C) / DCR (+20°C) ≤ 7					
DCR*	Refer to the table below (20°C). *DC internal resistance					
Endurance	The specifications listed at right shall be met when the capacitors are restored to 20°C after the rated voltage is applied for 2000 hours at 60°C.	<table border="1"> <tr> <td>Capacitance change</td> <td>Within ±30% of the initial capacitance value</td> </tr> <tr> <td>DCR</td> <td>300% or less than the initial specified value</td> </tr> </table>	Capacitance change	Within ±30% of the initial capacitance value	DCR	300% or less than the initial specified value
	Capacitance change	Within ±30% of the initial capacitance value				
DCR	300% or less than the initial specified value					
Shelf Life	The specifications listed at right shall be met when the capacitors are restored to 20°C after storing the capacitors under no load for 2000 hours at 60°C.	<table border="1"> <tr> <td>Capacitance change</td> <td>Within ±30% of the initial capacitance value</td> </tr> <tr> <td>DCR</td> <td>300% or less than the initial specified value</td> </tr> </table>	Capacitance change	Within ±30% of the initial capacitance value	DCR	300% or less than the initial specified value
	Capacitance change	Within ±30% of the initial capacitance value				
DCR	300% or less than the initial specified value					
Humidity Endurance	The specifications listed at right shall be met when the capacitors are restored to 20°C after the rated voltage is applied for 500 hours at 40°C 90%RH.	<table border="1"> <tr> <td>Capacitance change</td> <td>Within ±30% of the initial capacitance value</td> </tr> <tr> <td>DCR</td> <td>300% or less than the initial specified value</td> </tr> </table>	Capacitance change	Within ±30% of the initial capacitance value	DCR	300% or less than the initial specified value
	Capacitance change	Within ±30% of the initial capacitance value				
DCR	300% or less than the initial specified value					
Marking	Printed with white color letter on black sleeve.					

Drawing



Type numbering system (Example : 2.5V 700F)



Note :
 The capacitance calculated from discharge time (ΔT) with constant current (i) after 30minute charge with rated voltage (2.5V).
 The discharge current (i) is 0.01 × rated capacitance (F).
 The discharge time (ΔT) measured between 2V and 1V with constant current.
 The capacitance calculated below.
 Capacitance (F) = i × ΔT

Dimensions

Rated Voltage (Code)	Cap. (F)	Cap. code	DCR※ Typical (mΩ)	Case size φD × L (mm)		Ref. Weight (g)
				φ D	L	
2.5V (0E)	700	707	3.5	40	105	210
	1000	108	2.5		142	250
	1200	128	2.2		167	300
	1100	118	2.8	51	105	380
	1700	178	1.7		142	500
	2000	208	1.5		167	600

※ The listed DCR value is typical and therefore not a guaranteed value.

Dimensions of terminal pitch(W) and length(ℓ) and Normal dia. of bolt (mm)

φ D	W	ℓ	α	Nominal of bolt
40	18.8	9	3	M6
51	26.0	10	3	M6

Dimensions of mounting bracket (mm)

Symbol	Leg shape φD	3-Legs		2-Legs	
		51	40	51	40
P		32.5	27	33.2	
A		38.5	32	40	
B		—	48	—	
T		7.5	7.0	6.0	
S		5.0	3.5	4.5	
U		12	10	14	
θ°		60	45	30	
H		20	17	25	
h		15	12	15	

Note)The brackets will be supplied in the separate box.