



Chipsmall Limited consists of a professional team with an average of over 10 year of expertise in the distribution of electronic components. Based in Hongkong, we have already established firm and mutual-benefit business relationships with customers from,Europe,America and south Asia,supplying obsolete and hard-to-find components to meet their specific needs.

With the principle of “Quality Parts,Customers Priority,Honest Operation,and Considerate Service”,our business mainly focus on the distribution of electronic components. Line cards we deal with include Microchip,ALPS,ROHM,Xilinx,Pulse,ON,Everlight and Freescale. Main products comprise IC,Modules,Potentiometer,IC Socket,Relay,Connector.Our parts cover such applications as commercial,industrial, and automotives areas.

We are looking forward to setting up business relationship with you and hope to provide you with the best service and solution. Let us make a better world for our industry!



Contact us

Tel: +86-755-8981 8866 Fax: +86-755-8427 6832

Email & Skype: info@chipsmall.com Web: www.chipsmall.com

Address: A1208, Overseas Decoration Building, #122 Zhenhua RD., Futian, Shenzhen, China



4

3

2

1

THIS DRAWING IS UNPUBLISHED.

RELEASED FOR PUBLICATION

REVISIONS

© COPYRIGHT - TE Connectivity Ltd.

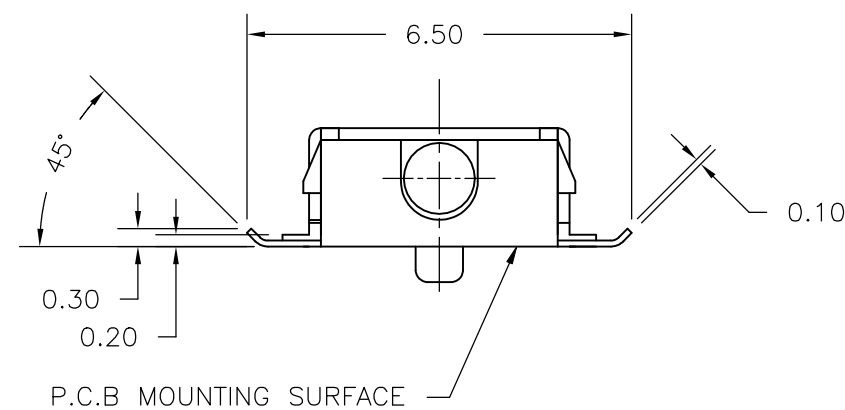
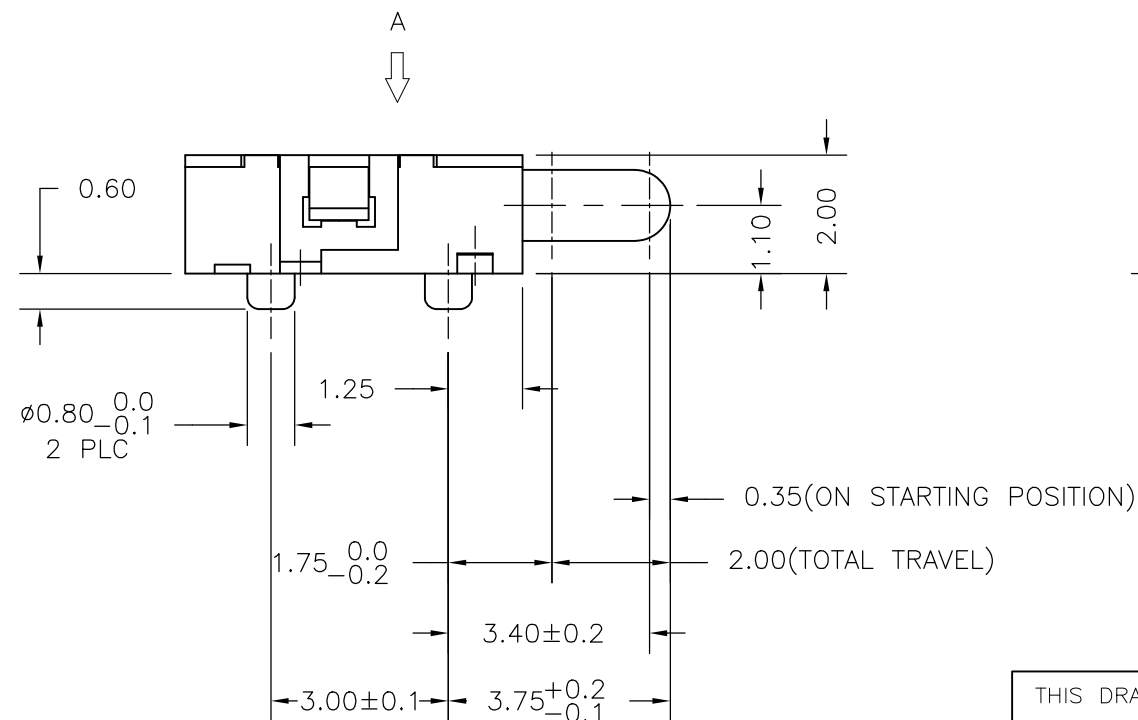
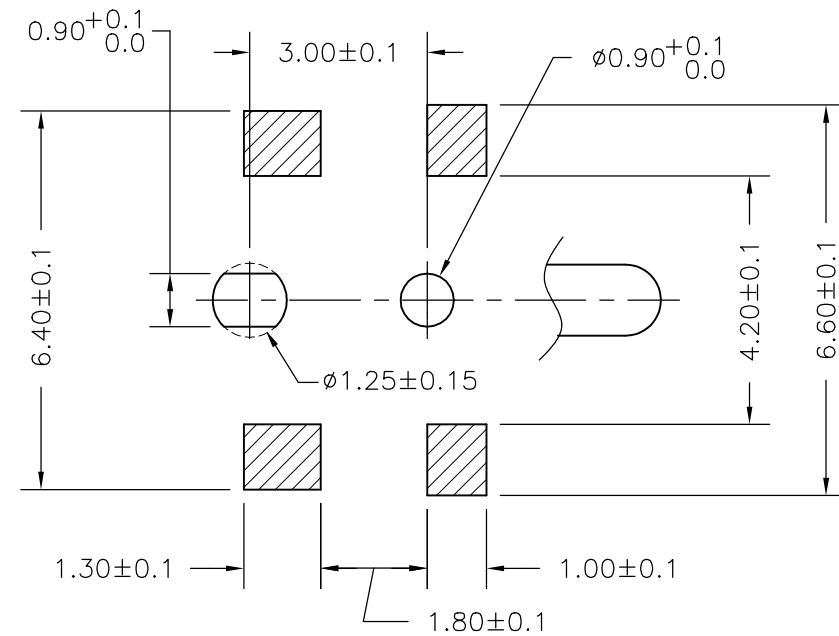
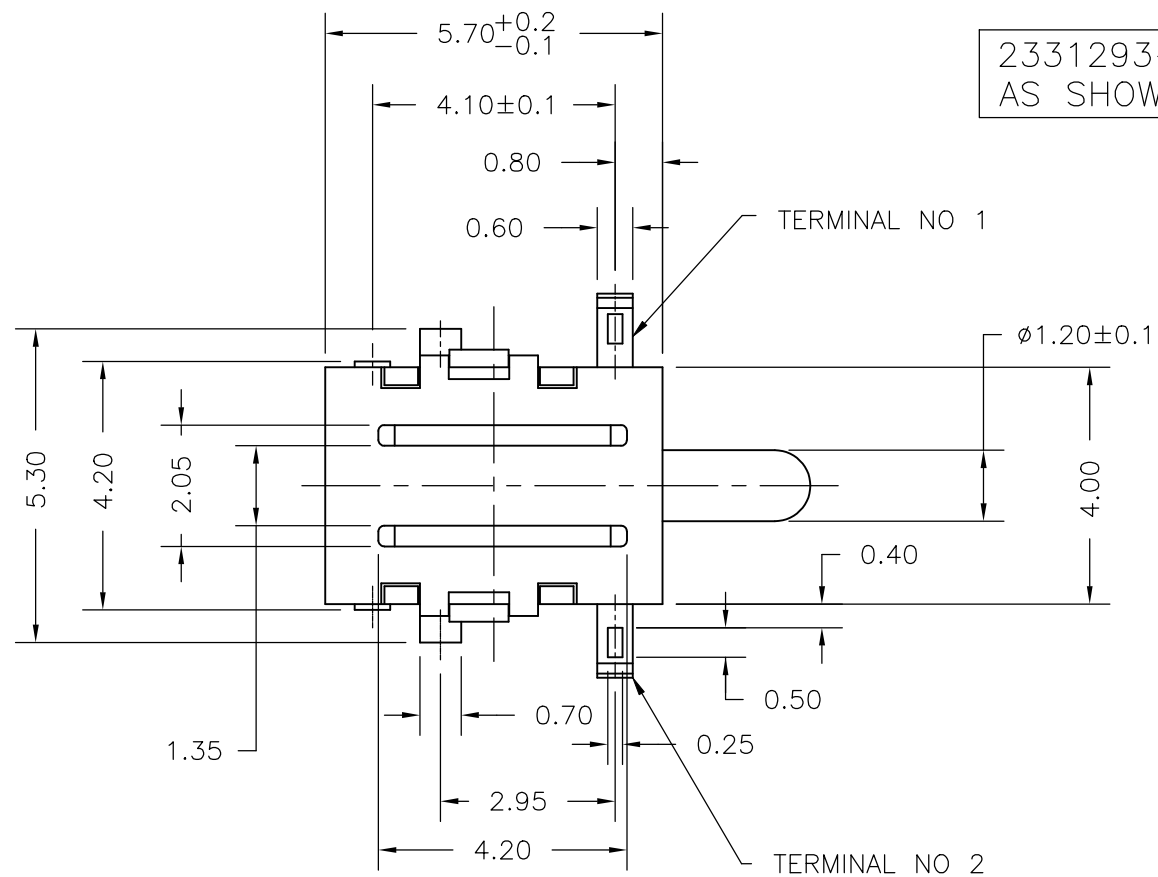
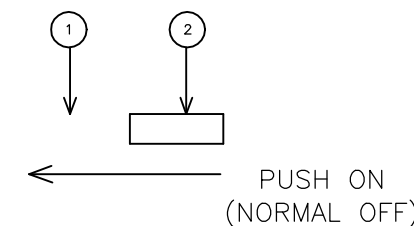
ALL RIGHTS RESERVED.

P	LTR	DESCRIPTION	DATE	DWN	APVD
A		ECR-18-012767	16AUG2018	RSM	AS

2331293-1
AS SHOWN

PCB LAYOUT
(VIEWED FROM THE DIRECTION "A")

CIRCUIT DIAGRAM(NORMAL)



THIS DRAWING IS A CONTROLLED DOCUMENT.		DWN RAV.I.S 16APR2018	TE Connectivity Ltd.													
DIMENSIONS: mm		CHK ALEXANDER SHARPE 16APR2018														
TOLERANCES UNLESS OTHERWISE SPECIFIED:		APVD ALEXANDER SHARPE 16APR2018	NAME DETECTOR SWITCH, JJM SERIES, 5.7X4.0mm, HORIZONTAL, SMT, POSTS													
<table border="0"> <tr><td>0 PLC</td><td>± -</td></tr> <tr><td>1 PLC</td><td>± -</td></tr> <tr><td>2 PLC</td><td>± 0.20</td></tr> <tr><td>3 PLC</td><td>± -</td></tr> <tr><td>4 PLC</td><td>± -</td></tr> <tr><td>ANGLES</td><td>± -</td></tr> </table>		0 PLC	± -	1 PLC	± -	2 PLC	± 0.20	3 PLC	± -	4 PLC	± -	ANGLES	± -	PRODUCT SPEC -	SIZE A3	
0 PLC	± -															
1 PLC	± -															
2 PLC	± 0.20															
3 PLC	± -															
4 PLC	± -															
ANGLES	± -															
MATERIAL -		FINISH -	APPLICATION SPEC -	CAGE CODE 00779												
		WEIGHT -	DRAWING NO C-2331293	RESTRICTED TO -												
CUSTOMER DRAWING			SCALE 8:1	SHEET 1 of 3												
			REV A													

4

3

2

1

THIS DRAWING IS UNPUBLISHED. RELEASED FOR PUBLICATION
 © COPYRIGHT - TE Connectivity Ltd. ALL RIGHTS RESERVED.

REVISIONS					
P	LTR	DESCRIPTION	DATE	DWN	APVD
-	-	SEE SHEET 1	-	-	-

-THE DIRECTION OF PILOT HOLES-

NOTE
1. 1,900 SWITCHES PER REEL

THIS DRAWING IS A CONTROLLED DOCUMENT.		DWN RAVI.S 16APR2018	TE Connectivity Ltd.		
DIMENSIONS: mm		CHK ALEXANDER SHARPE 16APR2018			
TOLERANCES UNLESS OTHERWISE SPECIFIED:		APVD ALEXANDER SHARPE 16APR2018	DETECTOR SWITCH, JJM SERIES, 5.7X4.0mm, HORIZONTAL, SMT, POSTS		
0 PLC ± - 1 PLC ± - 2 PLC ± 0.20 3 PLC ± - 4 PLC ± - ANGLES ± -		PRODUCT SPEC	SIZE	CAGE CODE	DRAWING NO
MATERIAL		FINISH	A3	00779	C-2331293
		WEIGHT	RESTRICTED TO		
		CUSTOMER DRAWING	SCALE	SHEET	REV
			1:1	2 of 3	A

1470-19 (1/15)

THIS DRAWING IS UNPUBLISHED. RELEASED FOR PUBLICATION
 © COPYRIGHT - TE Connectivity Ltd. ALL RIGHTS RESERVED.

REVISIONS

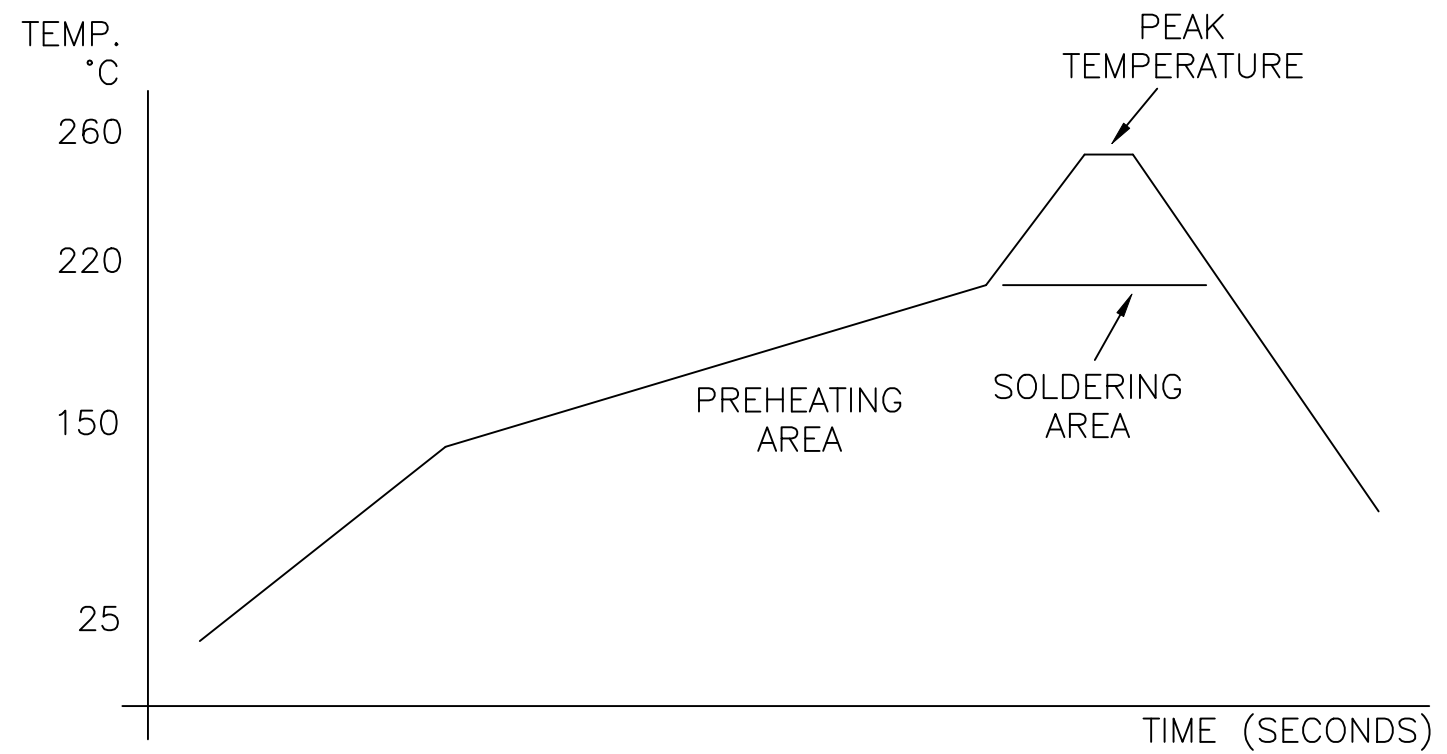
P	LTR	DESCRIPTION	DATE	DWN	APVD
-	-	SEE SHEET 1	-	-	-

SOLDERING CONDITIONS

REFLOW SOLDERING:

- 1 PREHEAT: 150 TO 200°C, 120±20 SECONDS
- 2 PEAK TEMPERATURE: 260°C MAXIMUM, 10 SECONDS
- 3 SOLDERING AREA TEMPERATURE: 217°C, 90 TO 120 SECONDS

1. RATING: DC 12V, 100mA(RESISTIVE LOAD)
2. OPERATING FORCE: 70gf MAX
3. LIFE CYCLE: 50,000 CYCLES WITHOUT LOAD
4. CONTACT RESISTANCE: 80mΩ MAXIMUM
5. INSULATION RESISTANCE: 100MΩ MINIMUM
6. OPERATING TEMPERATURE RANGE: -10° TO 60°C
7. STORAGE TEMPERATURE RANGE: -30° TO 80°C. NOTE: 96 HOURS MAXIMUM FOR CONTINUOUS STORAGE OVER A RANGE -20 TO -30°C AND 70 TO 80°C
8. COMPLIANCE- ALL MATERIALS AND FINISHES SHALL COMPLY WITH EU DIRECTIVE 2002/95/EC OF 27 JAN 2003 (RoHS)



TEMPERATURE PROFILE

-	-	-	STAINLESS STEEL	COIL SPRING
BLACK	UL 94V-0	-	THERMOPLASTIC	ACTUATOR
-	-	SILVER CLAD	COPPER ALLOY	CONTACTOR
-	-	SILVER PLATING	COPPER ALLOY	TERMINAL
-	-	TIN PLATING	STEEL	COVER
BLACK	UL 94V-0	-	THERMOPLASTIC	CASE
COLOR	RATING	FINISH	MATERIAL	PART NAME

JJMHOUG200NOPMRTR	2331293-1
SMART PART NUMBER	PART NUMBER

THIS DRAWING IS A CONTROLLED DOCUMENT.

DIMENSIONS: mm	TOLERANCES UNLESS OTHERWISE SPECIFIED: 0 PLC ± - 1 PLC ± - 2 PLC ± 0.20 3 PLC ± - 4 PLC ± - ANGLES ± -	DWN 16APR2018 RAVI.S CHK 16APR2018 ALEXANDER SHARPE APVD 16APR2018 ALEXANDER SHARPE PRODUCT SPEC - APPLICATION SPEC - WEIGHT	TE Connectivity Ltd. NAME DETECTOR SWITCH, JJM SERIES, 5.7X4.0mm, HORIZONTAL, SMT, POSTS	
MATERIAL	FINISH	CUSTOMER DRAWING	SIZE A3	CAGE CODE 00779
		SCALE 1:1	DRAWING NO C-2331293	RESTRICTED TO -
		SHEET 3 of 3	REV A	