



Chipsmall Limited consists of a professional team with an average of over 10 year of expertise in the distribution of electronic components. Based in Hongkong, we have already established firm and mutual-benefit business relationships with customers from,Europe,America and south Asia,supplying obsolete and hard-to-find components to meet their specific needs.

With the principle of “Quality Parts,Customers Priority,Honest Operation,and Considerate Service”,our business mainly focus on the distribution of electronic components. Line cards we deal with include Microchip,ALPS,ROHM,Xilinx,Pulse,ON,Everlight and Freescale. Main products comprise IC,Modules,Potentiometer,IC Socket,Relay,Connector.Our parts cover such applications as commercial,industrial, and automotives areas.

We are looking forward to setting up business relationship with you and hope to provide you with the best service and solution. Let us make a better world for our industry!



Contact us

Tel: +86-755-8981 8866 Fax: +86-755-8427 6832

Email & Skype: info@chipsmall.com Web: www.chipsmall.com

Address: A1208, Overseas Decoration Building, #122 Zhenhua RD., Futian, Shenzhen, China



4

3

2

1

THIS DRAWING IS UNPUBLISHED.

RELEASED FOR PUBLICATION

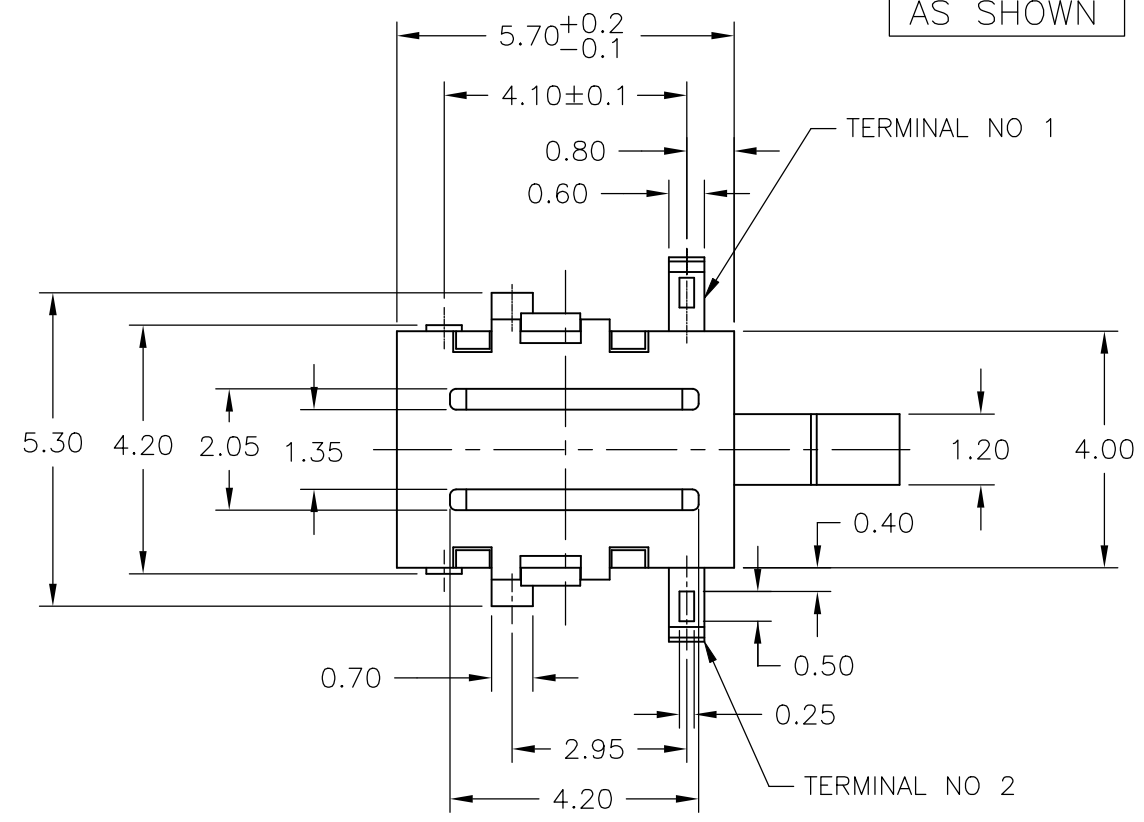
REVISIONS

© COPYRIGHT - TE Connectivity Ltd.

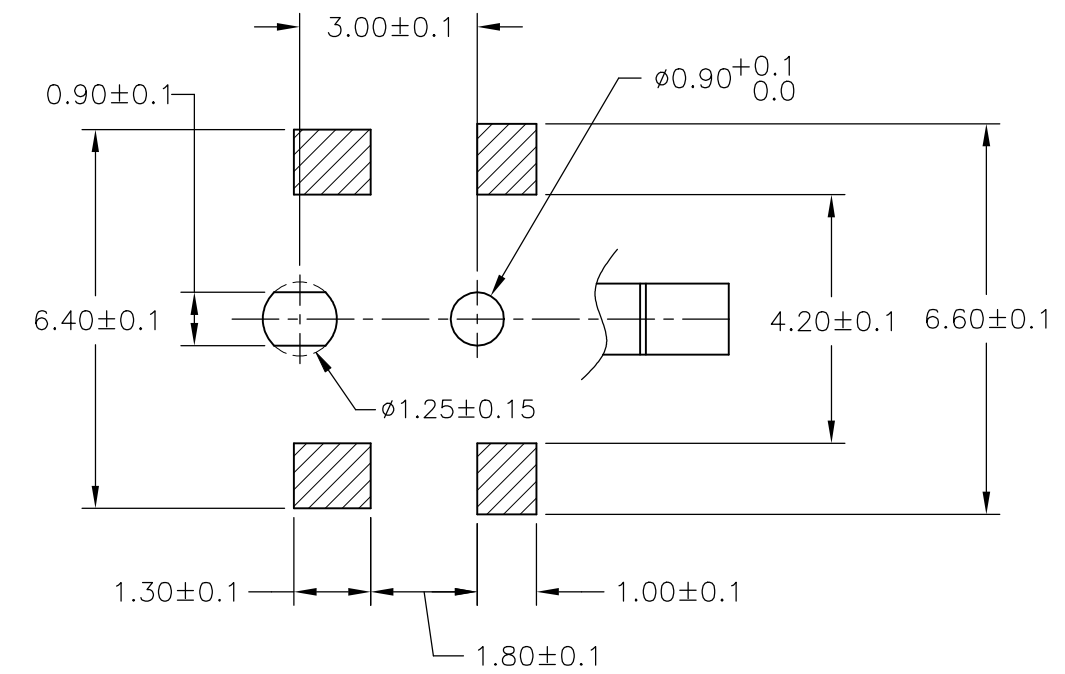
ALL RIGHTS RESERVED.

P	LTR	DESCRIPTION	DATE	DWN	APVD
	A	ECR-18-012767	16AUG2018	RSM	AS

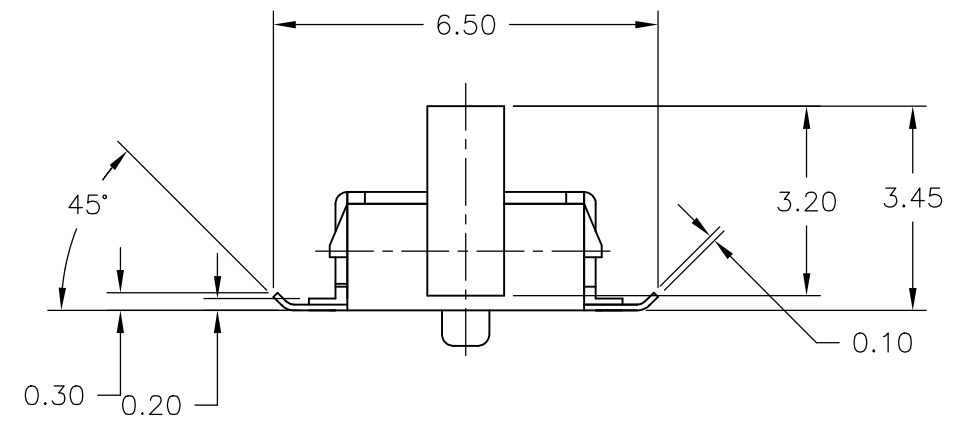
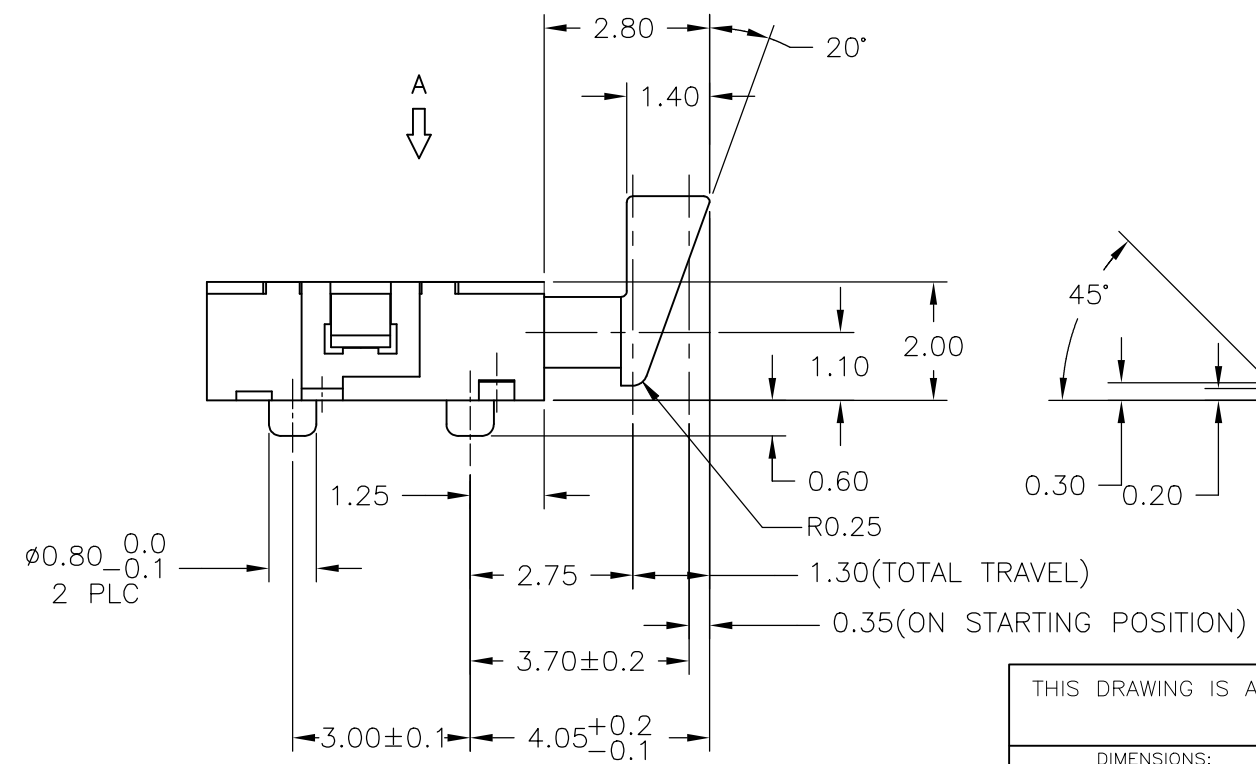
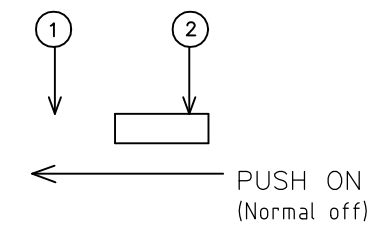
2331329-1
AS SHOWN



PCB LAYOUT
(VIEWED FROM THE DIRECTION "A")



CIRCUIT DIAGRAM(NORMAL)



THIS DRAWING IS A CONTROLLED DOCUMENT.		DWN	20APR2018		 TE Connectivity Ltd.
		CHK	20APR2018		
		APVD	20APR2018		
		PRODUCT SPEC			
DIMENSIONS: mm		TOLERANCES UNLESS OTHERWISE SPECIFIED:		NAME	
		0 PLC ± -		ALEXANDER SHARPE	
		1 PLC ± -		ALEXANDER SHARPE	
		2 PLC ± 0.20		ALEXANDER SHARPE	
		3 PLC ± -		APPLICATION SPEC	
		4 PLC ± -		-	
ANGLES ± -		-		SIZE	
MATERIAL		FINISH		CAGE CODE	
-		-		DRAWING NO	
				A3 00779 C-2331329	
		WEIGHT		RESTRICTED TO	
		-		-	
		CUSTOMER DRAWING		SCALE	
				8:1	
				SHEET	
				1 of 3	
				REV	
				A	

4

3

2

1

THIS DRAWING IS UNPUBLISHED.

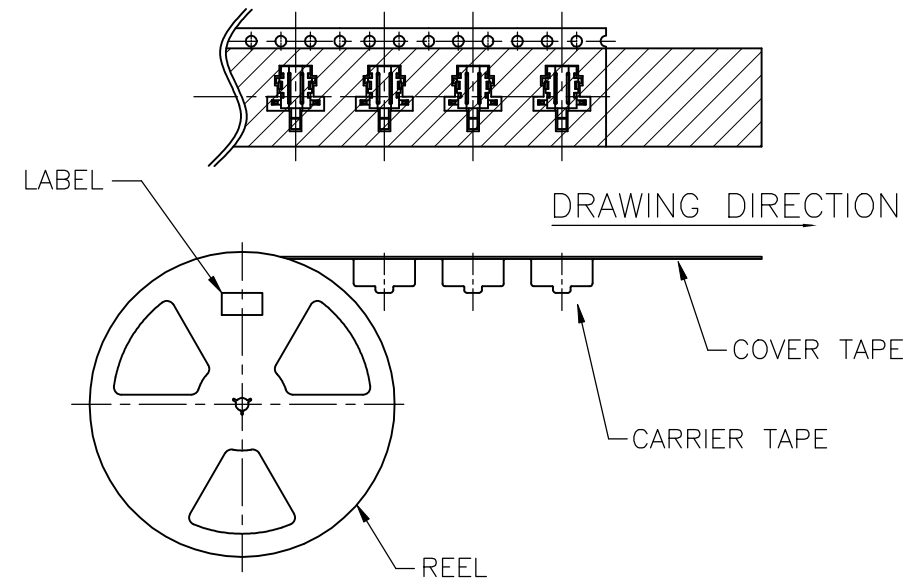
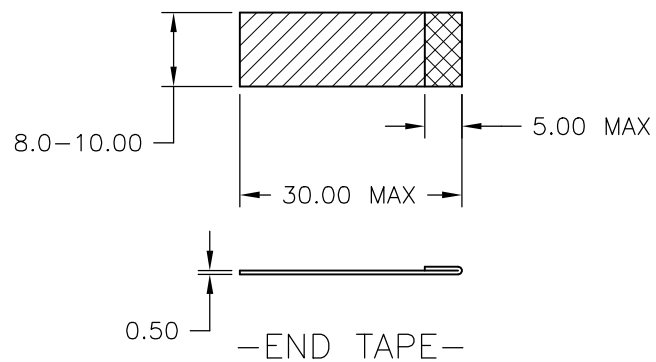
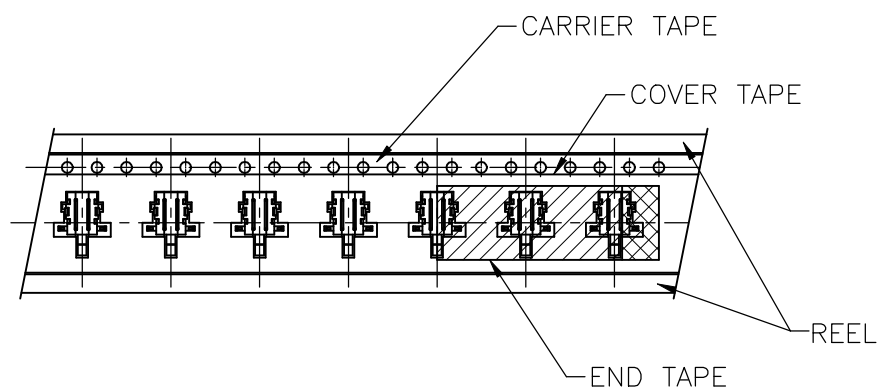
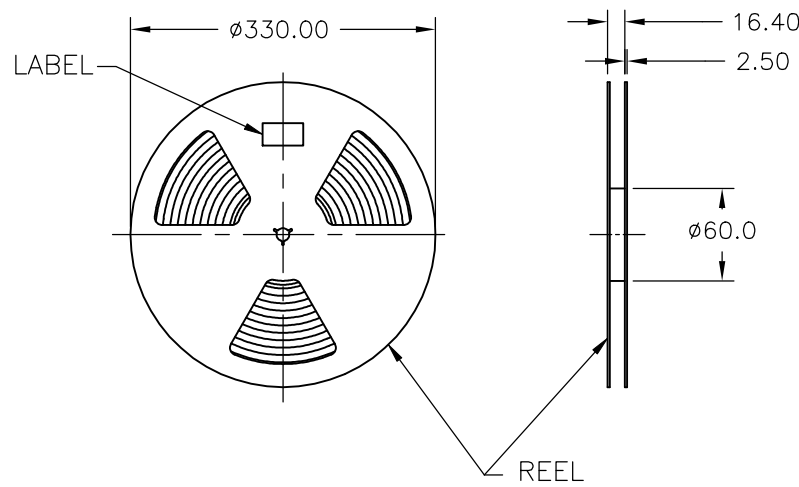
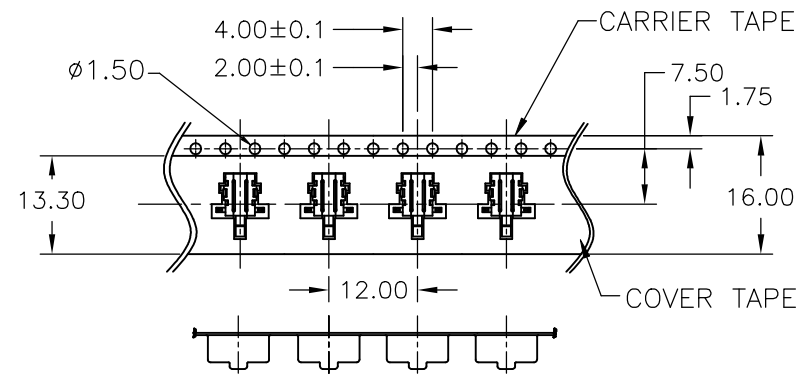
RELEASED FOR PUBLICATION

REVISIONS

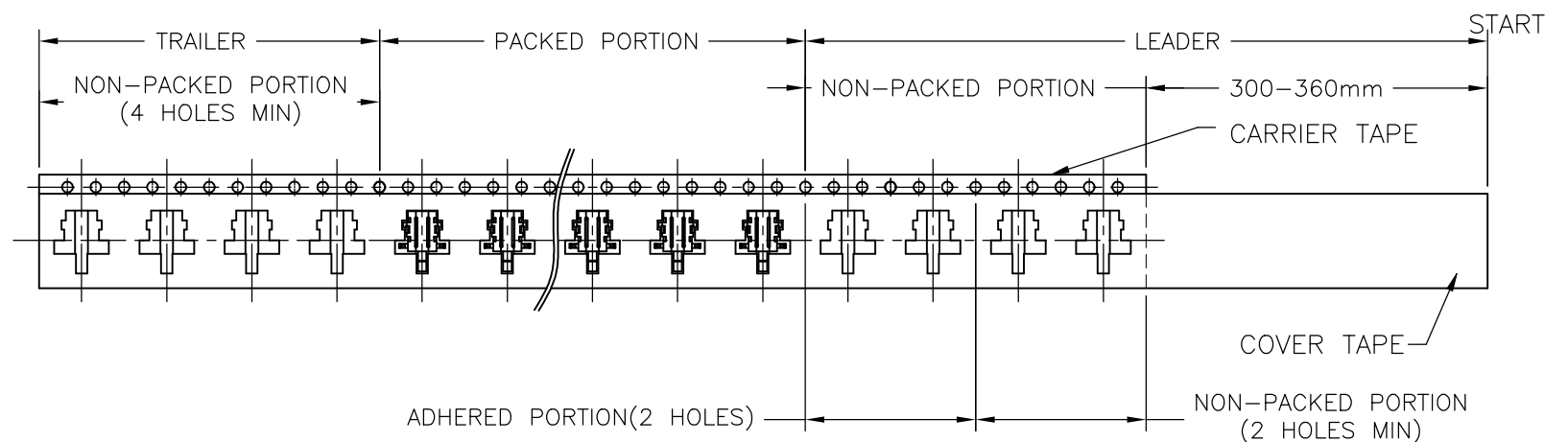
© COPYRIGHT - TE Connectivity Ltd.

ALL RIGHTS RESERVED.


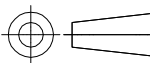
P	LTR	DESCRIPTION	DATE	DWN	APVD
-	-	SEE SHEET 1	-	-	-



-THE DIRECTION OF PILOT HOLES-



NOTE
1. 1,200 SWITCHES PER REEL

THIS DRAWING IS A CONTROLLED DOCUMENT.		DWN	20APR2018		 TE Connectivity Ltd.
		CHK	20APR2018		
		APVD	20APR2018		
		NAME	ALEXANDER SHARPE		
DIMENSIONS: mm		TOLERANCES UNLESS OTHERWISE SPECIFIED:		PRODUCT SPEC	DETECTOR SWITCH, J2N SERIES, 5.7X4.0mm, HORIZONTAL, SMT, POSTS
		0 PLC ± - 1 PLC ± - 2 PLC ± 0.20 3 PLC ± - 4 PLC ± - ANGLES ± -		APPLICATION SPEC	
MATERIAL		FINISH		WEIGHT	RESTRICTED TO
-		-		CUSTOMER DRAWING	SIZE: A3 CAGE CODE: 00779 DRAWING NO: C-2331329
		SCALE: 1:1		SHEET: 2 of 3	REV: A

THIS DRAWING IS UNPUBLISHED.

RELEASED FOR PUBLICATION

© COPYRIGHT - TE Connectivity Ltd.

ALL RIGHTS RESERVED.

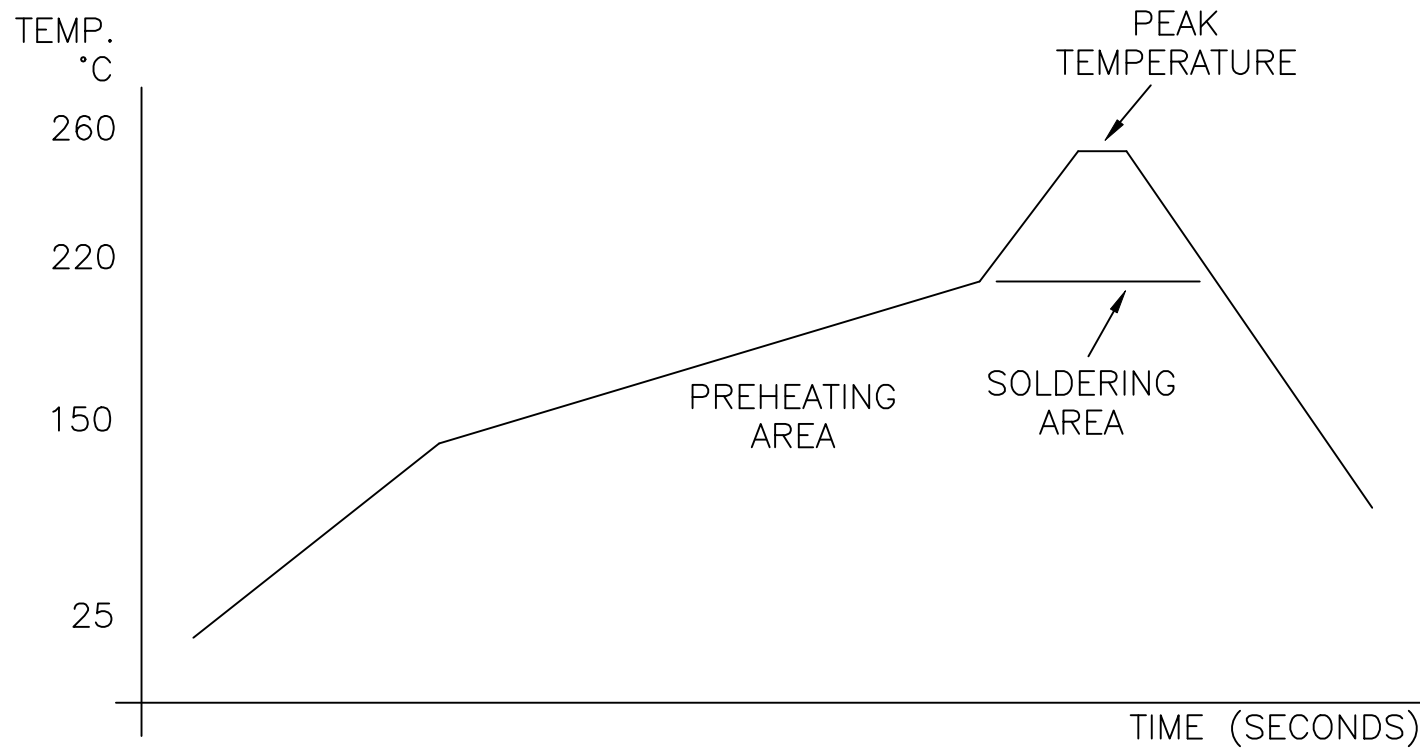
REVISIONS

P	LTR	DESCRIPTION	DATE	DWN	APVD
-	-	SEE SHEET 1	-	-	-

SOLDERING CONDITIONS

REFLOW SOLDERING:

- 1 PREHEAT: 150 TO 200°C, 120±20 SECONDS
- 2 PEAK TEMPERATURE: 260°C MAXIMUM, 10 SECONDS
- 3 SOLDERING AREA TEMPERATURE: 217°C, 90 TO 120 SECONDS



TEMPERATURE PROFILE

- 1 RATING: DC 12V, 100mA(RERESISTIVE LOAD)
- 2 OPERATING FORCE: 70gf MAX
- 3 LIFE CYCLE: 50,000 CYCLES WITHOUT LOAD
- 4 CONTACT RESISTANCE: 80mΩ MAXIMUM
- 5 INSULATION RESISTANCE: 100MΩ MINIMUM
- 6 OPERATING TEMPERATURE RANGE: -10° TO 60°C
- 7 STORAGE TEMPERATURE RANGE: -30° TO 80°C. NOTE: 96 HOURS MAXIMUM FOR CONTINUOUS STORAGE OVER A RANGE -20 TO -30°C AND 70 TO 80°C
- 8 COMPLIANCE- ALL MATERIALS AND FINISHES SHALL COMPLY WITH EU DIRECTIVE 2002/95/EC OF 27 JAN 2003 (RoHS)

-	-	-	STAINLESS STEEL	COIL SPRING
BLACK	UL 94V-0	-	NYLON	ACTUATOR
-	-	SILVER CLAD	COPPER ALLOY	CONTACTOR
-	-	SILVER PLATING	COPPER ALLOY	TERMINAL
-	-	TIN PLATING	STEEL	COVER
BLACK	UL 94V-0	-	NYLON	CASE
COLOR	RATING	FINISH	MATERIAL	PART NAME

JJNHWUG200NOPMRTR	2331329-1
SMART PART NUMBER	PART NUMBER

THIS DRAWING IS A CONTROLLED DOCUMENT.		DWN 20APR2018 RAVI.S	STE TE Connectivity Ltd.	
DIMENSIONS: mm		CHK 20APR2018 ALEXANDER SHARPE		
TOLERANCES UNLESS OTHERWISE SPECIFIED:		APVD 20APR2018 ALEXANDER SHARPE	NAME DETECTOR SWITCH, J2N SERIES, 5.7X4.0mm, HORIZONTAL, SMT, POSTS	
0 PLC ± -		PRODUCT SPEC	SIZE CAGE CODE DRAWING NO RESTRICTED TO	
1 PLC ± -		APPLICATION SPEC	A3 00779 C-2331329 -	
2 PLC ± 0.20		WEIGHT	SCALE 1:1 SHEET 3 OF 3 REV A	
3 PLC ± -		CUSTOMER DRAWING		
4 PLC ± -				
ANGLES ± -				
MATERIAL -				
FINISH -				