



Chipsmall Limited consists of a professional team with an average of over 10 year of expertise in the distribution of electronic components. Based in Hongkong, we have already established firm and mutual-benefit business relationships with customers from,Europe,America and south Asia,supplying obsolete and hard-to-find components to meet their specific needs.

With the principle of “Quality Parts,Customers Priority,Honest Operation,and Considerate Service”,our business mainly focus on the distribution of electronic components. Line cards we deal with include Microchip,ALPS,ROHM,Xilinx,Pulse,ON,Everlight and Freescale. Main products comprise IC,Modules,Potentiometer,IC Socket,Relay,Connector.Our parts cover such applications as commercial,industrial, and automotives areas.

We are looking forward to setting up business relationship with you and hope to provide you with the best service and solution. Let us make a better world for our industry!



Contact us

Tel: +86-755-8981 8866 Fax: +86-755-8427 6832


Email & Skype: info@chipsmall.com Web: www.chipsmall.com

Address: A1208, Overseas Decoration Building, #122 Zhenhua RD., Futian, Shenzhen, China




NOTES: UNLESS OTHERWISE SPECIFIED

- THIS COMPONENT CONFORMS TO UL60950. UL FILE NO. IS: E216117.

	WARNING: THIS COMPONENT IS RECOGNIZED BY ONE OR MORE SAFETY AGENCIES SUCH AS UL, VDE, CSA AND/OR TUV. ALL ENGINEERING CHANGES MUST HAVE PRIOR APPROVAL BY THE DESIGN CENTER QUALITY DEPARTMENT FOR SAFETY AGENCY COMPLIANCE.	EDN APPROVAL: QA APPROVAL: DATE:

-

	NOTICE: THIS IS A RoHS COMPLIANT COMPONENT/PRODUCT. ALL ENGINEERING CHANGES MUST HAVE PRIOR APPROVAL BY THE DESIGN CENTER.

- PLASTIC HOUSING: THERMOPLASTIC MATERIAL WITH FLAMMABILITY RATING UL 94V-0 OR BETTER.
- CONTACT BASE MATERIAL: PHOSPHOR BRONZE.
- CONTACTS UNDERPLATE: 30-50 MICROINCHES DUCTILE NICKEL.
- CONTACTS PLATING: 30 MICROINCHES GOLD PLATING.
- SOLDER TAIL PLATING MATERIAL: 200-500 MICROINCHES 100% TIN, MATTE FINISH.
- METAL SHIELD: NICKEL PLATING ON COPPER ALLOY.

- JACK CAVITY CONFORMS TO FCC RULES AND REGULATIONS PART 68 SUBPART F.

- PCB PLATING: EG.

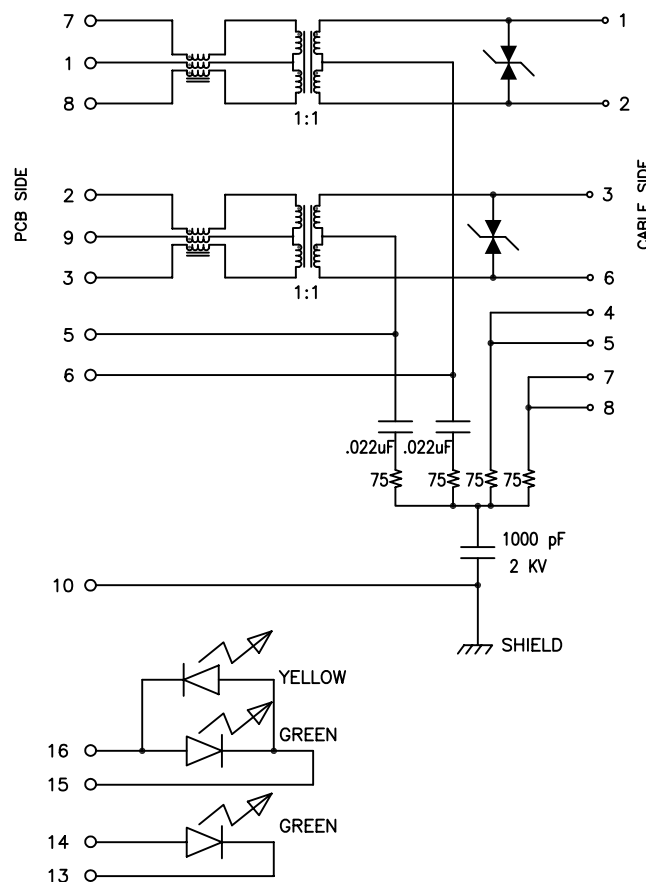
- SOLDERABILITY: CONFORMS TO ANSI/J-STD-002, IPC/EIA J-STD-003A.

- OPERATING TEMPERATURE: 0°C TO +70°C

- STORAGE TEMPERATURE: -20°C TO +125°C

- JEDEC MOISTURE: LEVEL 1.

- DIMENSIONS ARE IN INCHES [MILLIMETERS] WITH THE FOLLOWING TOLERANCES: [MILLIMETERS] ARE FOR REFERENCE ONLY.
 .XX= ±.02 [±0.5]
 .XXX= ±.010 [±0.25]



SCHMATIC

ELECTRICAL CHARACTERISTICS AT +25°C UNLESS OTHERWISE SPECIFIED (FOR REFERENCE ONLY. USED FOR CUSTOMER INFORMATION.)

PARAMETER	SPECIFICATION	
OPERATING TEMP	0°C-70°C	
URNS RATIO	1 : 1 ±2%	
POLARITY	PER SCHEMATIC	
INSERTION LOSS	100 KHz	1-125 MHz
	-1.2 dB MAX	-0.2-0.002*f ^{1.4} dB MAX
RETURN LOSS (Z OUT = 100 OHM ±15%)	.1-30 MHz	30-60 MHz
	-16 dB MIN	-10+20*LOG ₁₀ (f/60 MHz) dB MIN
INDUCTANCE (OCL) (MEDIA SIDE, 0°C-70°C)	350 uH MIN (MEASURED AT 100 KHz, 100 mVRMS AND WITH 8 mA DC BIAS)	
	1 MHz	10-100 MHz
CROSSTALK, ADJACENT CHANNELS	-50 dB MIN	-55+22*LOG ₁₀ (f/10) dB MIN
	2 MHz	30-200 MHz
COMMON MODE REJECTION RATIO	-50 dB MIN	-15+20*LOG ₁₀ (f/200) dB MIN
	.65 OHMS MAX	
DC RESISTANCE, 1/2 WINDING	.65 OHMS MAX	
DC RESISTANCE IMBALANCE	±.065 OHMS MAX (CENTER TAP SYMMETRY)	
INPUT - OUTPUT ISOLATION	1500 VRMS MIN @ 60 SECONDS	

NOTE: f IS FREQUENCY IN MHz.

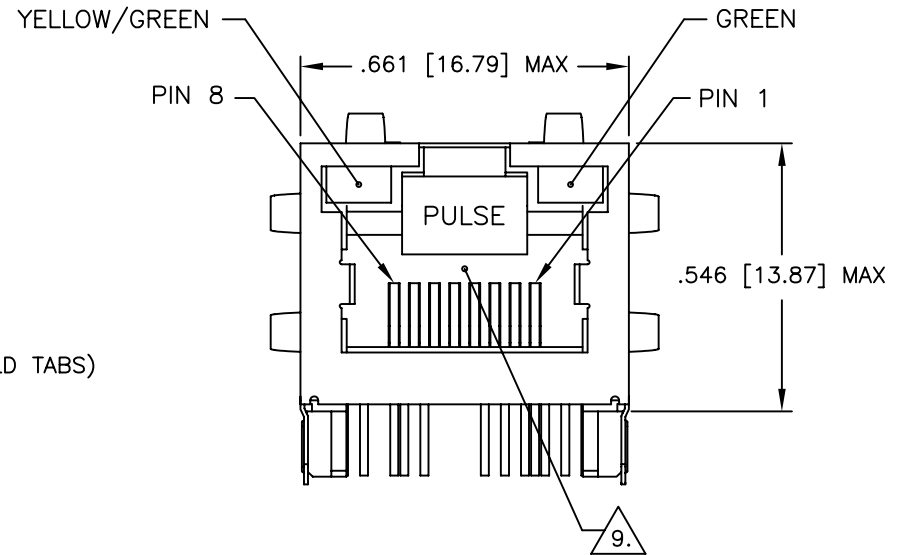
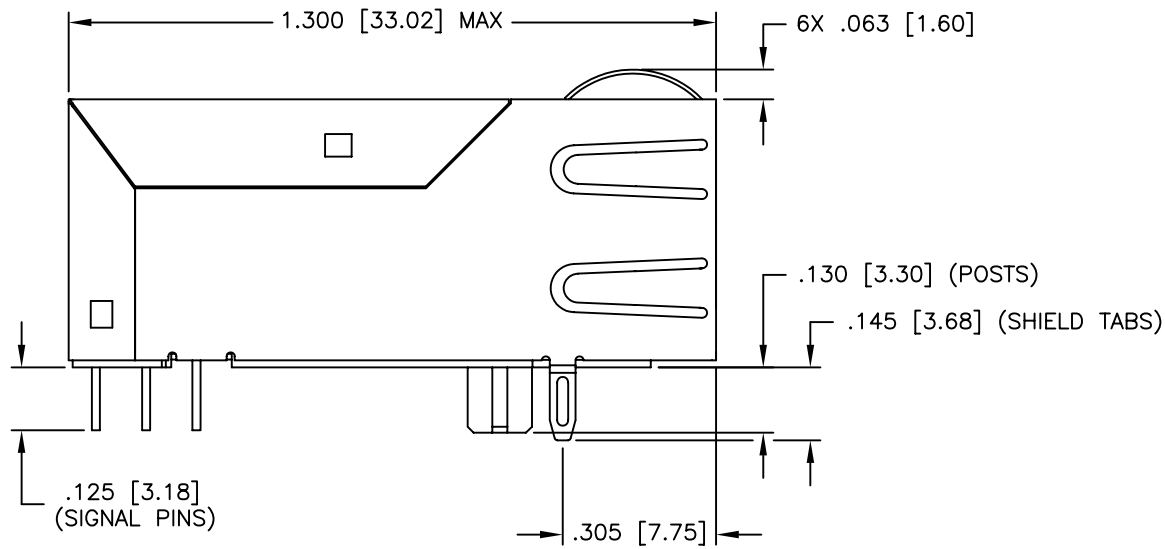
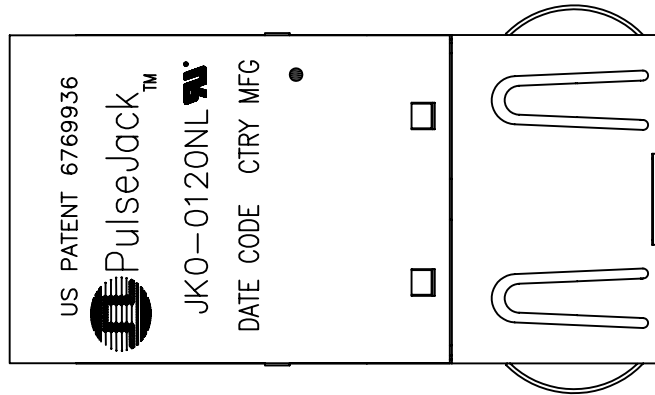
EMMITTED COLOR	GREEN	GREEN	YELLOW
WAVELENGTH (nm)	568 nM	568 nM	585 nM
BRIGHTNESS (mCD)	12 TYP. @ 20 mA	8.5 TYP. @ 20 mA	6.0 TYP. @ 20 mA
VIEWING ANGLE	100°	100°	100°
POWER DISSIPATION (Pd)	68 mW MAX	100 mW MAX	100 mW MAX
DC FORWARD CURRENT	150 mA MAX	150 mA MAX	150 mA MAX
FORWARD VOLTAGE (Vf)	2.2 TO 2.7 VOLTS	2.2 TO 2.6 VOLTS	2.1 TO 2.6 VOLTS
REVERSE VOLTAGE (Vr)	5.0 V MAX	5.0 V MAX	5.0 V MAX

NOTE: PER VENDOR'S SPECIFICATIONS

BI-COLOR

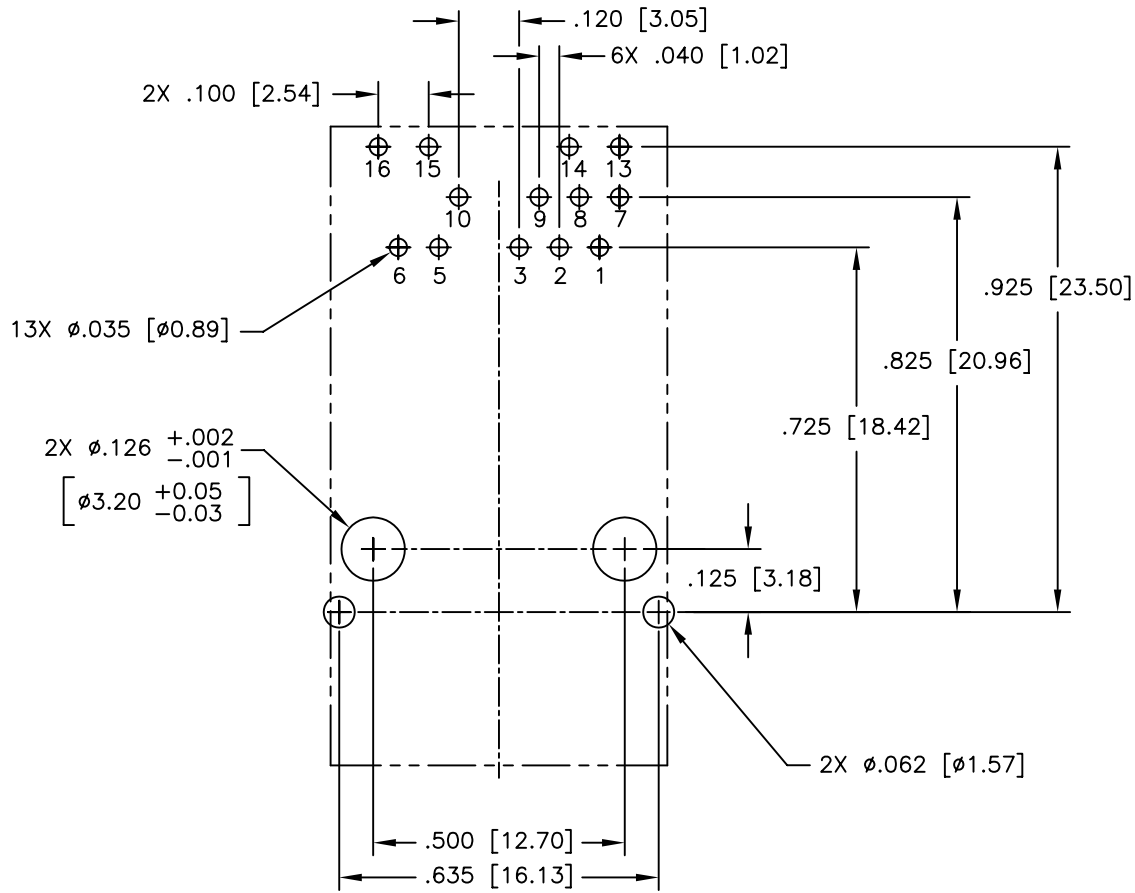
© Copyright, 2010. Pulse Electronics Corp. All rights reserved. Drawing specifications subject to change without notice. (12/07/10)

PULSE CONFIDENTIAL & PROPRIETARY	PRODUCT DESCRIPTION	PS DRAWING	SHEET:	DWG. NO./ PART NO.	REV.
	CONN,RJ45,1X1,100P,1:1,TY	PS-2390.009-B	1	JK0-0120NL	M10

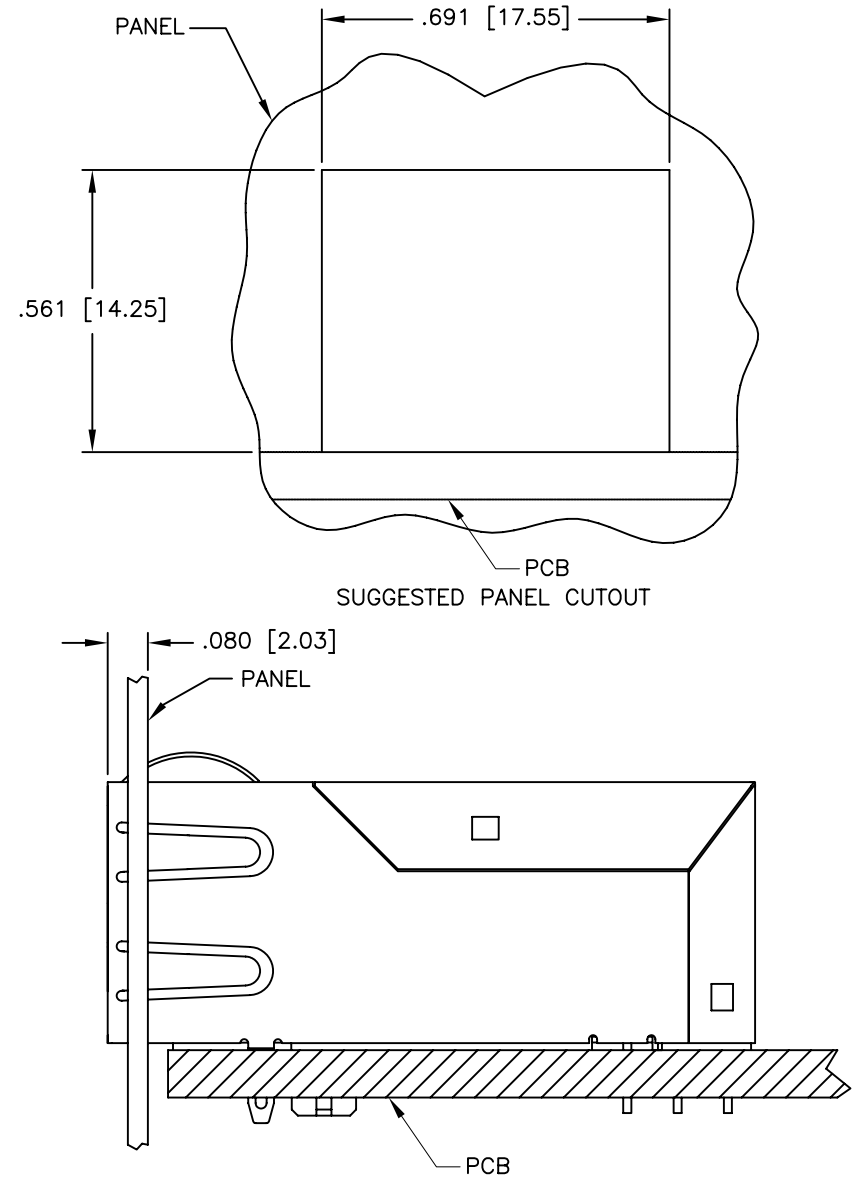


© Copyright, 2010. Pulse Electronics Corp. All rights reserved. Drawing specifications subject to change without notice. (12/07/10)

PULSE CONFIDENTIAL & PROPRIETARY	PRODUCT DESCRIPTION	PS DRAWING	SHEET:	DWG. NO./ PART NO.	REV.
	CONN,RJ45,1X1,100P,1:1,TY	PS-2390.009-B	2	JK0-0120NL	M10



FRONT OF CONNECTOR
 SUGGESTED PCB LAYOUT
 (COMPONENT SIDE SHOWN)
 DIMENSIONAL TOLERANCE:
 .XXX \pm .003 [X.XX \pm 0.08]



© Copyright, 2010. Pulse Electronics Corp. All rights reserved. Drawing specifications subject to change without notice. (12/07/10)

PULSE CONFIDENTIAL & PROPRIETARY	PRODUCT DESCRIPTION	PS DRAWING	SHEET:	DWG. NO./ PART NO.	REV.
		CONN,RJ45,1X1,100P,1:1,TY	PS-2390.009-B	3	JK0-0120NL