



Chipsmall Limited consists of a professional team with an average of over 10 year of expertise in the distribution of electronic components. Based in Hongkong, we have already established firm and mutual-benefit business relationships with customers from,Europe,America and south Asia,supplying obsolete and hard-to-find components to meet their specific needs.

With the principle of “Quality Parts,Customers Priority,Honest Operation,and Considerate Service”,our business mainly focus on the distribution of electronic components. Line cards we deal with include Microchip,ALPS,ROHM,Xilinx,Pulse,ON,Everlight and Freescale. Main products comprise IC,Modules,Potentiometer,IC Socket,Relay,Connector.Our parts cover such applications as commercial,industrial, and automotives areas.

We are looking forward to setting up business relationship with you and hope to provide you with the best service and solution. Let us make a better world for our industry!



Contact us

Tel: +86-755-8981 8866 Fax: +86-755-8427 6832

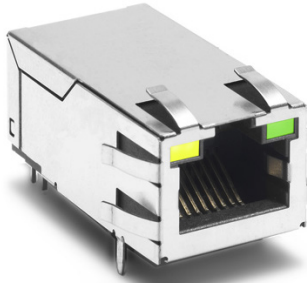
Email & Skype: info@chipsmall.com Web: www.chipsmall.com

Address: A1208, Overseas Decoration Building, #122 Zhenhua RD., Futian, Shenzhen, China



Description:

100/1000 Base-T single port (1x1) RJ45 integrated connector module (ICM), designed to support Network Interface Cards (NIC), LAN-on-Motherboard (LOM), and PC applications. Available in TAB-UP configuration and with or without LEDs.



Features and Benefits:

- Ⓜ Compliant with IEEE 802.3 standard
- Ⓜ 350μH minimum OCL with 8mA bias current
- Ⓜ Suitable for CAT 5 and 6 Fast Ethernet cable or better UTP
- Ⓜ High performance for maximum EMI suppression
- Ⓜ RoHS peak wave solder temperature rating 260°C

Electrical Specifications @ 25°C - Operating Temperature 0°C to +70°C

RoHS Part Number	Tab Orientation	LEDs L/R	Insertion Loss TX/RX (dB)	Return Loss (dB TYP) 100Ω (± 15 Ω)					Crosstalk (dB TYP)			Common Mode Rejection (dB TYP)		Hipot @ 60Hz 1 MIN
				1-100 MHz	1-10 MHz	30 MHz	60-80 MHz	80-100 MHz	1-10 MHz	30-60 MHz	60-100 MHz	1-125 MHz	125-500 MHz	
JKO-0117NL	UP	NONE	-1.0	-20	-16	-12	-10	-40	-35	-30	-30	-20	2250 VDC	
JKO-0136NL	UP	Y-G/G	-1.0	-20	-16	-12	-10	-40	-35	-30	-30	-20	2250VDC	
JKO-0187NL	UP	G/G	-1.0	-20	-16	-12	-10	-40	-35	-30	-30	-20	2250VDC	
JKO-0193NL	UP	G/Y	-1.0	-20	-16	-12	-10	-40	-35	-30	-30	-20	2250VDC	

Notes: 1. LEDs Left/Right: **G** = green; **Y** = yellow; **Y-G** = Bicolor

RJ45 Durability Testing Rating

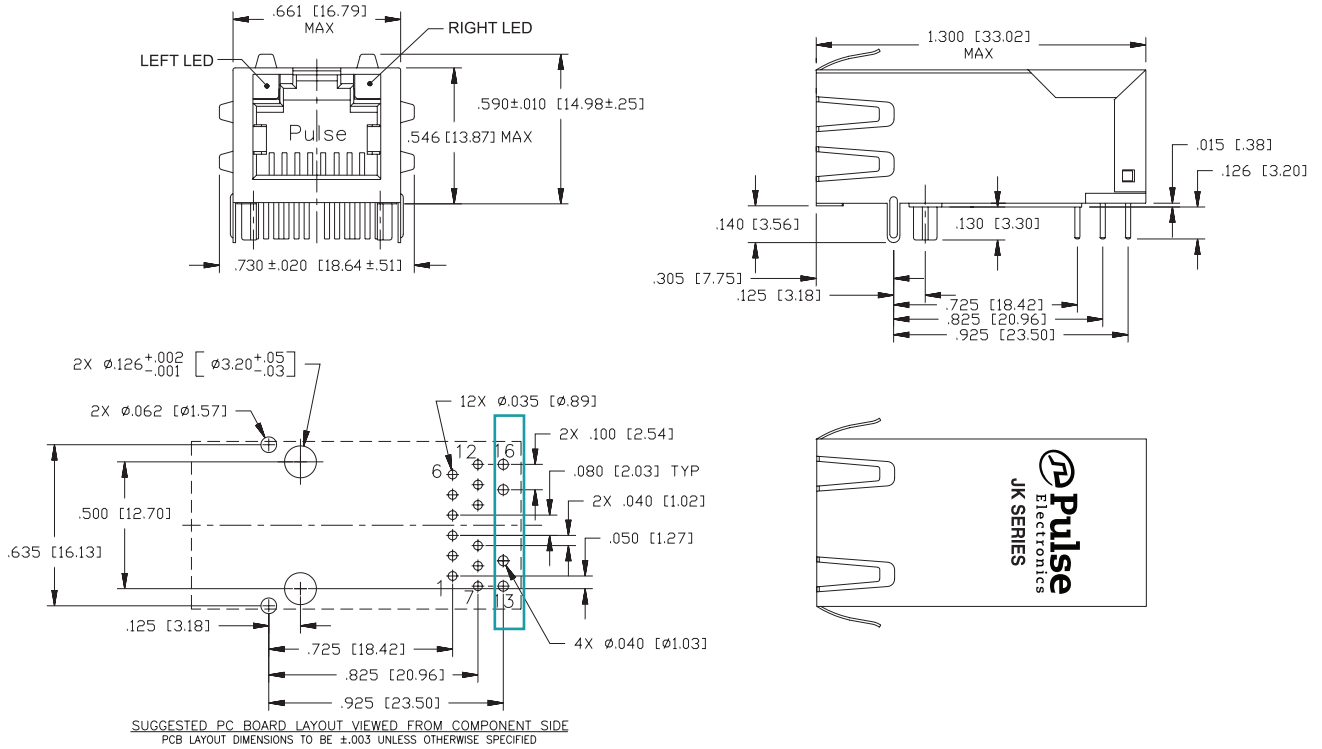
Part Number	Mating Force (MAX)	Unmating Force (MAX)	Durability	Plug to Jack Retention (MIN)
JK Series	5 lbs./2.268 kgs.	5 lbs./2.268 kgs.	750 Insertions	20 lbs./9.072 kgs.

RJ45 Material Specification

Part Number	Shield		Contact			Housing		
	Material	Finish	Material	Plating Area	Solder Area	Material	Specification	MSL
JK Series	Brass	30-50μ inches thick Nickel over brass	Phosphor Bronze	30μ inches gold over 50μ inches nickel	Tin matte finish	Thermoplastic	UL 94 V-0	1

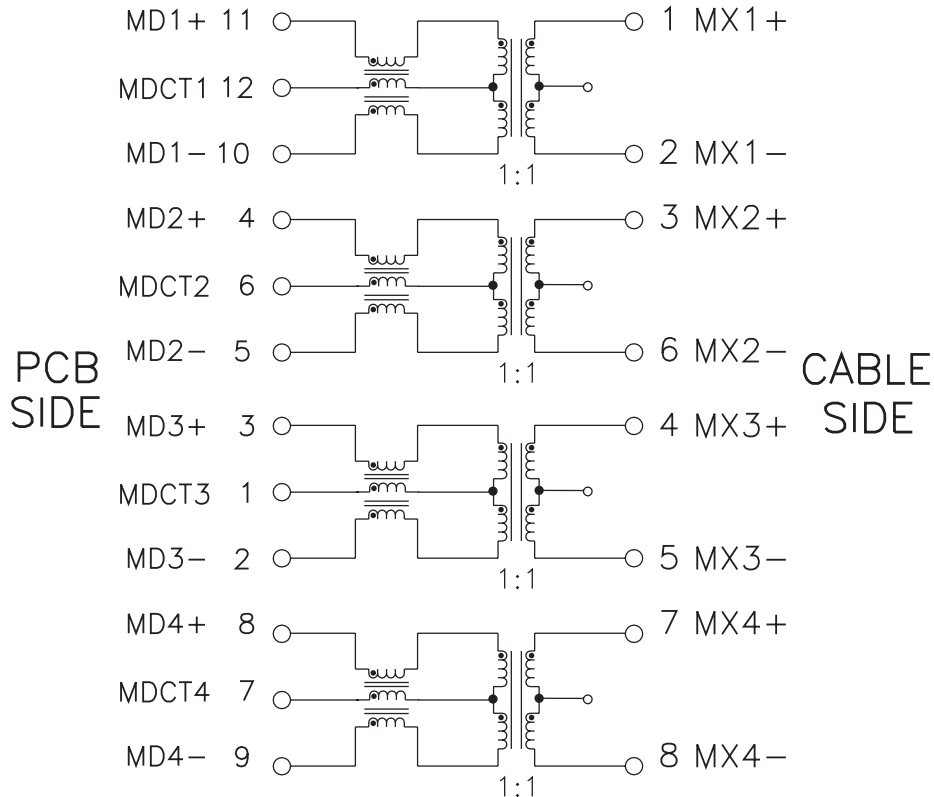
Notes: 1. Connector dimensions comply with FCC dimension requirements. 2. MSL = Moisture Sensitivity Level class limits = 1 to 5, highest (1) to lowest (5)

Mechanicals



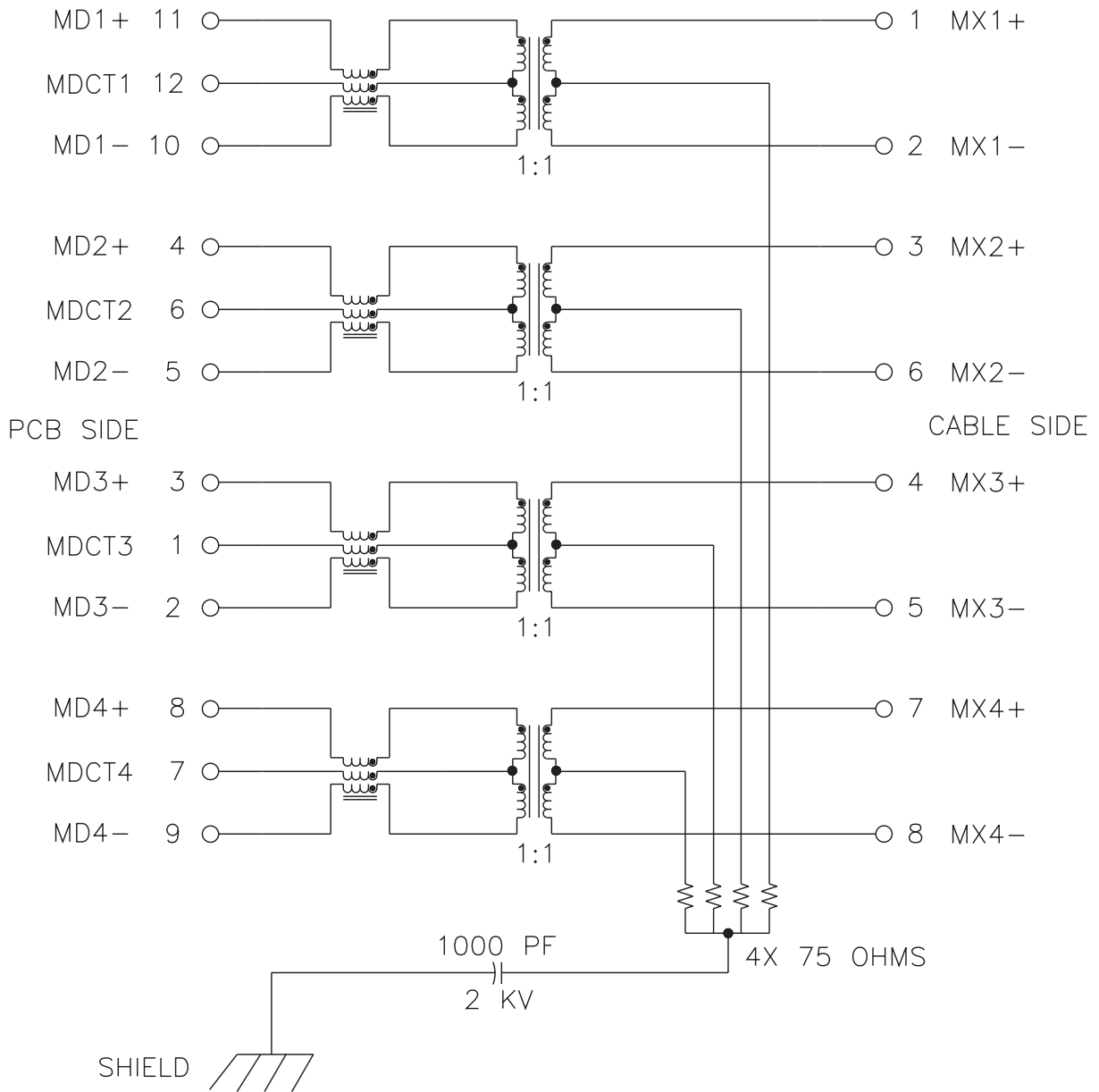
Schematic

JKO-0117NL



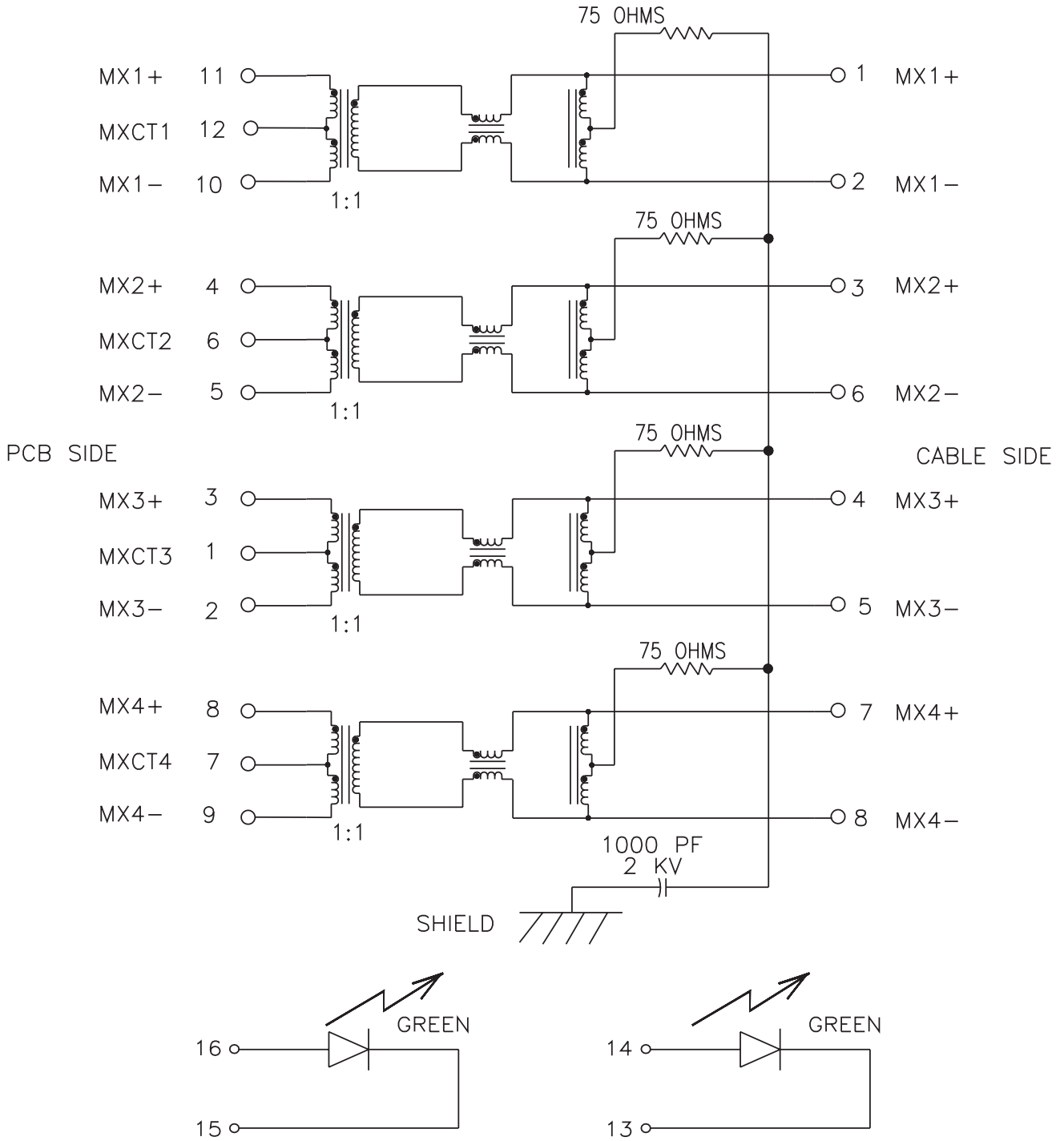
Schematic (continued)

JK0-0136NL



Schematic (continued)

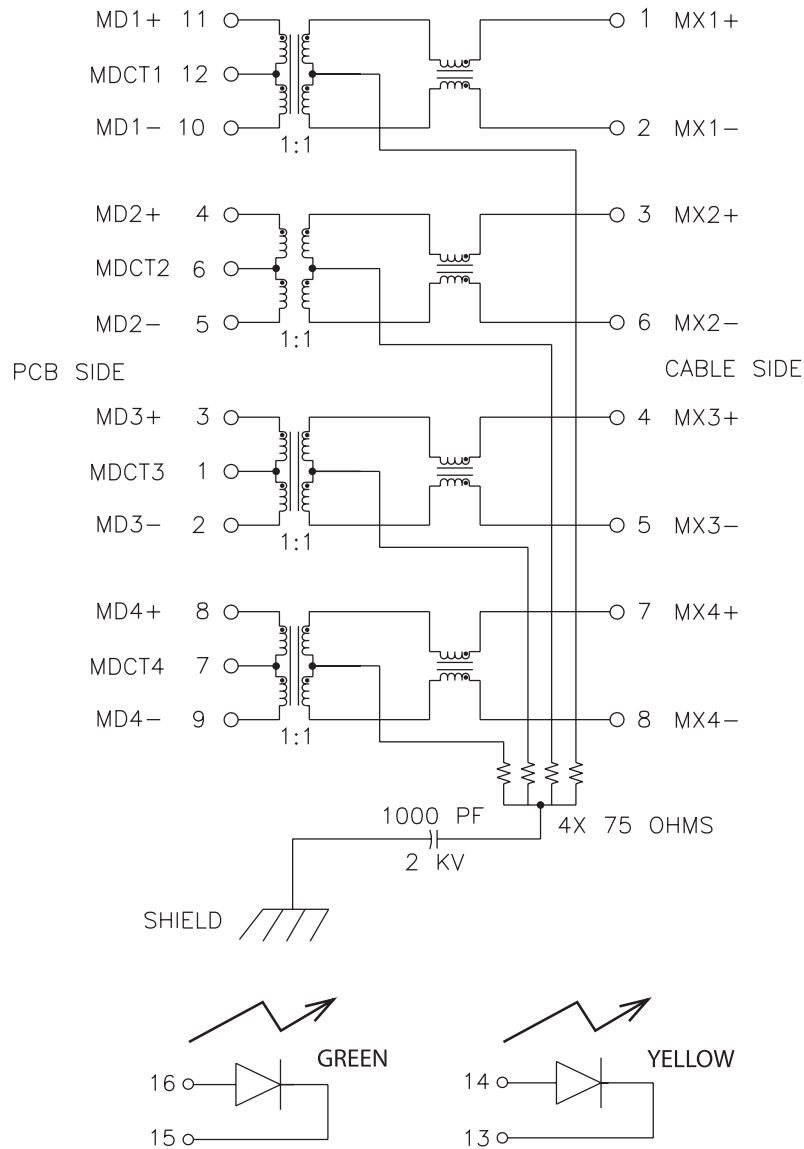
JKO-0187NL



PulseJack™ Gigabit

Schematic (continued)

JKO-0193NL



For More Information

Pulse Worldwide Headquarters
12220 World Trade Drive
San Diego, CA
92128
U.S.A.

Tel: 858 674 8100

Pulse Europe
Einsteinstrasse 1
D-71083 Herrenberg
Germany

Tel: 49 7032 7806

Pulse China Headquarters
B402, Shenzhen Academy of
Aerospace Technol-
ogy Bldg.
10th Kejinan Road
High-Tech Zone
Nanshan District
Shenzen, PR China
518057

Pulse North China
Room 2704/2705
Super Ocean Finance
Ctr.
2067 Yan An Road
West
Shanghai 200336
China

Pulse South Asia
135 Joo Seng Road
#03-02
PM Industrial Bldg.
Singapore 368363

Tel: 65 6287 8998
Fax: 65 6287 8998

Pulse North Asia
3F, No. 198
Zhongyuan Road
Zhongli City
Taoyuan County 320
Taiwan R. O. C.
Tel: 886 3 4356768
Fax: 886 3 4356823
(Pulse)

Performance warranty of products offered on this data sheet is limited to the parameters specified. Data is subject to change without notice. Other brand and product names mentioned herein may be trademarks or registered trademarks of their respective owners. © Copyright, 2014. Pulse Electronics, Inc. All rights reserved.