



Chipsmall Limited consists of a professional team with an average of over 10 year of expertise in the distribution of electronic components. Based in Hongkong, we have already established firm and mutual-benefit business relationships with customers from,Europe,America and south Asia,supplying obsolete and hard-to-find components to meet their specific needs.

With the principle of “Quality Parts,Customers Priority,Honest Operation,and Considerate Service”,our business mainly focus on the distribution of electronic components. Line cards we deal with include Microchip,ALPS,ROHM,Xilinx,Pulse,ON,Everlight and Freescale. Main products comprise IC,Modules,Potentiometer,IC Socket,Relay,Connector.Our parts cover such applications as commercial,industrial, and automotives areas.

We are looking forward to setting up business relationship with you and hope to provide you with the best service and solution. Let us make a better world for our industry!



## Contact us

Tel: +86-755-8981 8866 Fax: +86-755-8427 6832

Email & Skype: info@chipsmall.com Web: www.chipsmall.com

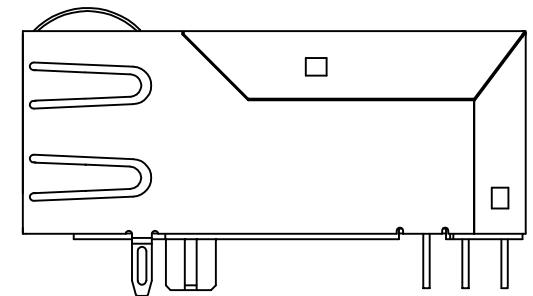
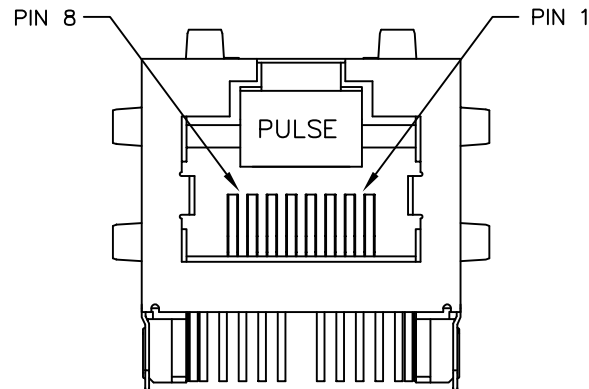
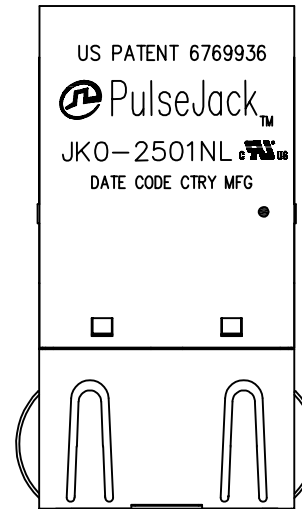
Address: A1208, Overseas Decoration Building, #122 Zhenhua RD., Futian, Shenzhen, China





NOTES:

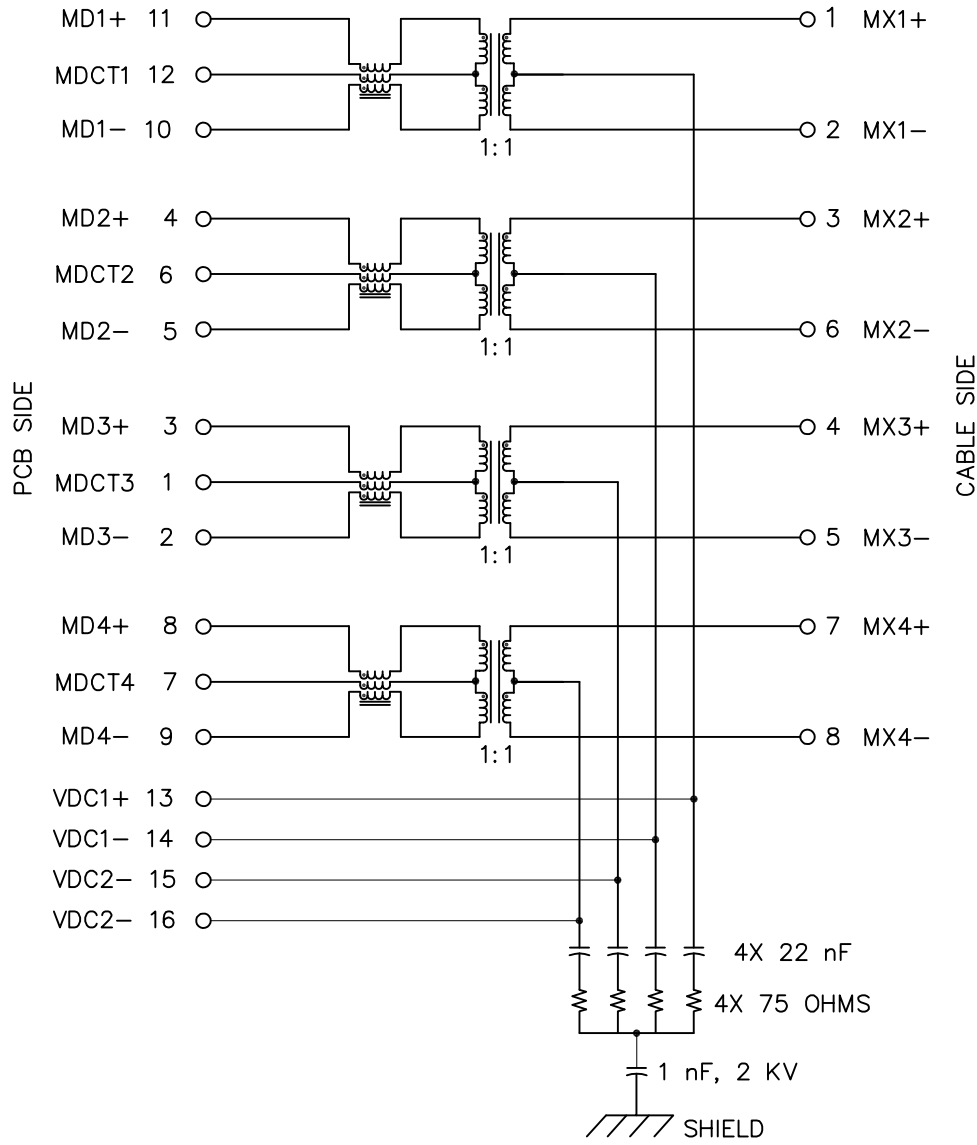
1. ROHS COMPLIANT
2. PLASTIC HOUSING: THERMOPLASTIC MATERIAL WITH FLAMMABILITY RATING UL 94V-0 OR BETTER.
3. CONTACTS PLATING: 30 MICRO-INCH GOLD PLATING.
4. CONTACTS BASE MATERIAL: PHOSPHOR BRONZE
5. UNDER PLATING: 30-50u INCHES NICKEL
6. SOLDER TAIL PLATING : 200-500 uINCHES 100% TIN, MATTE FINISH.
7. METAL SHIELD: NICKEL PLATING ON COPPER ALLOY.
8. JACK CAVITY CONFORMS TO FCC PART 68 SUBPART.
9. PCB PLATING: HASL
10. STORAGE TEMPERATURE: -20°C TO +125°C
11. COMPLIANCE TO J-STD:
  - A. J-STD-002: SOLDERABILITY AT 245°C DIP AND LOOK TEST
  - B. J-STD-020: LEVEL 1, NO MOISTURE SENSITIVE
  - C. J-STD-075: W2, 270°C MAXIMUM THROUGH WAVE SOLDER



FINAL OUTLINE

© Copyright, 2017. Pulse Electronics Corp. All rights reserved. Pulse confidential & proprietary. (10/30/17)

PRODUCT DESCRIPTION	TLA DRAWING	PS DRAWING	SHEET	PART NO.	DATASHEET REV.
CONN,RJ45,1X1,2.5GPP,1:1,TY	JKO-2501NL-10	PS-2390.007-B	1 OF 5	JKO-2501NL	F



SCHEMATIC

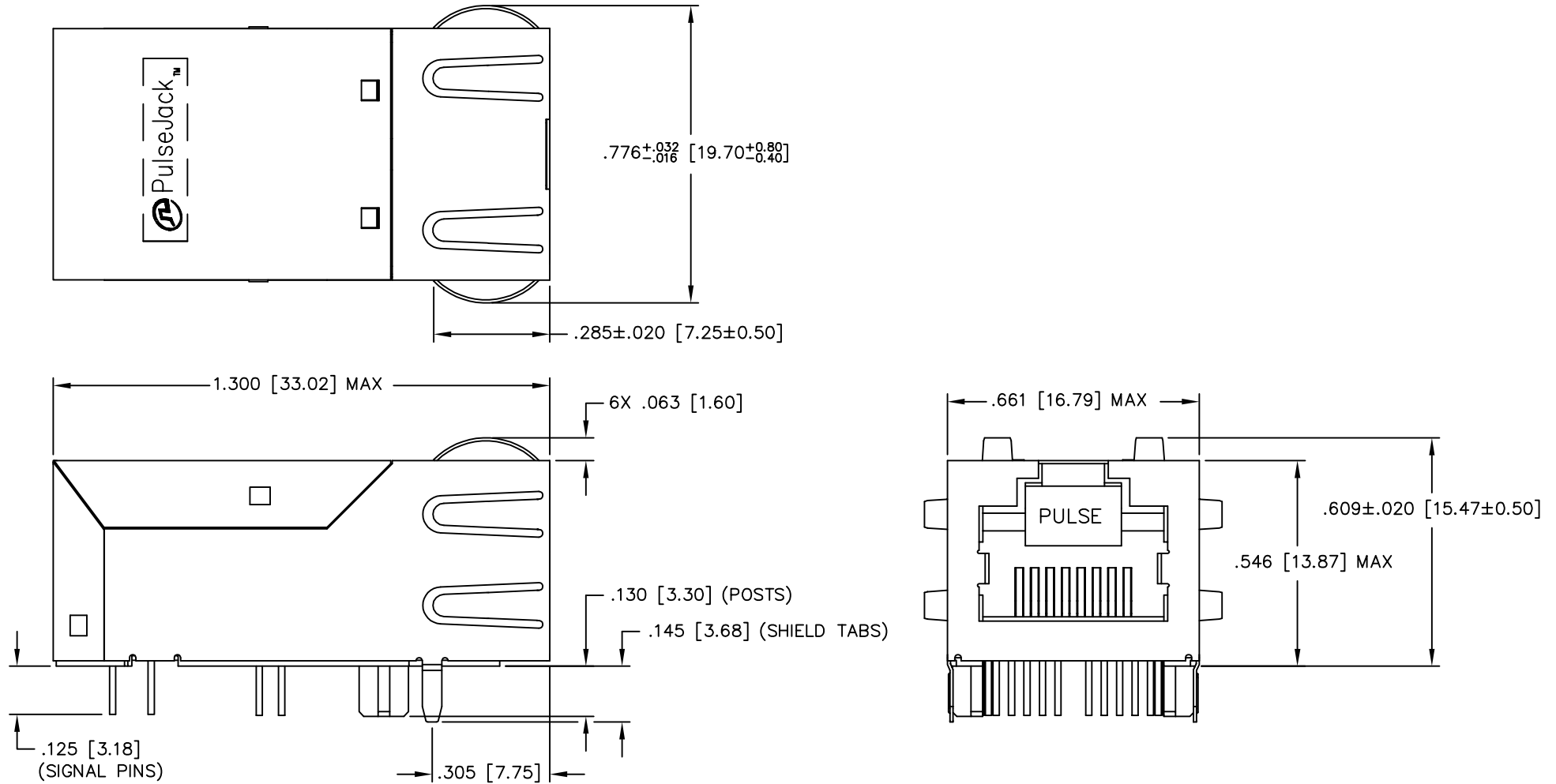
ELECTRICAL CHARACTERISTICS AT +25°C UNLESS OTHER SPECIFIED  
MEETS IEEE 802.3 SPECIFICATION

PARAMETER	SPECIFICATIONS	
OPERATING TEMP	0°C TO +70°C	
TURNS RATIO	1.00 ± 2%	
POLARITY	PER SCHEMATIC	
INSERTION LOSS (SDD21)	100 KHz	1-150 MHz
	-3.0 dB MAX	-1.5 dB MAX (0.8 dB TYP)
PHY-SIDE RETURN LOSS (SDD11-Zref=100 OHMS±1%)	1-40 MHz	40-150 MHz
	-18 dB MIN	-18+15*LOG <sub>10</sub> (f/40 MHz) dB MIN
LINE-SIDE RETURN LOSS (SDD22-Zref=100 OHMS±1%)	1-40 MHz	40-150 MHz
	-18 dB MIN	-18+15*LOG <sub>10</sub> (f/40 MHz) dB MIN
INDUCTANCE (OCL) (MEDIA SIDE, 0°C~70°C)	120 uH MIN WITH 12.5 mA DC BIAS	
CROSSTALK, ADJACENT CHANNELS (SDD21- ADJ.)	1-100 MHz	100-400 MHz
	-35 dB MIN	-30 dB MIN
COMMON MODE REJECTION RATIO (SCC21)	1-30 MHz	100-1000 MHz
	-40 dB MIN	-40+20*LOG <sub>10</sub> (f/30) dB MIN
COMM. TO DIFF. REJECTION RATIO (SDC12)	1-30 MHz	100-1000 MHz
	-45 dB MIN	-45+20*LOG <sub>10</sub> (f/30) dB MIN
DC CURRENT CARRYING CAPABILITY	840 mA MAX AT 70°C	
INPUT - OUTPUT ISOLATION	2250 VDC FOR 60 SECONDS	

NOTE: f IS FREQUENCY IN MHZ.

© Copyright, 2017. Pulse Electronics Corp. All rights reserved. Pulse confidential & proprietary. (10/30/17)

PRODUCT DESCRIPTION	TLA DRAWING	PS DRAWING	SHEET	PART NO.	DATASHEET REV.
CONN,RJ45,1X1,2.5GPP,1:1,TY	JKO-2501NL-10	PS-2390.007-B	2 OF 5	JKO-2501NL	F

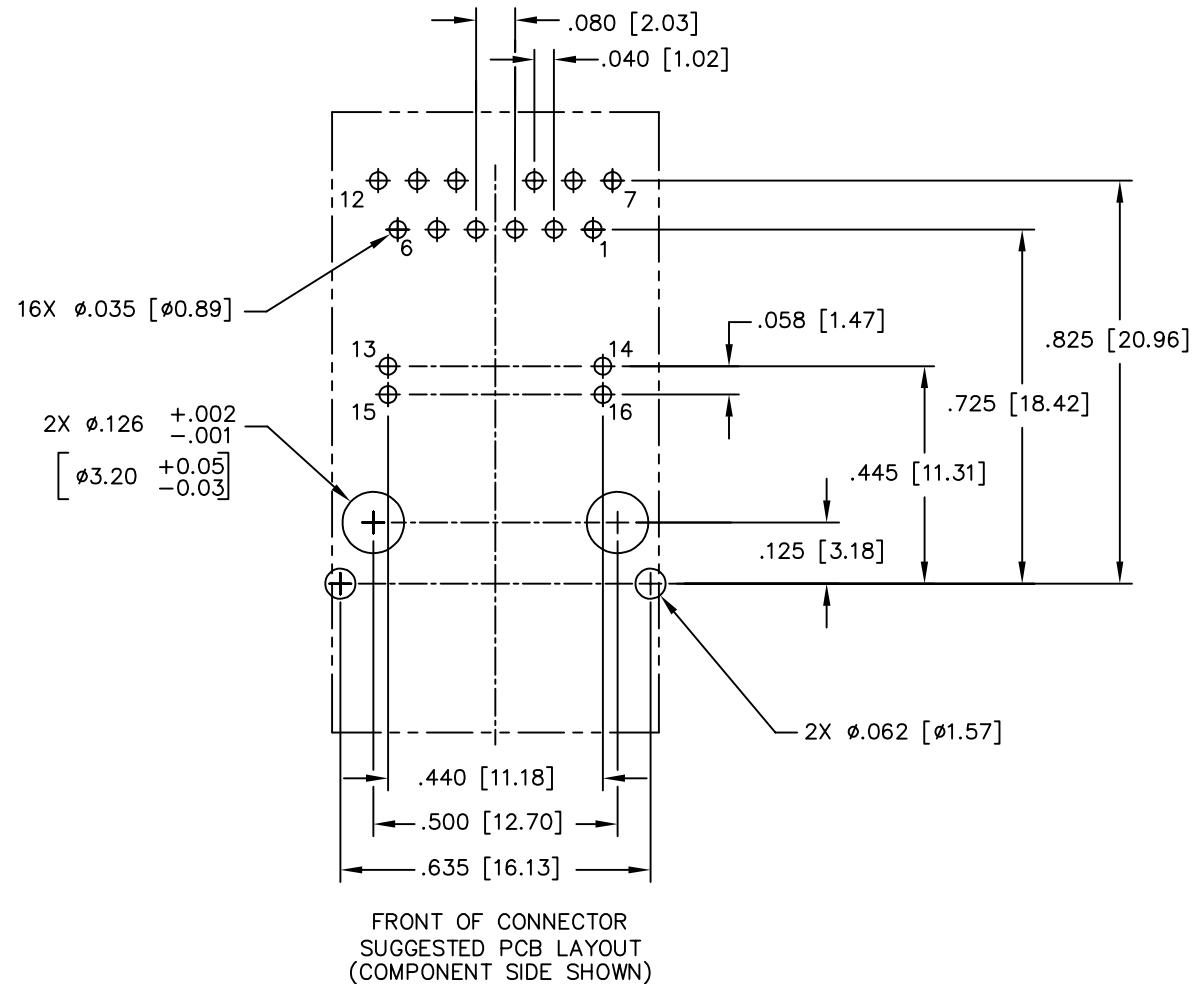


DIMENSIONS ARE IN INCHES [MILLIMETERS] WITH THE FOLLOWING TOLERANCES: [MILLIMETERS] ARE FOR REFERENCE ONLY.

.XXX=  $\pm .010$  [ $\pm 0.25$ ]

© Copyright, 2017. Pulse Electronics Corp. All rights reserved. Pulse confidential & proprietary. (10/30/17)

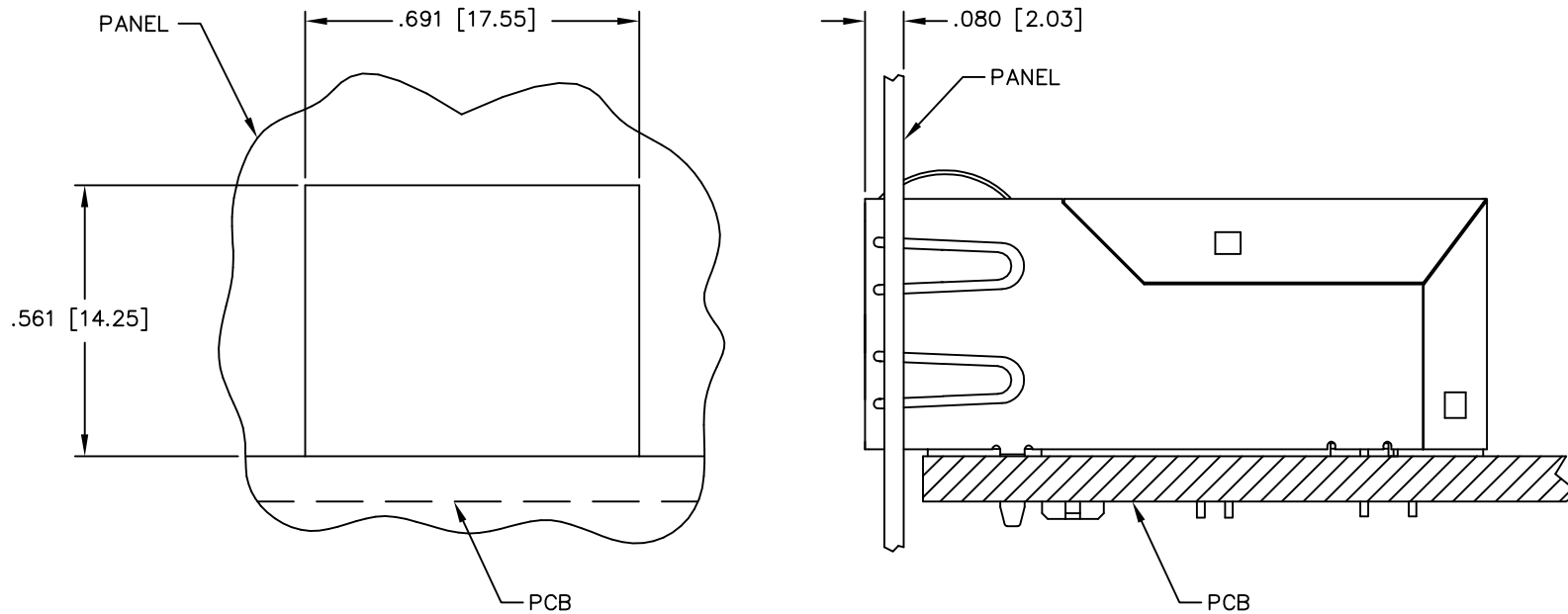
PRODUCT DESCRIPTION	TLA DRAWING	PS DRAWING	SHEET	PART NO.	DATASHEET REV.
CONN,RJ45,1X1,2.5GPP,1:1,TY	JKO-2501NL-10	PS-2390.007-B	3 OF 5	JKO-2501NL	F



DIMENSIONS ARE IN INCHES [MILLIMETERS] WITH THE FOLLOWING TOLERANCES: [MILLIMETERS] ARE FOR REFERENCE ONLY.  
.XXX=  $\pm 0.003$  [ $\pm 0.08$ ]

© Copyright, 2017. Pulse Electronics Corp. All rights reserved. Pulse confidential & proprietary. (10/30/17)

PRODUCT DESCRIPTION	TLA DRAWING	PS DRAWING	SHEET	PART NO.	DATASHEET REV.
CONN,RJ45,1X1,2.5GPP,1:1,TY	JKO-2501NL-10	PS-2390.007-B	4 OF 5	JKO-2501NL	F



SUGGESTED PANEL CUTOUT

DIMENSIONS ARE IN INCHES [MILLIMETERS] WITH THE FOLLOWING TOLERANCES: [MILLIMETERS] ARE FOR REFERENCE ONLY.

.XXX=  $\pm 0.010$  [ $\pm 0.25$ ]

© Copyright, 2017. Pulse Electronics Corp. All rights reserved. Pulse confidential & proprietary. (10/30/17)

PRODUCT DESCRIPTION	TLA DRAWING	PS DRAWING	SHEET	PART NO.	DATASHEET REV.
CONN,RJ45,1X1,2.5GPP,1:1,TY	JKO-2501NL-10	PS-2390.007-B	5 OF 5	JKO-2501NL	F