



Chipsmall Limited consists of a professional team with an average of over 10 year of expertise in the distribution of electronic components. Based in Hongkong, we have already established firm and mutual-benefit business relationships with customers from,Europe,America and south Asia,supplying obsolete and hard-to-find components to meet their specific needs.

With the principle of "Quality Parts,Customers Priority,Honest Operation,and Considerate Service",our business mainly focus on the distribution of electronic components. Line cards we deal with include Microchip,ALPS,ROHM,Xilinx,Pulse,ON,Everlight and Freescale. Main products comprise IC,Modules,Potentiometer,IC Socket,Relay,Connector.Our parts cover such applications as commercial,industrial, and automotives areas.

We are looking forward to setting up business relationship with you and hope to provide you with the best service and solution. Let us make a better world for our industry!



Contact us

Tel: +86-755-8981 8866 Fax: +86-755-8427 6832

Email & Skype: info@chipsmall.com Web: www.chipsmall.com

Address: A1208, Overseas Decoration Building, #122 Zhenhua RD., Futian, Shenzhen, China



REV. F

DIMENSIONS ARE IN INCHES		UNLESS OTHERWISE NOTED	TOLERANCES ARE:
ONE PLACE DECIMALS ± .1 [2.54]	THREE PLACE DECIMALS ± .005 [.13]	ANGLES	± 5°
TWO PLACE DECIMALS ± .01 [.25]	FOUR PLACE DECIMALS ± .0020 [.051]		

TITLE: JUMPER LINK

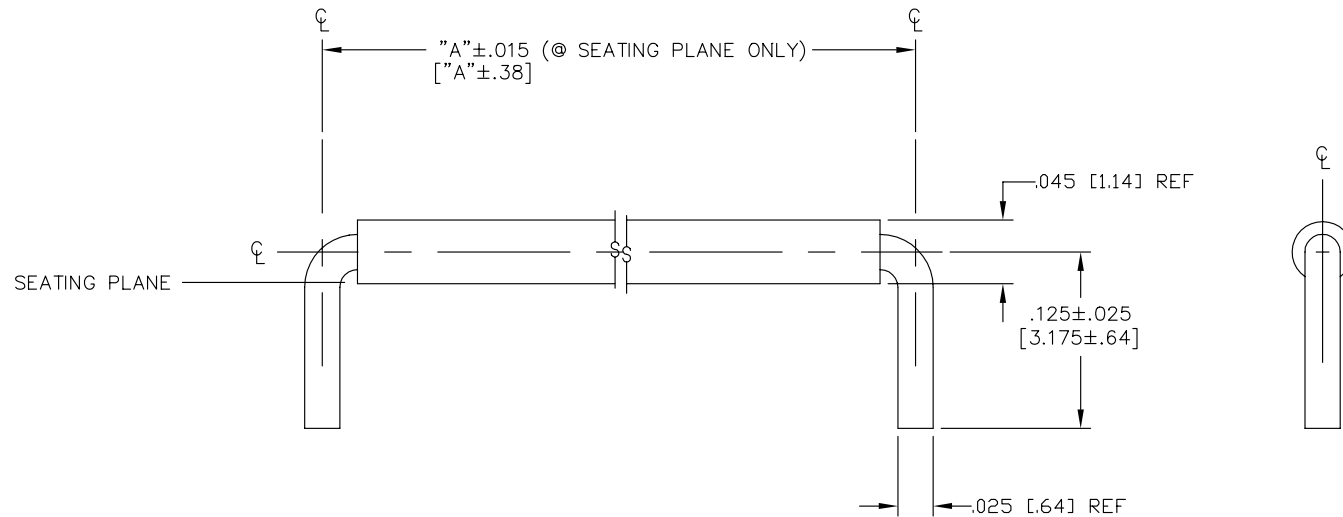
DWG NO: JL-XXX-25-T
SHEET 1 OF 1

NOTES:

1. [] DIMENSIONS ARE IN MILLIMETERS.
2. MADE FROM UL-1213 RATED WIRE, WHICH IS RATED TO 600 VOLTS @ 200° C.

PART NO.	DIM "A"
JL-100-25-T	.100 [2.54]
JL-250-25-T	.250 [6.35]
JL-300-25-T	.300 [7.62]
JL-400-25-T	.400 [10.16]
JL-500-25-T	.500 [12.70]
JL-600-25-T	.600 [15.24]
JL-1000-25-T	1.000 [25.40]

DO NOT SCALE FROM THIS PRINT.



PROPRIETARY NOTE
THIS DOCUMENT CONTAINS INFORMATION CONFIDENTIAL AND PROPRIETARY TO SAMTEC INC. AND SHALL NOT BE REPRODUCED OR TRANSFERRED TO OTHER DOCUMENTS OR DISCLOSED TO OTHERS OR USED FOR ANY PURPOSE OTHER THAN THAT FOR WHICH IT WAS OBTAINED WITHOUT THE EXPRESSED WRITTEN CONSENT OF SAMTEC INC.

MATERIAL:
INSULATOR:
WHITE TEFLON
UL FLAME TESTED: VW-1
WIRE:
22 GAUGE COPPER
PLATING:
AG PER MIL-QQW-343

samtec

EXISPROD\COMPNT\MISC.
JLXXX25T

520 PARK EAST BLVD. NEW ALBANY, INDIANA 47150
PHONE (812) 944-6733 P.O. BOX 1147
CODE 55322

MADE BY:
TY 1-15-82

JL-XXX-25-T
SHEET 1 OF 1