



Chipsmall Limited consists of a professional team with an average of over 10 year of expertise in the distribution of electronic components. Based in Hongkong, we have already established firm and mutual-benefit business relationships with customers from,Europe,America and south Asia,supplying obsolete and hard-to-find components to meet their specific needs.

With the principle of “Quality Parts,Customers Priority,Honest Operation,and Considerate Service”,our business mainly focus on the distribution of electronic components. Line cards we deal with include Microchip,ALPS,ROHM,Xilinx,Pulse,ON,Everlight and Freescale. Main products comprise IC,Modules,Potentiometer,IC Socket,Relay,Connector.Our parts cover such applications as commercial,industrial, and automotives areas.

We are looking forward to setting up business relationship with you and hope to provide you with the best service and solution. Let us make a better world for our industry!



## Contact us

Tel: +86-755-8981 8866 Fax: +86-755-8427 6832

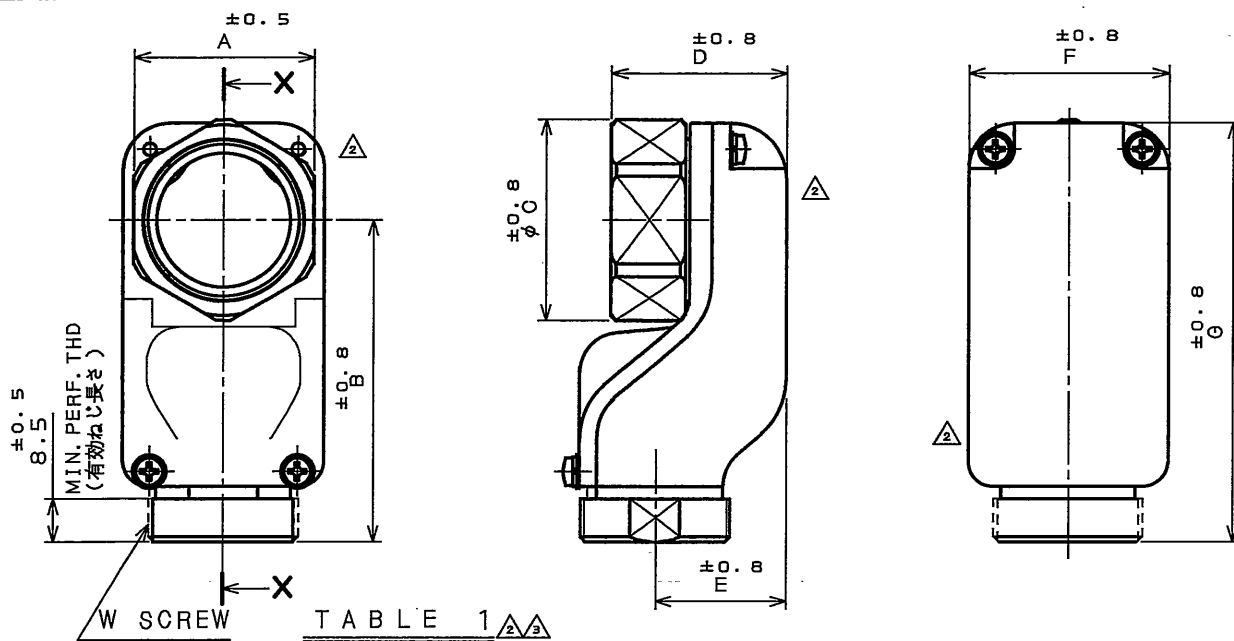
Email & Skype: info@chipsmall.com Web: www.chipsmall.com

Address: A1208, Overseas Decoration Building, #122 Zhenhua RD., Futian, Shenzhen, China



861101RS  
(ON DRAWING)台要図

版数 REV.	年月日 DATE	DCN NO.	変更内容 DESCRIPTION	製図 DR.	担当 CHK.	査閲 APPD.	承認 APPD.
2	3.Mar.2006	059150	REVISED FORM etc.	—	T.SUZUKI	T.OKAMURA	A.ONOGAWA
3	25.Apr.2006	059934	REVISED DIMENSION	—	T.SUZUKI	T.OKAMURA	A. Onogawa



DESIGNATION  
命名法

JL04-※※EBA

SERIES  
シリーズ名

SHELL SIZE  
シェルサイズ

LOW PROFILE TYPE ENDBELL  
低背エンドベル

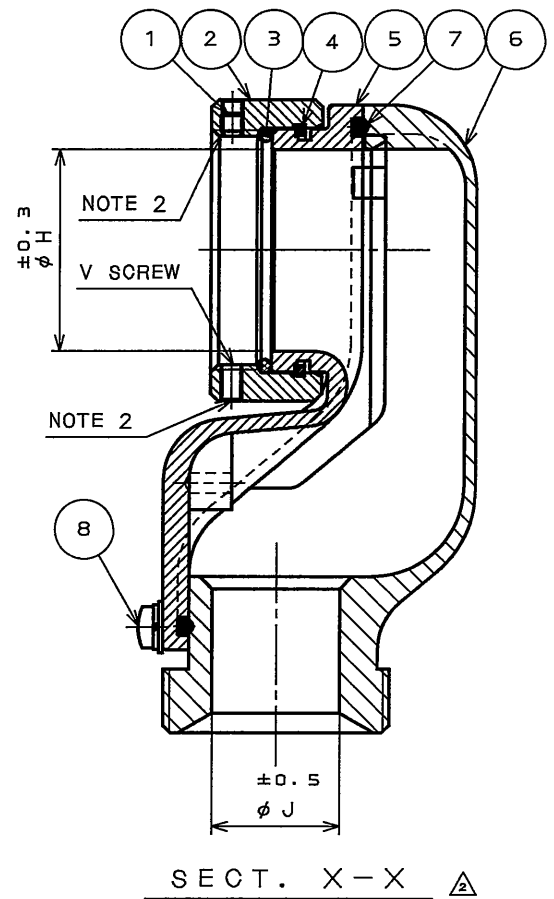
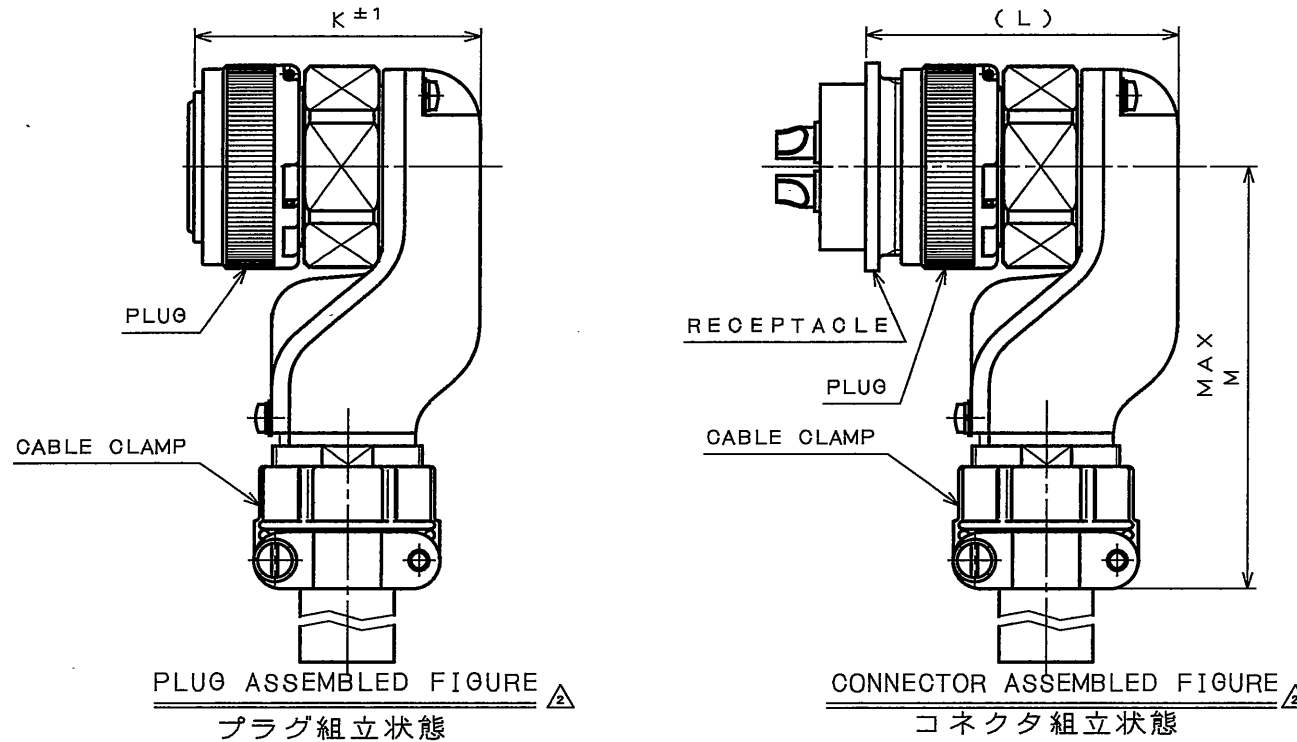


TABLE 1

DIMENSION SHELL SIZE	A±0.5	B±0.8	φC±0.8	D±0.8	E±0.8	F±0.8	G±0.8	φH±0.3	φJ±0.5	φK±1	(L)	M MAX	V SCREW	W SCREW
18	30	62	34	27.6	19.3	34	78.3	20.2	15	50.0	54.1	8 2	1-20UNEF-2B	1-20UNEF-2A
20	33	64	37	31.5	23.9	37	82.0	24.2	17	55.0	59.1	8 4	1 1/8-18UNEF-2B	1 3/16-18UNEF-2A
22	36	64	40	35.1	26.3	40	83.3	26.7	17	56.7	62.3	8 4	1 1/4-18UNEF-2B	1 3/16-18UNEF-2A
24	40	71	43	40.0	30.3	43	92.0	29.9	20	65.0	70.7	9 3	1 3/8-18UNEF-2B	1 7/16-18UNEF-2A
28	46	71	49	40.0	30.9	49	95.2	35.9	20	65.0	70.7	9 3	1 5/8-18UNEF-2B	1 7/16-18UNEF-2A

特別管理品目  
SPECIAL CONTROL ITEM  
TUV



符号 NO.	名称 DESCRIPTION	個数 QTY.	材料 MATERIAL	仕上 FINISH	備考 REMARKS
8	SEMUSU-SCREW	4	STEEL	ZINC PLATING	COLOR:BLACK SYSTEM INTERFERENCE COLOR
7	GASKET	1	SYNTHETIC RUBBER	—	—
6	ENDBELL 1	1	ALUMINUM ALLOY	ZINC PLATING	COLOR:BLACK SYSTEM INTERFERENCE COLOR
5	ENDBELL 2	1	ALUMINUM ALLOY	ZINC PLATING	COLOR:BLACK SYSTEM INTERFERENCE COLOR
4	RETAINING RING	1	COPPER ALLOY	ZINC PLATING	COLOR:BLACK SYSTEM INTERFERENCE COLOR
3	"O" RING	1	SYNTHETIC RUBBER	—	—
2	ASSEMBLYNUT	1	ALUMINUM ALLOY	ZINC PLATING	COLOR:BLACK SYSTEM INTERFERENCE COLOR
1	SET SCREW	1	STEEL	ZINC PLATING	COLOR:BLACK SYSTEM INTERFERENCE COLOR

仕様書(SPECIFICATION) J AHL-50009	第1版(ORIGINAL DATE) 30.Nov.2004	尺度(SCALE)	シリーズ(SERIES) JL04V	日本航空電子工業株式会社 JAPAN AVIATION ELECTRONICS INDUSTRY, LTD.
製造 DR.	担当 CHK.	名称(TITLE) JL04-※※EBA		
公差(GENERAL TOLERANCE) 寸法(DIMENSION) 角度(ANGLES)	製図 DR.	LOW PROFILE TYPE ENDBELL 低背エンドベル		
製図 DR.	担当 CHK.	質量(MASS)		
寸法(DIMENSION)	角度(ANGLES)	製図 DR.	担当 CHK.	図面番号(DRAWING NO.) SJ101198
公差(GENERAL TOLERANCE)	寸法(DIMENSION)	製図 DR.	担当 CHK.	版数 (REV.) 3

NOTE1.DIMENSIONS OF THIS PRODUCT SHALL BE SHOWN IN TABLE 1.

2.THERE SHALL BE TWO THREADED HOLES FOR THE SETSCREW.AFTER FASTENING THE ASSEMBLYNUT, INSET THE SETSCREW INTO THE HOLE WHICH EVER IS EASIER TO BE ASSEMBLED,AND FIX IT.

注1.本製品の寸法は表1による。

2.止めねじ用に2ヶ所のねじ穴があります。アッセンブリナット締付後、止めねじを組込み易い穴に挿入し、固定下さい。

DOF-0-212F(05.08)

