



Chipsmall Limited consists of a professional team with an average of over 10 year of expertise in the distribution of electronic components. Based in Hongkong, we have already established firm and mutual-benefit business relationships with customers from,Europe,America and south Asia,supplying obsolete and hard-to-find components to meet their specific needs.

With the principle of “Quality Parts,Customers Priority,Honest Operation,and Considerate Service”,our business mainly focus on the distribution of electronic components. Line cards we deal with include Microchip,ALPS,ROHM,Xilinx,Pulse,ON,Everlight and Freescale. Main products comprise IC,Modules,Potentiometer,IC Socket,Relay,Connector.Our parts cover such applications as commercial,industrial, and automotives areas.

We are looking forward to setting up business relationship with you and hope to provide you with the best service and solution. Let us make a better world for our industry!



Contact us

Tel: +86-755-8981 8866 Fax: +86-755-8427 6832

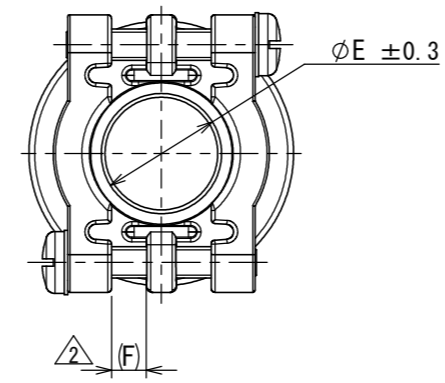
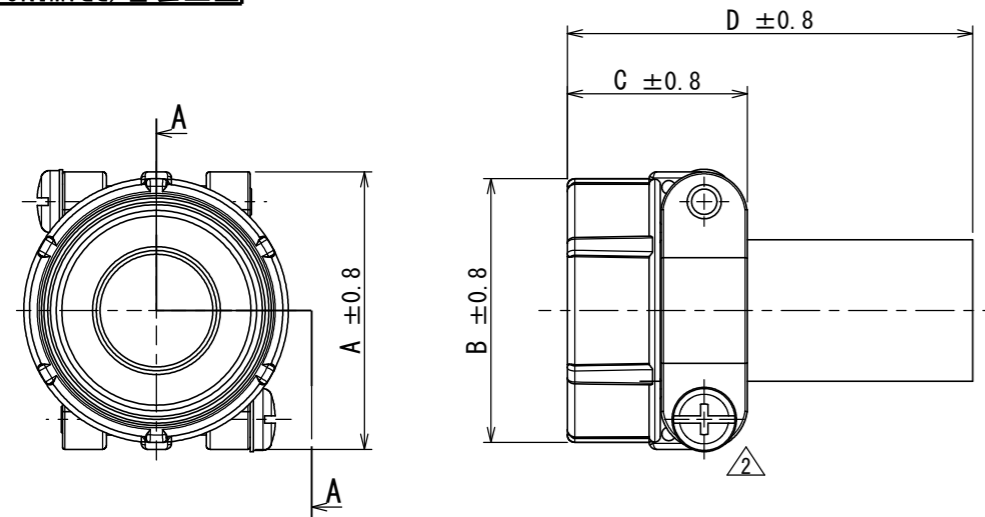
Email & Skype: info@chipsmall.com Web: www.chipsmall.com

Address: A1208, Overseas Decoration Building, #122 Zhenhua RD., Futian, Shenzhen, China



863501FS
(ON DRAWING)台異図

版数 VER.	年月日 DATE	CN NO.	変更内容 DESCRIPTION	製図 DR.	担当 CHK.	査閲 APPD.	承認 APPD.
2	22/JAN/2016	016004	CHANGE A COLOR OF WASHER etc	—	T. NAKAMURA	T. SUZUKI	H. EBIHARA



DESIGNATION
命名法

JL04-**-CK(※)-R

SERIES シリーズ名
SHELL SIZE シェルサイズ
適合シェルサイズ
1012:10S, 10SL,
12, 12S SIZE
18 :18 SIZE
2022:20, 22 SIZE
2428:24, 28 SIZE

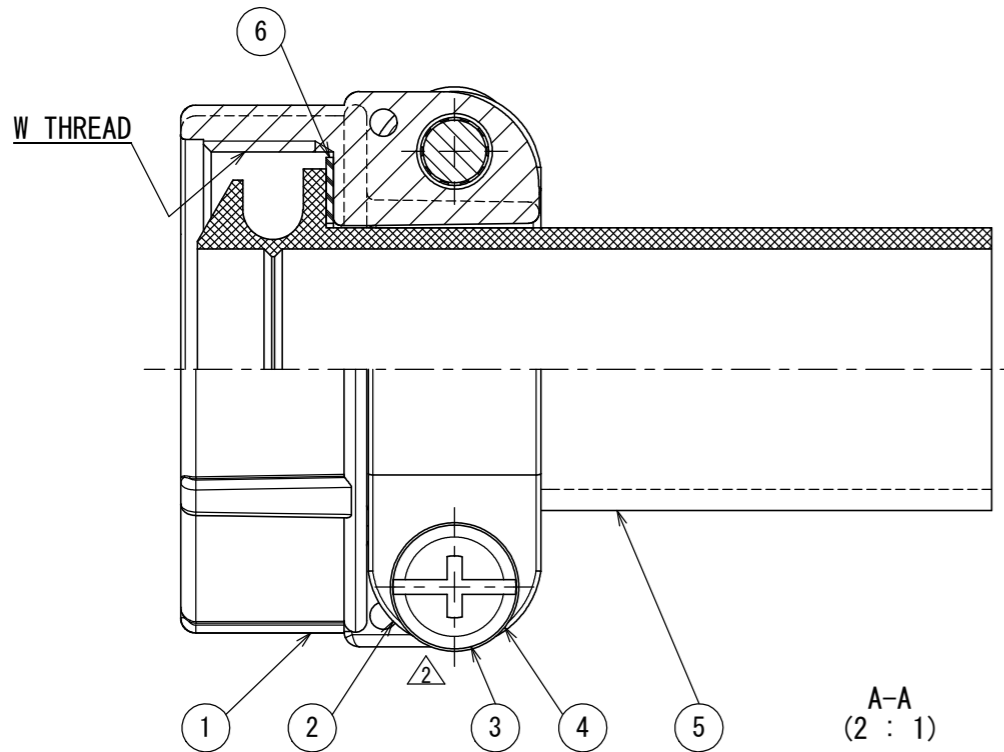
SUFFIX 特殊記号
APPLICABLE CABLE DIAMETER (SEE TABLE)
適合ケーブル径
CABLE CLAMP ケーブルクランプ

特別管理品目
SPECIAL CONTROL ITEM
TÜV

TABLE: DIMENSIONS

No.	ITEM	DIMENSIONS						W THREAD	APPLICABLE CABLE DIAMETER
		A±0.8	B±0.8	C±0.8	D±0.8	φE±0.3	(F)△2		
1	JL04-1012CK (05) -R	22.2	20.6	20.7	50.6	6	1.6	5/8-24UNEF-2B	φ4~φ6
2	JL04-1012CK (06) -R	22.2	20.6	20.7	50.6	6.6	1.6	5/8-24UNEF-2B	φ4.6~φ6.6
3	JL04-18CK (07) -R	31.8	30.2	24.1	53.8	8	3.2	1-20UNEF-2B	φ5~φ8
4	JL04-18CK (10) -R	31.8	30.2	24.1	53.8	11	3.2	1-20UNEF-2B	φ8~φ11
5	JL04-18CK (13) -R	31.8	30.2	24.1	53.8	14.1	3.2	1-20UNEF-2B	φ11~φ14.1
6	JL04-2022CK (09) -R	37.3	34.9	24.3	53.8	9.5	4	1 3/16-18UNEF-2B	φ6.5~φ9.5
7	JL04-2022CK (12) -R	37.3	34.9	24.3	53.8	13	4	1 3/16-18UNEF-2B	φ9.5~φ13
8	JL04-2022CK (14) -R	37.3	34.9	24.3	53.8	16	4	1 3/16-18UNEF-2B	φ12.9~φ16
9	JL04-2428CK (11) -R	42.9	42.1	26.2	56.2	12	4.8	1 7/16-18UNEF-2B	φ9~φ12
10	JL04-2428CK (14) -R	42.9	42.1	26.2	56.2	15	4.8	1 7/16-18UNEF-2B	φ12~φ15
11	JL04-2428CK (17) -R	42.9	42.1	26.2	56.2	18	4.8	1 7/16-18UNEF-2B	φ15~φ18
12	JL04-2428CK (20) -R	42.9	42.1	26.2	56.2	21	4.8	1 7/16-18UNEF-2B	φ18~φ20

符号 NO.	名称 DESCRIPTION	個数 QTY.	材料 MATERIAL	仕上 FINISH	備考 REMARKS
6	WASHER	1	SYNTHETIC RESIN	—	COLOR:BLACK OR NATURAL△2
5	BUSHING	1	NBR	—	COLOR:BLACK
4	WASHER	2	STEEL	ZINC PLATING	COLOR:BLACK SYSTEM INTERFERENCE COLOR
3	SCREW	2	COPPER ALLOY	ZINC PLATING	COLOR:BLACK SYSTEM INTERFERENCE COLOR
2	CLAMP SADDLE	2	ALUMINUM ALLOY	ZINC PLATING	COLOR:BLACK SYSTEM INTERFERENCE COLOR
1	GLAND NUT	1	ALUMINUM ALLOY	ZINC PLATING	COLOR:BLACK SYSTEM INTERFERENCE COLOR



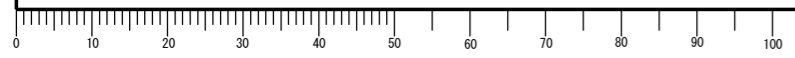
NOTE 1. THIS MATERIAL IS WATERPROOF CABLE CLAMP FOR CABTYRE CABLE.
2. USE THIS MATERIAL ASSEMBLED WITH WATERPROOF TYPE ENDBELL.
3. SEE ITEM DWG. OF WATERPROOF TYPE ENDBELL SHOWN RIGHT.

注1. 本部品は『防水型キャブタイヤ用ケーブルクランプ』です。
2. 本部品は『防水型エンドベル』に取り付けて使用下さい。
3. 『防水型エンドベル』右記の製品図番を参照下さい。

ENDBELL STYLE	ITEM DWG.
STRAIGHT	SJ105392
ANGLE (90°)	SJ105393

仕様書 (SPECIFICATION)	第1版 (ORIGINAL DATE) 20/DEC/2005	尺度 (SCALE)	シリーズ (SERIES) JL04	日本航空電子工業株式会社
製図 DR. H. SAKURADA	担当 CHK. M. NITTA	名称 (TITLE) JL04-**-CK(※)-R	質量 (MASS)	JAPAN AVIATION ELECTRONICS INDUSTRY, LTD.
一般公差 (GENERAL TOLERANCE)	査閲 APPD. T. OKAMURA	承認 APPD. A. ONOGAWA	図面番号 (DRAWING NO.) SJ105398	版数 (VER.) 2
寸法 (DIMENSION)	角度 (ANGLES)	単位 (UNIT) : mm	S/W	

DCF-G-212H(12.08)



WISDOM承認 2016/01/22

SIZE A3