



Chipsmall Limited consists of a professional team with an average of over 10 year of expertise in the distribution of electronic components. Based in Hongkong, we have already established firm and mutual-benefit business relationships with customers from,Europe,America and south Asia,supplying obsolete and hard-to-find components to meet their specific needs.

With the principle of “Quality Parts,Customers Priority,Honest Operation,and Considerate Service”,our business mainly focus on the distribution of electronic components. Line cards we deal with include Microchip,ALPS,ROHM,Xilinx,Pulse,ON,Everlight and Freescale. Main products comprise IC,Modules,Potentiometer,IC Socket,Relay,Connector.Our parts cover such applications as commercial,industrial, and automotives areas.

We are looking forward to setting up business relationship with you and hope to provide you with the best service and solution. Let us make a better world for our industry!



Contact us

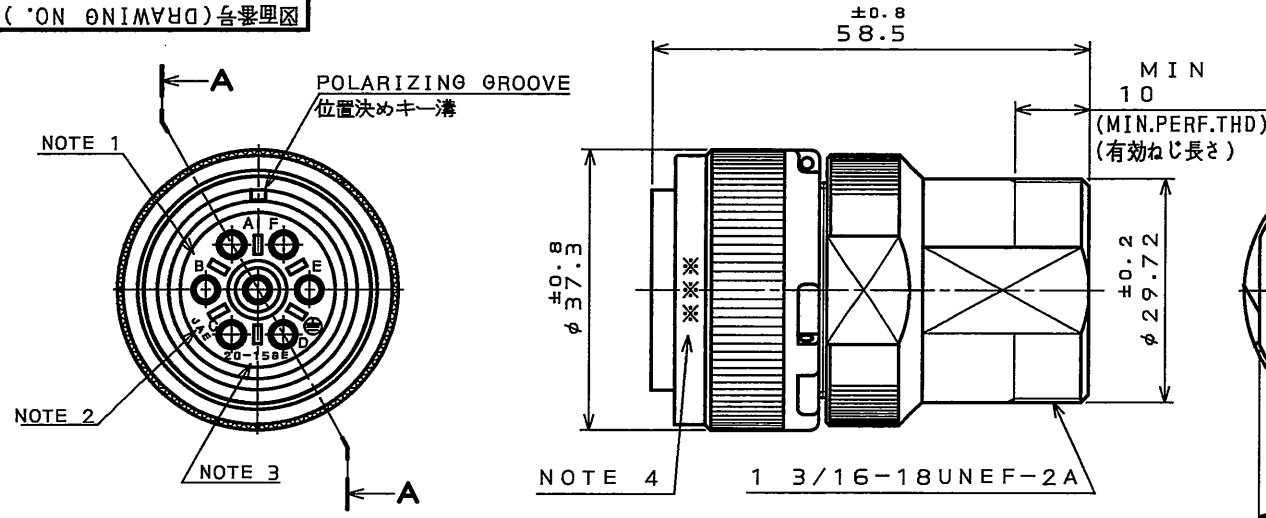
Tel: +86-755-8981 8866 Fax: +86-755-8427 6832

Email & Skype: info@chipsmall.com Web: www.chipsmall.com

Address: A1208, Overseas Decoration Building, #122 Zhenhua RD., Futian, Shenzhen, China



SJ105403
(DRAWING NO.)



版数 REV.	年月日 DATE	DCN NO.	変更内容 DESCRIPTION	製図 DR.	担当 CHK.	査閲 APPD.	承認 APPD.

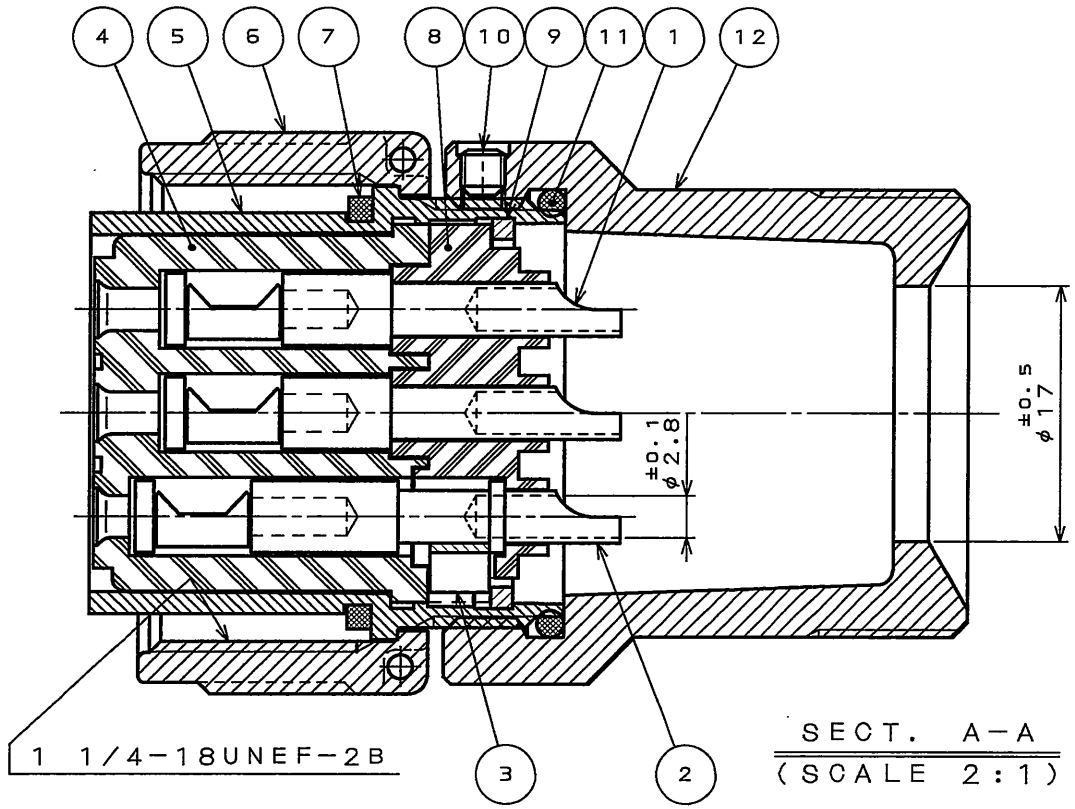
DESIGNATION
命名法
JL04V-6A20-15SE-EB-R

SERIES シリーズ名	PLUG (STRAIGHT) プラグ(ストレート)	GLASS 嵌合時嵌合部防水構造	SHELL SIZE シェルサイズ	CONTACT ARRANGEMENT インサート名	SUFFIX 特殊記号	WITH END BELL エンドベル付	WITH PROTECTIVE EARTH CONTACT 保護回路接続記号有	SOCKET CONTACT ソケットコンタクト
--------------	----------------------------	------------------	-------------------	----------------------------	-------------	----------------------	---	--------------------------

特別管理品目
SPECIAL CONTROL ITEM
TUV

- NOTE 1. CONTACT POSITION NUMBER IS MARKED IN THE AREA SHOWN. EARTH MARK (⊕) IS MARKED NEAR BY CONTACT No. "D, E".
2. COMPANY LOGO "JAE" APPEARS IN THE AREA SHOWN.
3. CONTACT ARRANGEMENT NUMBER "20-15SE" IS MARKED IN THE AREA SHOWN.
4. PRODUCTION LOT NUMBER ARE MARKED AS INDICATED.
- *** MANUFACTURER MONTH (1~9, X, Y, Z) (JAN.~SEP., OCT., NOV., DEC.)
- *** MANUFACTURER YEAR ('05, '06, '07, ...)

- 注1. 図示の位置に端子番号を表示する。又、保護回路接続(D, E端子)は ⊕ で表す。
2. 図示の位置に社名【JAE】を表示する。
3. 図示の位置にインサート名【20-15SE】を表示する。
4. 図示の位置に製造ロットNo.を表示する。
- *** 製造月(1~9月, X:10月, Y:11月, Z:12月)
- *** 製造年('05, '06, '07, ...)



SPECIFICATION

NUMBER OF CONTACT : 7x#12
RATED VOLTAGE : 500VAC POLLUTION DEGREE:2
OVER VOLTAGE CATEGORY: II
: 250VAC POLLUTION DEGREE:3
OVER VOLTAGE CATEGORY: III
RATED CURRENT : 23A MAX. / ONE CONTACT
DIELECTRIC WITHSTANDING VOLTAGE : 2000VAC(1 MINUTE)
INSULATION RESISTANCE : 5000M Ω MIN. (AT 500VDC)
APPLICABLE WIRE : 3.5mm² MAX.

仕様

コンタクト: #12コンタクト 7本
定格電圧 : 500VAC(汚染度:2/過電圧範疇:II)
: 250VAC(汚染度:3/過電圧範疇:III)
定格電流 : 23A以下/1芯
耐電圧 : 2000VAC(1分間)
絶縁抵抗 : 5000M Ω 以上(500VDCにて)
適用電線 : 3.5mm²以下

12	STRAIGHT END BELL	1	ALUMINUM ALLOY	ZINC PLATING	COLOR:BLACK SYSTEM INTERFERENCE COLOR
11	"O" RING	1	SYNTHETIC RUBBER	NONE	COLOR:BLACK
10	SET SCREW	1	STEEL	ZINC PLATING	COLOR:BLACK SYSTEM INTERFERENCE COLOR
9	RETAINING RING	1	COPPER ALLOY	ZINC PLATING	COLOR:BLACK SYSTEM INTERFERENCE COLOR
8	REAR INSULATOR	1	SYNTHETIC RESIN	NONE	COLOR:BLACK
7	GASKET	1	SYNTHETIC RUBBER	NONE	COLOR:BLACK
6	COUPLING NUT	1	ALUMINUM ALLOY	ZINC PLATING	COLOR:BLACK SYSTEM INTERFERENCE COLOR
5	BARREL	1	ALUMINUM ALLOY	ZINC PLATING	COLOR:BLACK SYSTEM INTERFERENCE COLOR
4	FRONT INSULATOR	1	SYNTHETIC RESIN	NONE	COLOR:BLACK
3	EARTH LUG	1	COPPER ALLOY	SILVER PLATING	
2	CONTACT(EARTH)	1	COPPER ALLOY	SILVER PLATING	CONTACT NO. :D
1	CONTACT(LINE)	6	COPPER ALLOY	SILVER PLATING	CONTACT NO.:A,B,C,E,F,G

符号 NO.	名称 DESCRIPTION	個数 QTY.	材料 MATERIAL	仕上 FINISH	備考 REMARKS
仕様書(SPECIFICATION) JACS-5080.T95-4		第1版(ORIGINAL DATE) 21.Dec.2005		尺度(SCALE) 1:1	シリーズ(SERIES) JL04V
一般差(GENERAL TOLERANCE)		製図 DR. T.SUZUKI		名称(TITLE) JL04V-6A20-15SE-EB-R	
寸法(DIMENSION) 角度(ANGLES)		担当 CHK. T.SUZUKI		製図 APPD. TOKAMURA	
. ±0.8 X° ±		査閲 APPD. A. Onogawa		承認 APPD. A. Onogawa	
.X ±0.4 X°X' ±		承認 APPD. A. Onogawa		質量(MASS)	
.XX ±0.1				図面番号(DRAWING NO.) SJ105403	
.XXX ±				版数(REV.) 1	