



Chipsmall Limited consists of a professional team with an average of over 10 year of expertise in the distribution of electronic components. Based in Hongkong, we have already established firm and mutual-benefit business relationships with customers from,Europe,America and south Asia,supplying obsolete and hard-to-find components to meet their specific needs.

With the principle of “Quality Parts,Customers Priority,Honest Operation,and Considerate Service”,our business mainly focus on the distribution of electronic components. Line cards we deal with include Microchip,ALPS,ROHM,Xilinx,Pulse,ON,Everlight and Freescale. Main products comprise IC,Modules,Potentiometer,IC Socket,Relay,Connector.Our parts cover such applications as commercial,industrial, and automotives areas.

We are looking forward to setting up business relationship with you and hope to provide you with the best service and solution. Let us make a better world for our industry!



Contact us

Tel: +86-755-8981 8866 Fax: +86-755-8427 6832

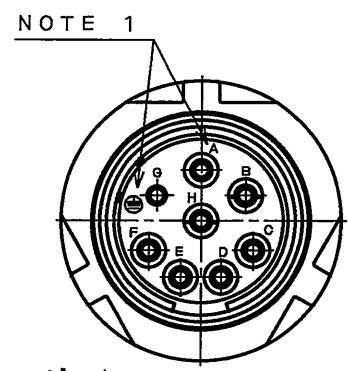
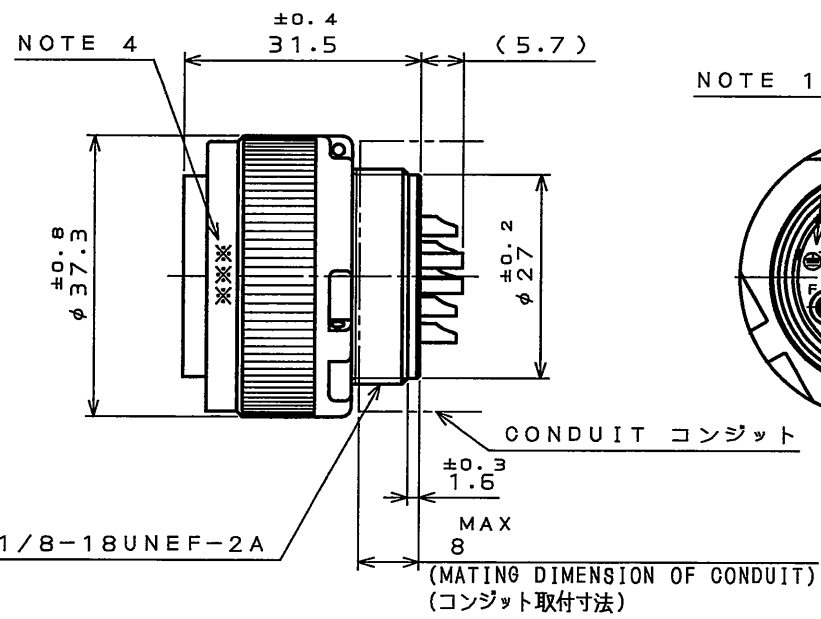
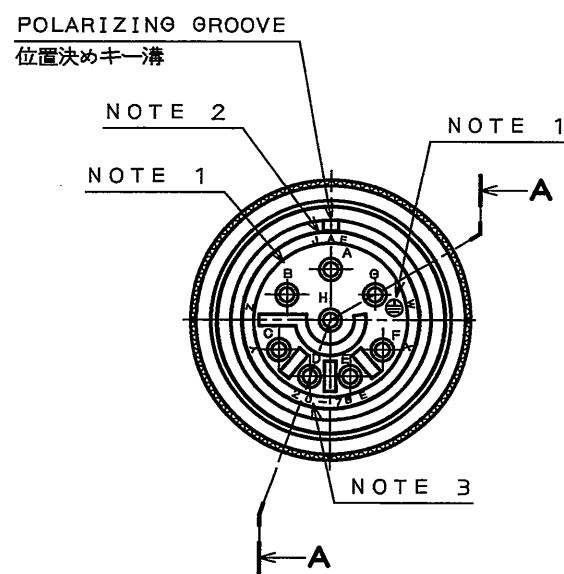
Email & Skype: info@chipsmall.com Web: www.chipsmall.com

Address: A1208, Overseas Decoration Building, #122 Zhenhua RD., Futian, Shenzhen, China

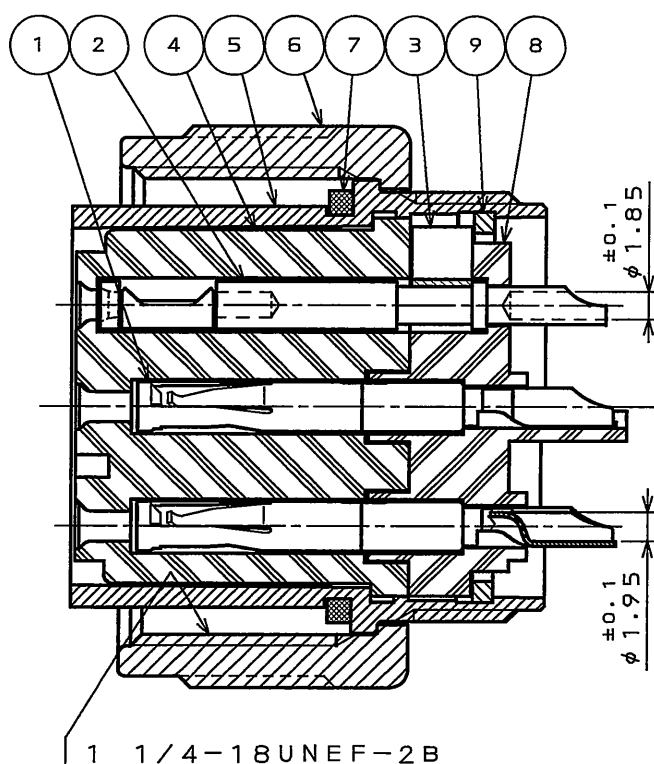
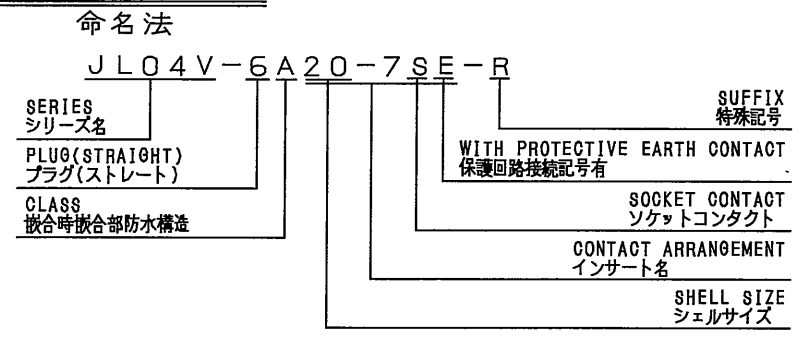


0945460
SJ105460
(ON DRAWING)台要図

版数 REV.	年月日 DATE	DCN NO.	変更内容 DESCRIPTION	製図 DR.	担当 CHK.	査閲 APPD.	承認 APPD.



DESIGNATION



特別管理品目
TUV

- NOTE 1. CONTACT POSITION NUMBER IS MARKED IN THE AREA SHOWN.
EARTH MARK (⊕) IS MARKED NEAR BY CONTACT No. "G".
2. COMPANY LOGO "JAE" APPEARS IN THE AREA SHOWN.
3. CONTACT ARRANGEMENT IS MARKED IN THE AREA SHOWN.
4. PRODUCTION LOT NUMBER ARE MARKED AS INDICATED.
- *** MANUFACTURER MONTH (1~9, X, Y, Z)
(JAN.~SEP., OCT., NOV., DEC.)
MANUFACTURER YEAR ('05, '06, '07, ...)

- 注1. 図示の位置に端子番号を表示する。
又、保護回路接続(⊕端子)は⊕で表わす。
2. 図示の位置に社名を表示する。【JAE】
3. 図示の位置にインサート名【20-7SE】を表示する。
4. 図示の位置に製造ロットNo.を表示する。
- ***
製造月(1~9月, X:10月, Y:11月, Z:12月)
製造年('05, '06, '07, ...)

SPECIFICATION

NUMBER OF CONTACT : 8X#16
RATED VOLTAGE: CONTACT No. A, B, H 400VAC
CONTACT No. C, D, E, F 100VAC
CONTACT No. G EARTH
(POLLUTION DEGREE: 2 / OVER VOLTAGE CATEGORY: II)
RATED CURRENT: 13A MAX. / ONE CONTACT
DIELECTRIC
WITHSTANDING VOLTAGE : 2000VAC
INSULATION
RESISTANCE : 5000MΩ MIN. (AT 500VDC)
APPLICABLE WIRE: 1.25mm MAX.

仕様

コンタクト: #16コンタクト 8本
定格電圧 : A, B, H端子 400VAC
: C, D, E, F端子 100VAC
: G端子 アース端子
(汚染度: 2 / 過電圧範疇: II)
定格電流 : 13A以下 / 1芯
耐電圧 : 2000VAC
絶縁抵抗 : 5000MΩ以上(500VDCにて)
適用電線 : 1.25mm以下

符号 NO.	名称 DESCRIPTION	個数 QTY.	材料 MATERIAL	仕上 FINISH	備考 REMARKS
9	RETAINING RING	1	COPPER ALLOY	ZINC PLATING	COLOR:BLACK SYSTEM INTERFERENCE COLOR
8	REAR INSULATOR	1	SYNTHETIC RESIN	NONE	COLOR:BLACK
7	GASKET	1	SYNTHETIC RUBBER	NONE	COLOR:BLACK
6	COUPLING NUT	1	ALUMNUM ALLOY	ZINC PLATING	COLOR:BLACK SYSTEM INTERFERENCE COLOR
5	BARREL	1	ALUMNUM ALLOY	ZINC PLATING	COLOR:BLACK SYSTEM INTERFERENCE COLOR
4	FRONT INSULATOR	1	SYNTHETIC RESIN	NONE	COLOR:BLACK
3	EARTH LUG	1	COPPER ALLOY	SILVER PLATING	
2	CONTACT(EARTH)	1	COPPER ALLOY	SILVER PLATING	CONTACT No.:G
1	CONTACT(POWER)	7	COPPER ALLOY	SILVER PLATING	CONTACT No.:A, B, C, D, E, F, H

仕様書(SPECIFICATION) JAGS-5080.T95-4	第1版(ORIGINAL DATE) 21.Dec.2005	尺度(SCALE) 1:1	シリーズ(SERIES) JL04V	日本航空電子工業株式会社 JAPAN AVIATION ELECTRONICS INDUSTRY, LTD.
製図 DR. T.SUZUKI	製図 CHK. T.SUZUKI	名称(TITLE) JL04V-6A20 -7SE-R		図面番号(DRAWING NO.) SJ105460
公差(GENERAL TOLERANCE) 寸法(DIMENSION) 角度(ANGLES)	担当 CHK. 査閲 APPD. 承認 APPD. T.OKAMURA A. Onogawa	質量(MASS)	参考	
・ ±0.8 ・ X ±0.4 ・ XX ±0.1 ・ XXX ±	×° ± ××° ±			

DOF-O-212F(05.08)

