



Chipsmall Limited consists of a professional team with an average of over 10 year of expertise in the distribution of electronic components. Based in Hongkong, we have already established firm and mutual-benefit business relationships with customers from,Europe,America and south Asia,supplying obsolete and hard-to-find components to meet their specific needs.

With the principle of “Quality Parts,Customers Priority,Honest Operation,and Considerate Service”,our business mainly focus on the distribution of electronic components. Line cards we deal with include Microchip,ALPS,ROHM,Xilinx,Pulse,ON,Everlight and Freescale. Main products comprise IC,Modules,Potentiometer,IC Socket,Relay,Connector.Our parts cover such applications as commercial,industrial, and automotives areas.

We are looking forward to setting up business relationship with you and hope to provide you with the best service and solution. Let us make a better world for our industry!



Contact us

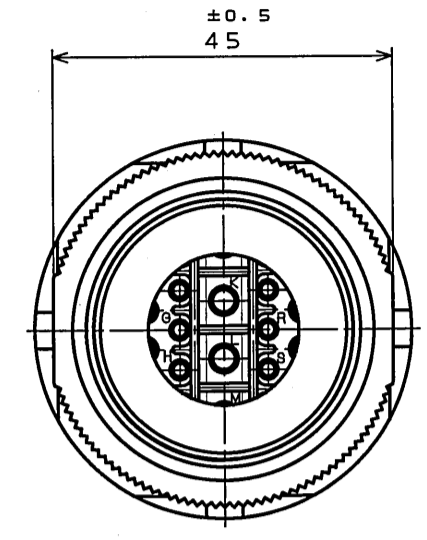
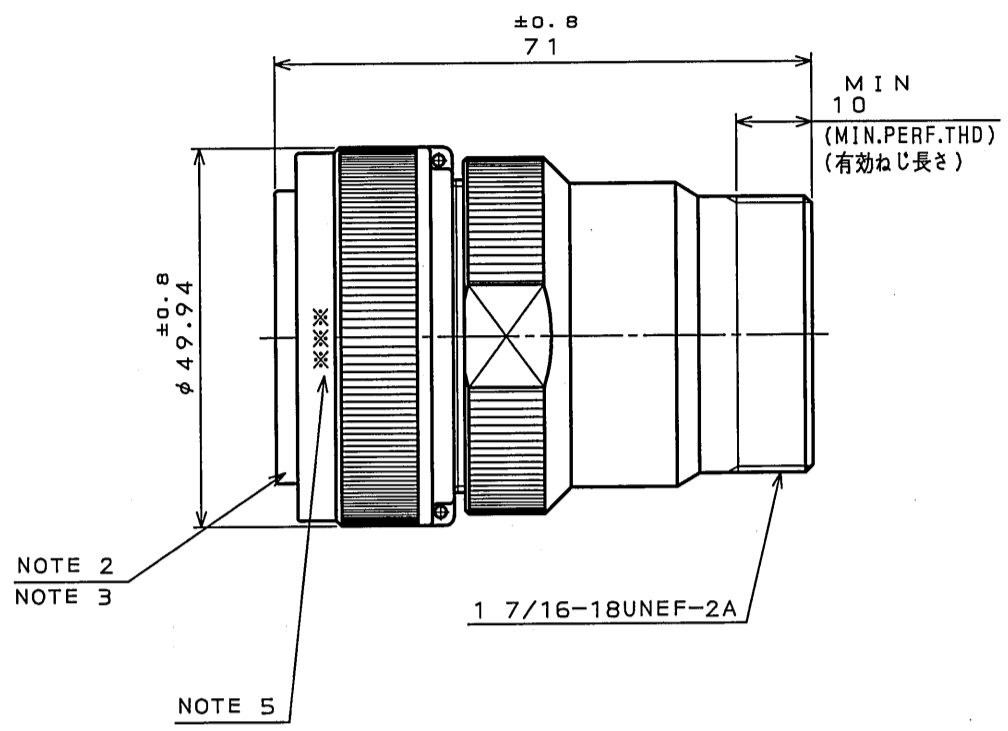
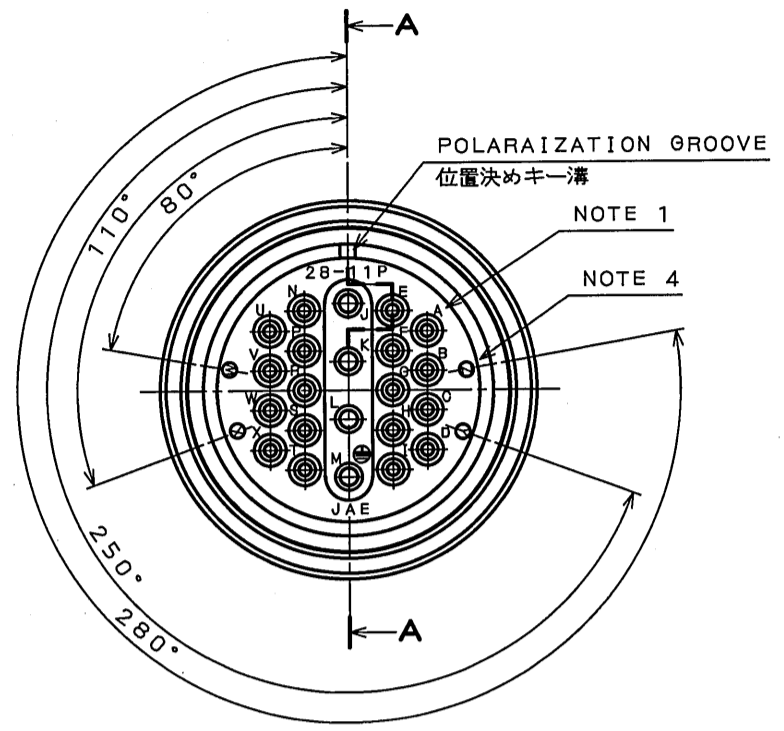
Tel: +86-755-8981 8866 Fax: +86-755-8427 6832

Email & Skype: info@chipsmall.com Web: www.chipsmall.com

Address: A1208, Overseas Decoration Building, #122 Zhenhua RD., Futian, Shenzhen, China



版数 REV.	年月日 DATE	CON NO.	変更内容 DESCRIPTION	製図 DR.	担当 CHK.	査閲 APPD.	承認 APPD.



DESIGNATION
命名法

JL04V-6A28-11PE*-EB-R

SERIES シリーズ名
PLUG (STRAIGHT) プラグ(ストレート)
CLASS 嵌合時嵌合部防水構造
SHELL SIZE シェルサイズ
CONTACT ARRANGMENT インサート名
PIN CONTACT ピンコンタクト
WITH PROTECTIVE EARTH CONTACT 保護回路接続構造
ALTERNATE INSERT POSITIONS インサート回転角度
NONE: NORMAL POSITION
W : 80°
X : 110°
Y : 250°
Z : 280°
WITH END BELL エンドベル付
SUFFIX 特殊記号

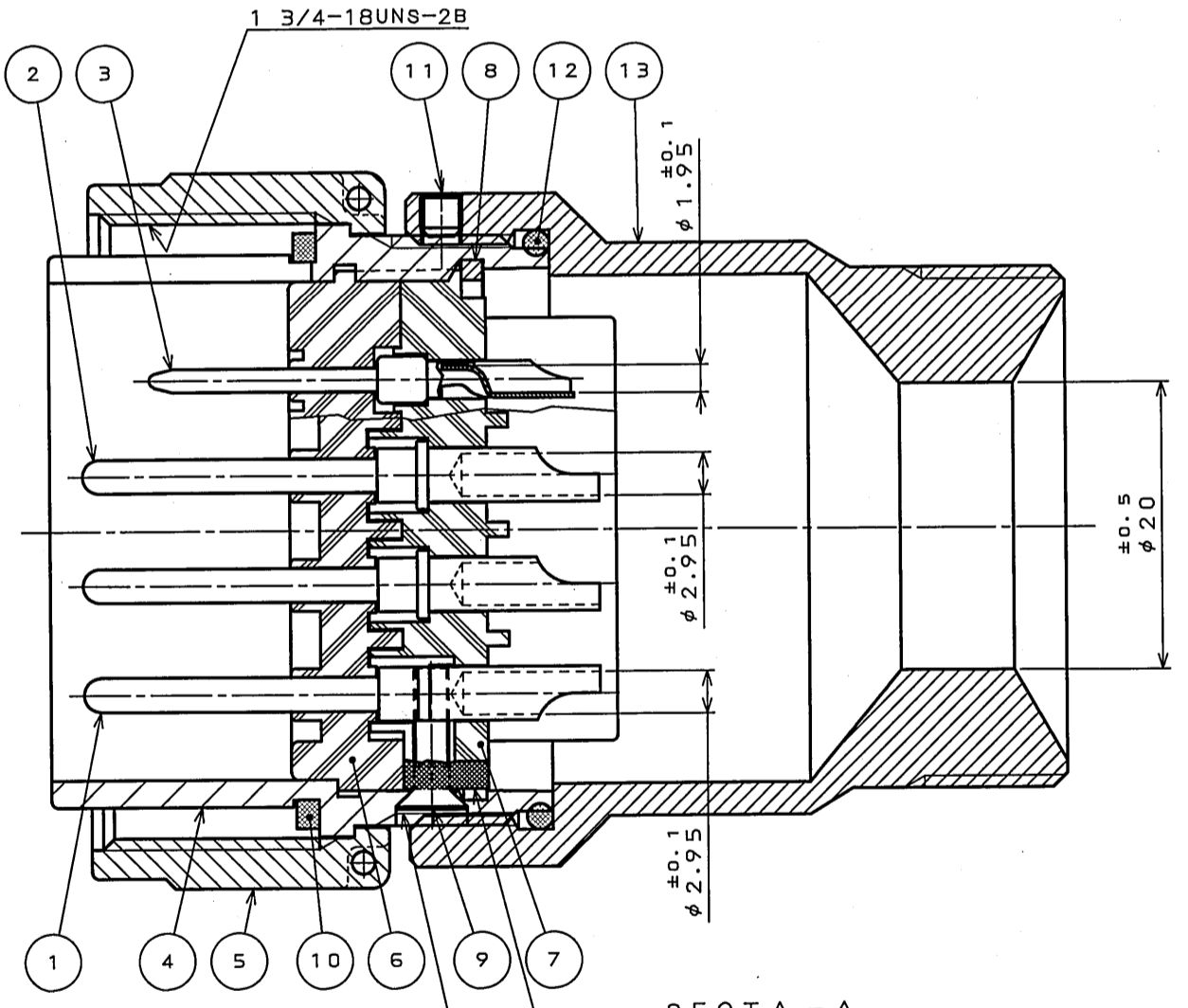
特別管理品目
TUV

NOTE 1. CONTACT POSITION NUMBER IS MARKED IN THE AREA SHOWN. EARTH MARK (⊕) IS MARKED NEAR BY CONTACT No. "M".
2. COMPANY LOGO "JAE" APPEARS IN THE AREA SHOWN.
3. PART NUMBER AS INDICATED. "R" IS NOT MARKED.
4. ALTERNATE INSERT POSITIONS ARE MARKED IN THE AREA SHOWN.
5. PRODUCTION LOT NUMBER ARE MARKED AS INDICATED.

*** MANUFACTURER MONTH (1~9, X, Y, Z)
(JAN~SEP, OCT, NOV, DEC.)
MANUFACTURER YEAR ('05, '06, '07, ...)

注1. 図示の位置に端子番号を表示する。又、保護回路接続(M端子)は⊕で表わす。
2. 図示の位置に社名【JAE】を表示する。
3. 図示の位置に品名を表示する。但し、品名末尾の「-R」は表示しない。
4. 図示の位置にインサート回転角度記号を表示する。
5. 図示の位置に製造ロットNO.を表示する。

*** 製造月(1~9月, X:10月, Y:11月, Z:12月)
製造年('05, '06, '07, ...)



SECTA-A
(SCALE 2:1)

SPECIFICATION

NUMBER OF CONTACT : 4X#12
: 18X#16

RATED VOLTAGE : #12CONTACT 250VAC
: #16CONTACT 100VAC

RATED CURRENT : #12CONTACT 23A MAX/ONE CONTACT
: #16CONTACT 13A MAX/ONE CONTACT

DIELECTRIC WITHSTANDING VOLTAGE : 2000VAC
INSULATION RESISTANCE : 5000MΩMIN (AT DC500V)
APPLICABLE WIRE : #12CONTACT 3.5mm MAX
: #16CONTACT 1.25mm MAX

仕様

コンタクト: #12コンタクト 4本
: #16コンタクト 18本

定格電圧: #12コンタクト 250VAC
: #16コンタクト 100VAC
(汚染度: 2 (但し、嵌合部のみ汚染度3) / 過電圧範疇: III)

定格電流: #12コンタクト 23A以下/1芯
: #16コンタクト 13A以下/1芯

耐電圧: 2000VAC
絶縁抵抗: 5000MΩMIN (DC500Vにて)
適用電線: #12コンタクト 3.5mm以下
: #16コンタクト 1.25mm以下

13	STRAIGHT ENDBELL	1	ALUMINUM ALLOY	ZINC PLATING	COLOR:BLACK SYSTEM INTERFERENCE COLOR
12	*O* RING	1	SYNTHETIC RUBBER	NONE	COLOR:BLACK
11	SET SCREW	1	STEEL	ZINC PLATING	COLOR:BLACK SYSTEM INTERFERENCE COLOR
10	GASKET	1	SYNTHETIC RUBBER	NONE	COLOR:BLACK
9	SCREW(M2.5)	1	COPPER ALLOY	NICKEL PLATING	
8	RETAINING RING	1	COPPER ALLOY	ZINC PLATING	COLOR:BLACK SYSTEM INTERFERENCE COLOR
7	REAR INSULATOR	1	SYNTHETIC RESIN	NONE	COLOR:BLACK
6	FRONT INSULATOR	1	SYNTHETIC RESIN	NONE	COLOR:BLACK
5	COUPLING NUT	1	ALUMINUM ALLOY	ZINC PLATING	COLOR:BLACK SYSTEM INTERFERENCE COLOR
4	BARREL	1	ALUMINUM ALLOY	ZINC PLATING	COLOR:BLACK SYSTEM INTERFERENCE COLOR
3	#16 CONTACT(LINE)	18	COPPER ALLOY	SILVER PLATING	CONTACT No.: A~I, N~X
2	#12 CONTACT(LINE)	3	COPPER ALLOY	SILVER PLATING	CONTACT No.: J, K, L
1	#12 CONTACT(EARTH)	1	COPPER ALLOY	SILVER PLATING	CONTACT No.: M

仕様書(SPECIFICATION) JACS-5080.T95-4	第1版(ORIGINAL DATE) 20.Dec.2005	尺(SCALE) 1:1	シリーズ(SERIES) JL04V	製図 DR. T.SUZUKI	名称(TITLE) JL04V-6A28-11PE* -EB-R	日本航空電子工業株式会社 JAPAN AVIATION ELECTRONICS INDUSTRY, LTD.
公差(GENERAL TOLERANCE) 寸法(DIMENSION) 角度(ANGLES)	製造 DR. T.SUZUKI	担当 CHK. T.SUZUKI	承認 APPD. TOKAMURA	承認 APPD. A. Onegawa	質量(MASS)	図面番号(DRAWING NO.) SJ105408
. ±0.8 .X ±0.4 .XX ±0.1 .XXX ±	X° ± X°X' ±					版数 (REV.) 1

DOF-0-213F(05.08)

