



Chipsmall Limited consists of a professional team with an average of over 10 year of expertise in the distribution of electronic components. Based in Hongkong, we have already established firm and mutual-benefit business relationships with customers from,Europe,America and south Asia,supplying obsolete and hard-to-find components to meet their specific needs.

With the principle of "Quality Parts,Customers Priority,Honest Operation,and Considerate Service",our business mainly focus on the distribution of electronic components. Line cards we deal with include Microchip,ALPS,ROHM,Xilinx,Pulse,ON,Everlight and Freescale. Main products comprise IC,Modules,Potentiometer,IC Socket,Relay,Connector.Our parts cover such applications as commercial,industrial, and automotives areas.

We are looking forward to setting up business relationship with you and hope to provide you with the best service and solution. Let us make a better world for our industry!



Contact us

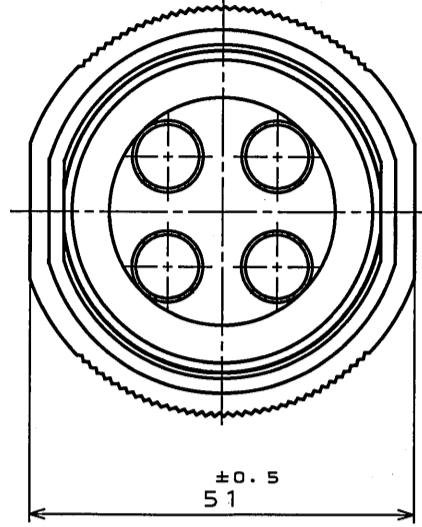
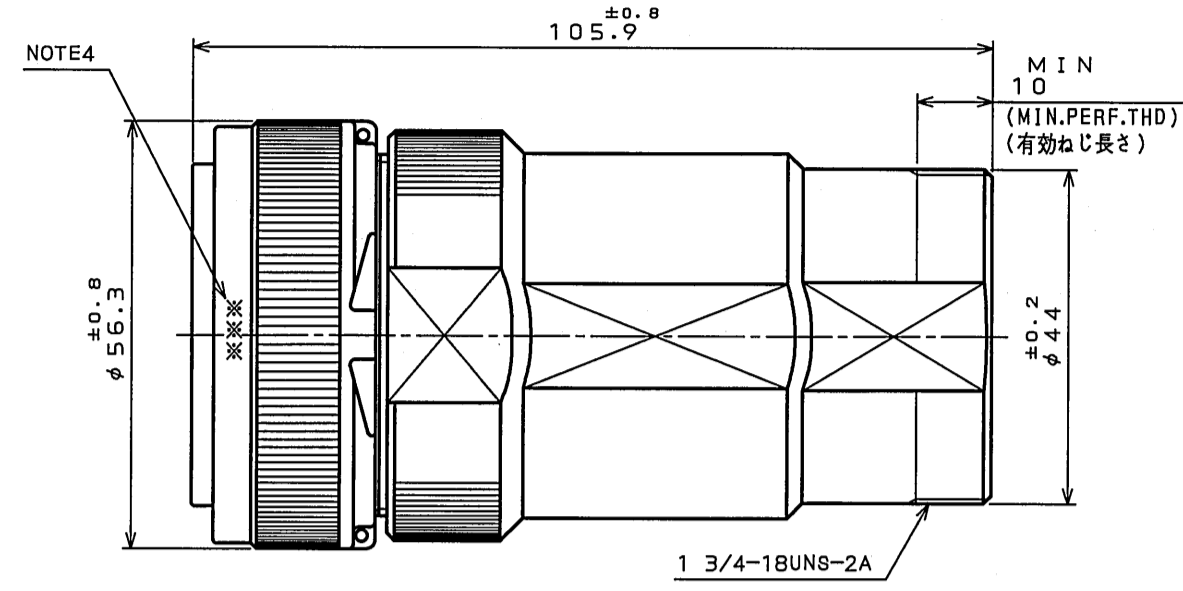
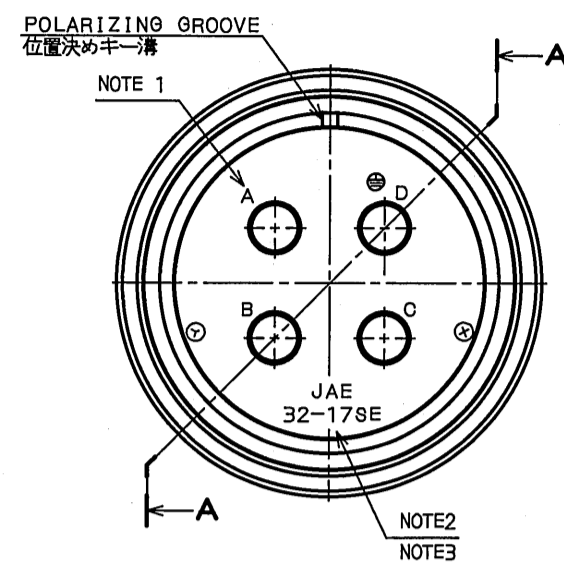
Tel: +86-755-8981 8866 Fax: +86-755-8427 6832

Email & Skype: info@chipsmall.com Web: www.chipsmall.com

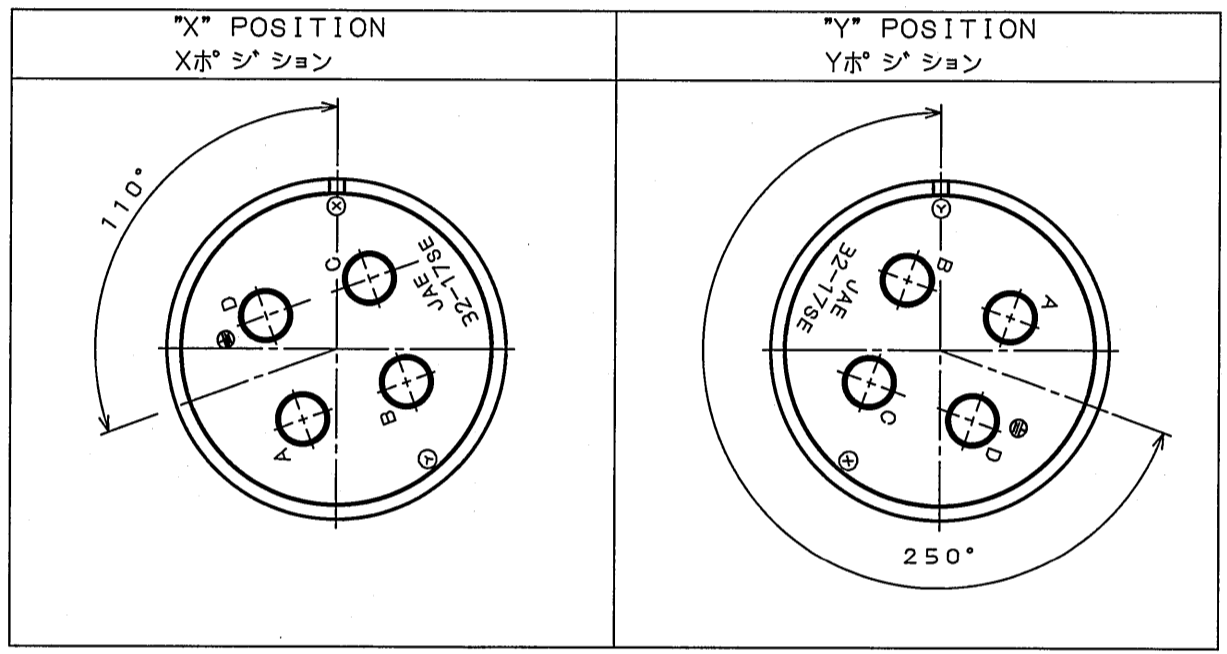
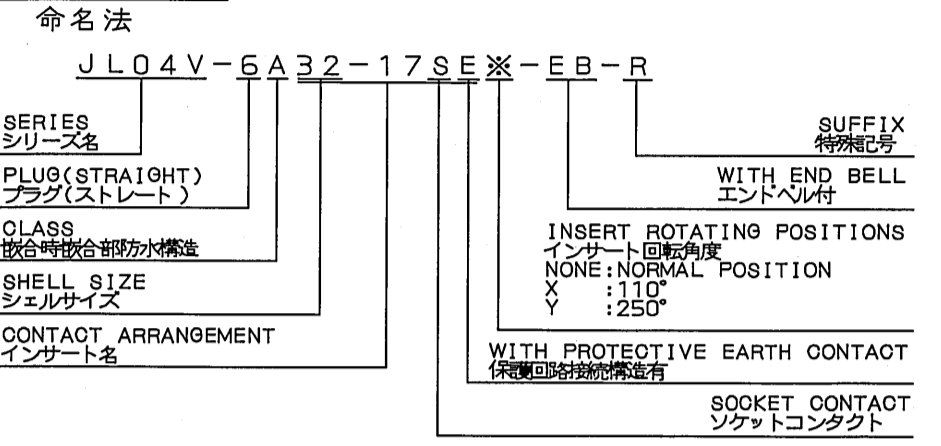
Address: A1208, Overseas Decoration Building, #122 Zhenhua RD., Futian, Shenzhen, China



版数 REV.	年月日 DATE	DCN NO.	変更内容 DESCRIPTION	製図 DR.	担当 GHK.	査閲 APPD.	承認 APPD.



DESIGNATION



INSERT ROTATING POSITIONS
インサート回転角度
(NOTE 5)

SPECIFICATION

NUMBER OF CONTACT : 4X#4
 RATED VOLTAGE : 500VAC POLLUTION DEGREE:2
 : 250VAC POLLUTION DEGREE:3 OVER VOLTAGE CATEGORY: III
 RATED CURRENT : 80A MAX./ONE CONTACT
 DIELECTRIC WITHSTANDING VOLTAGE : 2000VAC
 INSULATION RESISTANCE : 5000MΩ MIN. (AT 500VDC)
 APPLICABLE WIRE : 22# MAX.

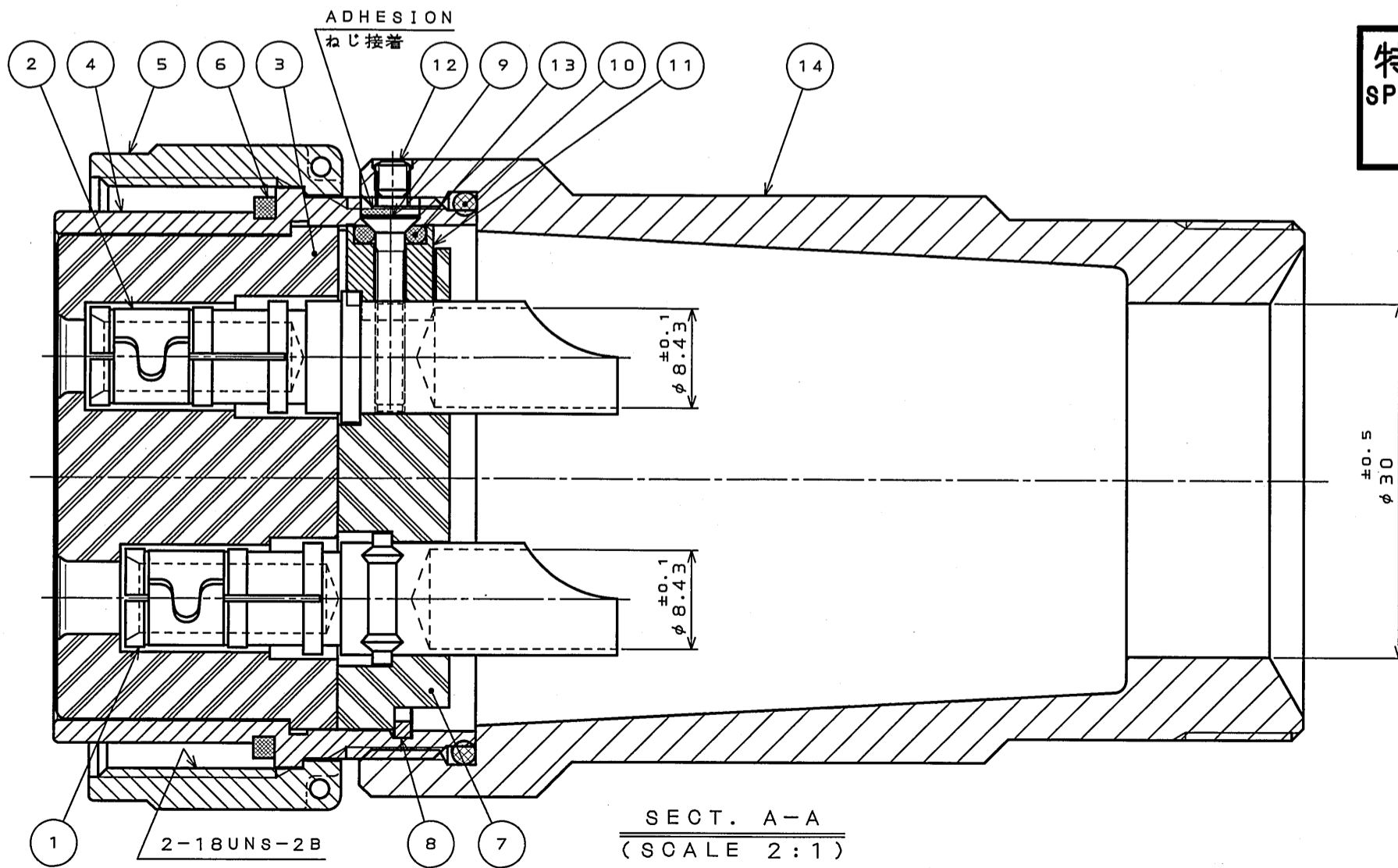
仕様

コンタクト : #4コンタクト 4本
 定格電圧 : 500VAC (汚染度: 2/過電圧範疇: II)
 : 250VAC (汚染度: 3/過電圧範疇: III)
 定格電流 : 80A以下/1芯
 耐電圧 : 2000VAC
 絶縁抵抗 : 5000MΩ以上 (DC500Vにて)
 適用電線 : 22#以下

- NOTE 1. CONTACT POSITION NUMBER IS MARKED IN THE AREA SHOWN. EARTH MARK (⊕) IS MARKED NEAR BY CONTACT No. "D".
 2. COMPANY LOGO "JAE" APPEARS IN THE AREA SHOWN.
 3. CONTACT ARRANGEMENT NUMBER "32-17SE" IS MARKED IN THE AREA SHOWN.
 4. PRODUCTION LOT NUMBER ARE MARKED AS INDICATED.
 ※※※ MANUFACTURER MONTH (1~9, X, Y, Z) (JAN,~SEP, OCT, NOV, DEC.)
 MANUFACTURER YEAR ('05, '06, '07, ...)
 5. TO PREVENT MIS-MATING OF CONNECTOR, THERE ARE THREE INSERT ROTATING POSITIONS AVAILABLE: NORMAL, X, AND Y (POSITIONS IS DIFFERENT EACH OTHER). NORMAL POSITION IS SHOWN IN THE FRONT VIEW.

- 注1. 図示の位置に端子番号を表示する。又、保護回路接続(D端子)は ⊕ で表わす。
 2. 図示の位置に社名【JAE】を表示する。
 3. 図示の位置にインサート名【32-17SE】を表示する。
 4. 図示の位置に製造ロットNo.を表示する。
 ※※※ 製造月(1~9月,X:10月,Y:11月,Z:12月)
 製造年('05,'06,'07,...)
 5. コネクタの誤嵌合防止の為、3つのインサート回転角度(互いに角度が異なる)ノーマル, X, Yポジションがある。正面図は、ノーマルポジションのものである。

特別管理品目
SPECIAL CONTROL ITEM
T U V



SECT. A-A
(SCALE 2:1)

14	STRAIGHT END BELL	1	ALUMINUM ALLOY	ZINC PLATING	COLOR:BLACK SYSTEM INTERFERENCE COLOR
13	"O" RING	1	SYNTHETIC RUBBER	NONE	COLOR:BLACK
12	SET SCREW	1	STEEL	ZINC PLATING	COLOR:BLACK SYSTEM INTERFERENCE COLOR
11	ASSIST CONDUCTOR	1	COPPER ALLOY	SILVER PLATING	
10	"O" RING	1	SYNTHETIC RUBBER	NONE	COLOR:BLACK
9	SCREW (M2.5)	1	COPPER ALLOY	NICKEL PLATING	
8	RETAINING RING	1	COPPER ALLOY	ZINC PLATING	COLOR:BLACK SYSTEM INTERFERENCE COLOR
7	REAR INSULATOR	1	SYNTHETIC RESIN	NONE	COLOR:BLACK
6	GASKET	1	SYNTHETIC RUBBER	NONE	COLOR:BLACK
5	COUPLING NUT	1	ALUMINUM ALLOY	ZINC PLATING	COLOR:BLACK SYSTEM INTERFERENCE COLOR
4	BARREL	1	ALUMINUM ALLOY	ZINC PLATING	COLOR:BLACK SYSTEM INTERFERENCE COLOR
3	FRONT INSULATOR	1	SYNTHETIC RESIN	NONE	COLOR:BLACK
2	CONTACT(EARTH)	1	COPPER ALLOY	SILVER PLATING	CONTACT NO.:D
1	CONTACT(LINE)	3	COPPER ALLOY	SILVER PLATING	CONTACT NO.:A,B,C

仕様書(SPECIFICATION) JACS-5080,T95-4	第1版(ORIGINAL DATE) 20.Dec.2005	尺度(SCALE) 1:1	シリーズ(SERIES) JL04V	備考 日本航空電子工業株式会社 JAPAN AVIATION ELECTRONICS INDUSTRY, LTD.
製図 DR. T.SUZUKI	担当 OHK. T.SUZUKI	名称(TITLE) JL04V-6A32-17SE※ -EB-R	図面番号(DRAWING NO.) SJ105470	版数(REV.) 1
公差(GENERAL TOLERANCE) 寸法(DIMENSION) 角度(ANGLES) ・ ±0.8 X° ± .X ±0.4 X°X' ± .XX ±0.1 X°X' ± .XXX ±	承認 APPD. TOKAMURA 承認 APPD. A. Onogawa	重量(MASS)		