



Chipsmall Limited consists of a professional team with an average of over 10 year of expertise in the distribution of electronic components. Based in Hongkong, we have already established firm and mutual-benefit business relationships with customers from,Europe,America and south Asia,supplying obsolete and hard-to-find components to meet their specific needs.

With the principle of “Quality Parts,Customers Priority,Honest Operation,and Considerate Service”,our business mainly focus on the distribution of electronic components. Line cards we deal with include Microchip,ALPS,ROHM,Xilinx,Pulse,ON,Everlight and Freescale. Main products comprise IC,Modules,Potentiometer,IC Socket,Relay,Connector.Our parts cover such applications as commercial,industrial, and automotives areas.

We are looking forward to setting up business relationship with you and hope to provide you with the best service and solution. Let us make a better world for our industry!



Contact us

Tel: +86-755-8981 8866 Fax: +86-755-8427 6832

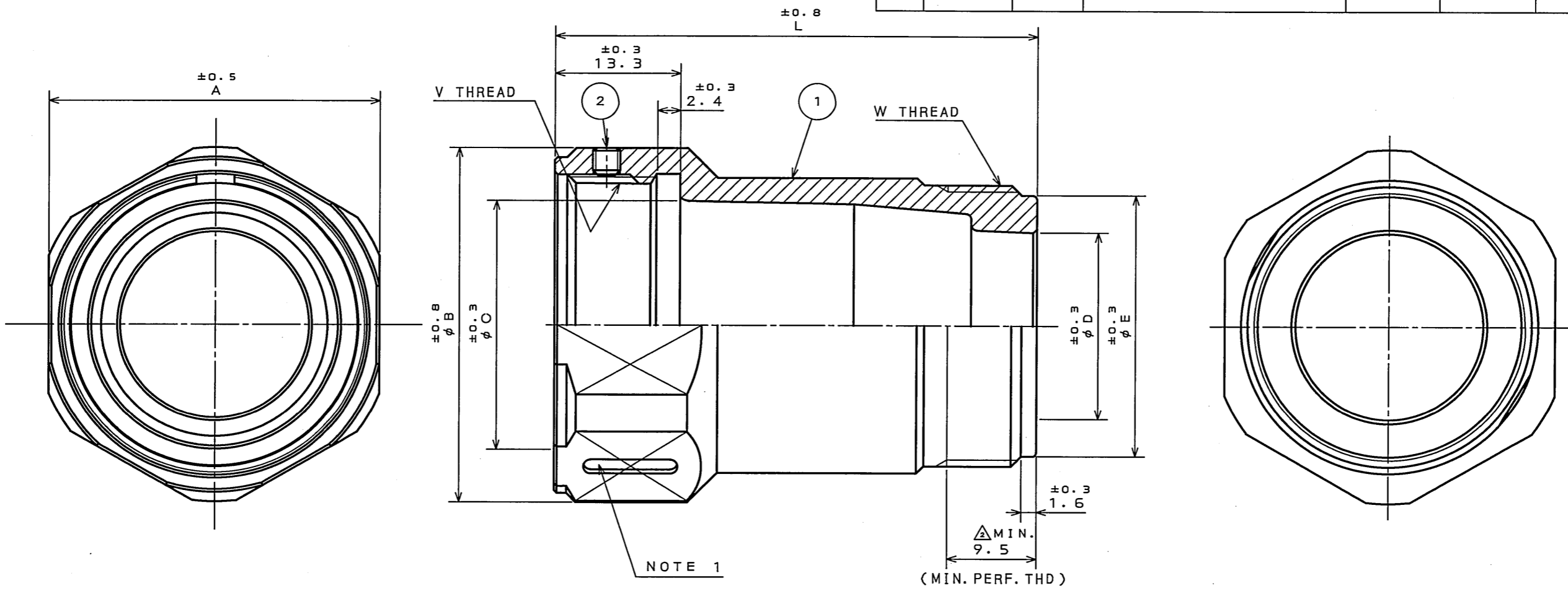
Email & Skype: info@chipsmall.com Web: www.chipsmall.com

Address: A1208, Overseas Decoration Building, #122 Zhenhua RD., Futian, Shenzhen, China



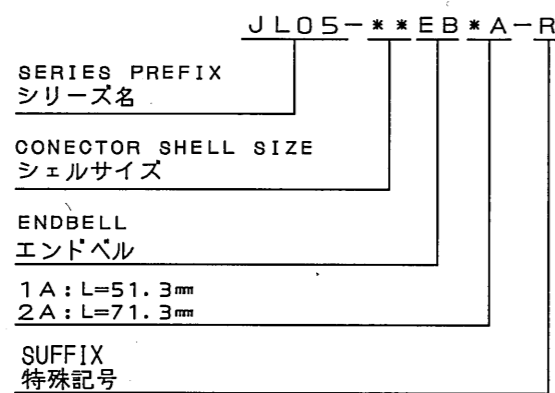
SJ105246
(DRAWING NO.)

版数 REV.	年月日 DATE	DCN NO.	変更内容 DESCRIPTION	製図 DR.	担当 CHK.	査閲 APPD.	承認 APPD.
2	19.Jun.2008	066028	CORRECT AN ERROR		H.NAKAJIMA	T.OKAMURA	E.Matsumoto



DESIGNATION

命名法



SHELL SIZE	PART NUMBER		A	φB	φC	φD	φE	V THREAD	W THREAD
	L=51.3mm	L=71.3mm							
18	JL05-18EB1A-***		29	32	20.2	16	23.4	1-20UNEF-2B	1-20UNEF-2A
20	JL05-20EB1A-***		33	36	24.2	20	28	1 1/8-18UNEF-2B	1 3/16-18UNEF-2A
22	JL05-22EB1A-***	JL05-22EB2A-***	35	38	26.7	20	28	1 1/4-18UNEF-2B	1 3/16-18UNEF-2A
24	JL05-24EB1A-***	JL05-24EB2A-***	38	41	29.9	25	32.9	1 3/8-18UNEF-2B	1 7/16-18UNEF-2A
28	JL05-28EB1A-***	JL05-28EB2A-***	44	47	35.5	25	32.9	1 5/8-18UNEF-2B	1 7/16-18UNEF-2A

2	HEXA00N SOCKET SET SCREW	1	IRON	ZINC PLATING	M3X0.5 COLOR:BLACK SYSTEM INTERFERENCE COLOR
1	ENDBELL	1	ALUMINUM ALLOY	ZINC PLATING	COLOR:BLACK SYSTEM INTERFERENCE COLOR
符号 NO.	名称 DESCRIPTION	個数 QTY.	材 料 MATERIAL	仕 上 FINISH	備 考 REMARKS
仕様書 (SPECIFICATION) T90-3-2		第1版 (ORIGINAL DATE) 12.Dec.2005		尺度 (SCALE) 2:1	シリーズ (SERIES) JL05
公差 (GENERAL TOLERANCE)		製図 DR. M.SASAKI		名称 (TITLE) JL05-***EB*A-R (ENDBELL)	
寸法 (DIMENSION) / 角度 (ANGLES)		担当 CHK. M.NITTA			
. ± / X° ±		査閲 APPD. E.MATSUMOTO			
.XX ± / XX° ±		承認 APPD. A.ONOGAWA			
.XXX ± / XXX° ±				質量 (MASS)	図面番号 (DRAWING NO.) SJ105246

NOTE 1. A CONECTOR SHELL SIZE IS AS INDICATED.
1. 図示の位置にシェルサイズを表示する。

DOF-0-212F(05.08)

