



Chipsmall Limited consists of a professional team with an average of over 10 year of expertise in the distribution of electronic components. Based in Hongkong, we have already established firm and mutual-benefit business relationships with customers from,Europe,America and south Asia,supplying obsolete and hard-to-find components to meet their specific needs.

With the principle of "Quality Parts,Customers Priority,Honest Operation,and Considerate Service",our business mainly focus on the distribution of electronic components. Line cards we deal with include Microchip,ALPS,ROHM,Xilinx,Pulse,ON,Everlight and Freescale. Main products comprise IC,Modules,Potentiometer,IC Socket,Relay,Connector.Our parts cover such applications as commercial,industrial, and automotives areas.

We are looking forward to setting up business relationship with you and hope to provide you with the best service and solution. Let us make a better world for our industry!



Contact us

Tel: +86-755-8981 8866 Fax: +86-755-8427 6832

Email & Skype: info@chipsmall.com Web: www.chipsmall.com

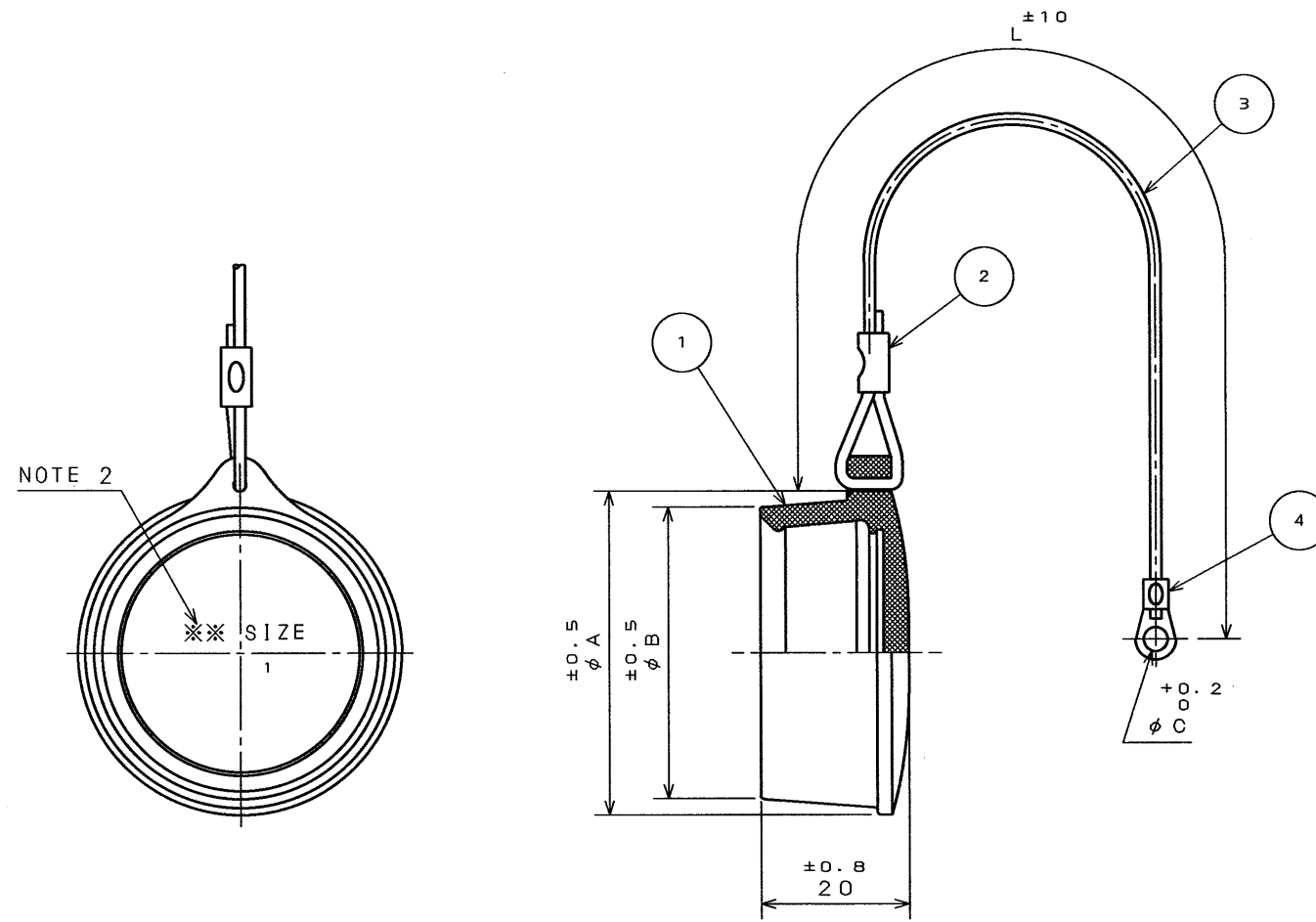
Address: A1208, Overseas Decoration Building, #122 Zhenhua RD., Futian, Shenzhen, China



SJ025936-E

DWG. NO.

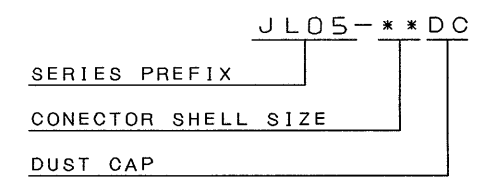
SYM.	DCN NO.	DESCRIPTION	DATE	DRAWN	CHECKED	APP'D	APP'D



TABLE

PART NUMBER	$\phi A \pm 0.5$	$\phi B \pm 0.5$	$\phi C \pm 0.2$	$L \pm 10$
JL05-18DC	37.5	33.1	3.2	80
JL05-20DC	42.6	38.2	3.2	100
JL05-22DC	43.8	39.4	3.2	110
JL05-24DC	47	42.6	4.3	130
JL05-28DC	53.3	49	4.3	150

DESIGNATION



NOTE 1. THIS IS A RECEPTACLE COVER.
NOTE 2. A CONECTOR SHELL SIZE IS AS INDICATED.

ITEM	DESCRIPTION	Q'TY	MATERIAL	FINISH	REMARKS
4	CLIMP-TYPE TERMINAL LUG	1	COPPER ALLOY	TIN PLATING	
3	ROPE	1	SYNTHETIC RESIN		COLOR:BLACK
2	CLIMP-TYPE SLEEVE	1	COPPER ALLOY	TIN PLATING	
1	DUST CAP	1	SYNTHETIC RUBBER		COLOR:BLACK

DIMENSIONS ARE IN MILLIMETERS
TOLERANCES ON: (INCHES)

DIMENSION	ANGLES
. ±	X° ±
.X ±	X°X' ±
.XX ±	CONCENTRICITY
.XXX ±	WITHIN T.I.R.

REFERENCE DOCUMENT	DATE 14. Mar. '95	SCALE 1:1	WT.
MATERIAL	DRAWN S. NANO	JAE-CONNECTOR.COM Reference	
TREATMENT	CHECKED T. MOKITA	TITLE JL05-***DC (PROTECTIVE DUST CAP)	
FINISH	APP'D M. Takagi	SERIES JL05	
JAPAN AVIATION ELECTRONICS INDUSTRY, LTD. MUSASHINO, AKISHIMA-SHI TOKYO, JAPAN			DWG. NO. SJ025936-E

DCF-C-143



CSP-95-100-50927

SIZE A3