



Chipsmall Limited consists of a professional team with an average of over 10 year of expertise in the distribution of electronic components. Based in Hongkong, we have already established firm and mutual-benefit business relationships with customers from,Europe,America and south Asia,supplying obsolete and hard-to-find components to meet their specific needs.

With the principle of “Quality Parts,Customers Priority,Honest Operation,and Considerate Service”,our business mainly focus on the distribution of electronic components. Line cards we deal with include Microchip,ALPS,ROHM,Xilinx,Pulse,ON,Everlight and Freescale. Main products comprise IC,Modules,Potentiometer,IC Socket,Relay,Connector.Our parts cover such applications as commercial,industrial, and automotives areas.

We are looking forward to setting up business relationship with you and hope to provide you with the best service and solution. Let us make a better world for our industry!



## Contact us

Tel: +86-755-8981 8866 Fax: +86-755-8427 6832

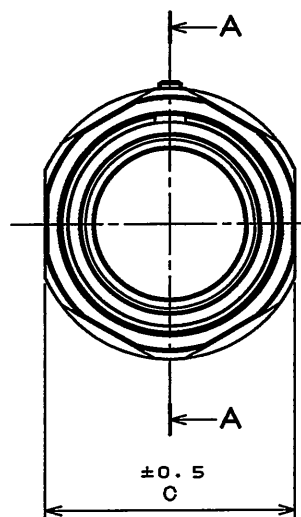
Email & Skype: info@chipsmall.com Web: www.chipsmall.com

Address: A1208, Overseas Decoration Building, #122 Zhenhua RD., Futian, Shenzhen, China

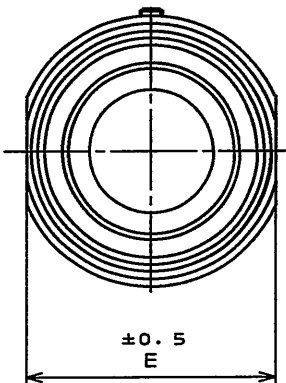
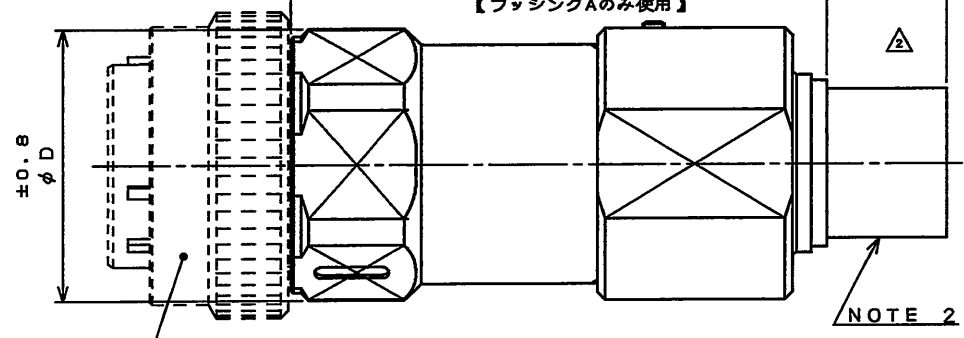


952501RS  
(ON ENIMVH)台巻異図

版数 REV.	年月日 DATE	DCN NO.	変更内容 DESCRIPTION	製図 DR.	担当 CHK.	査閲 APPD.	承認 APPD.
2	28.Dec.2009	069233	仕様書欄変更、注記追加		H.TOYOFUKU	TOKAMURA	E.Matsumoto



EXCEPT 18 SIZE



DESIGNATION

命名法  
JL05-\*\*-EB3B-(\*\*)-R

SERIES PREFIX  
シリーズ名

SHELL SIZE(18, 20, 22, 24, 28)  
シェルサイズ

ENDBELL  
エンドベル

3B: ENDBELL OF WATERPROOF  
3B: 防水エンドベル

(\*\*): CABLE O. D. (SEE TABLE 1)  
(\*\*): ケーブル引出径

R: SUFFIX  
R: 特殊記号

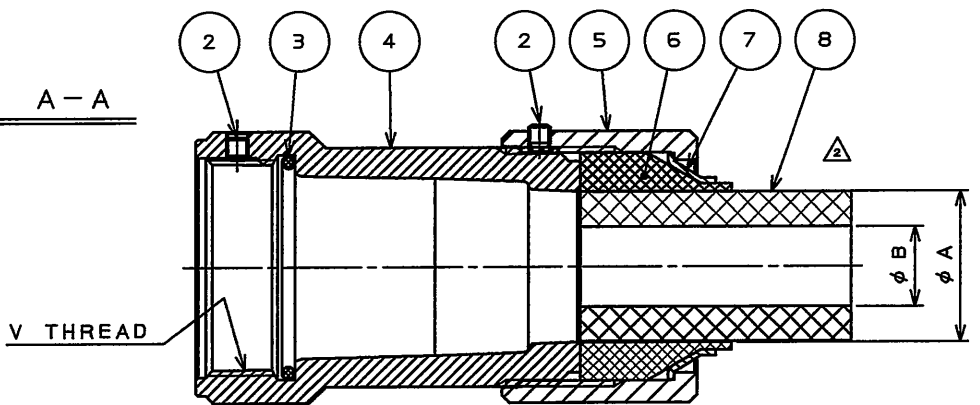
1 (NOTE 1)

18 SIZE

TABLE 1 △

SHELL SIZE	CABLE O. D.	BUSHING	
		A	B
18	(11)	φ 11	
20 AND 22	(11)	φ 20	φ 10.6
	(13)	φ 20	φ 12.7
	(17)	φ 16.5	
24 AND 28	(20)	φ 20	
	(13)	φ 16.5	φ 12.7
	(17)	φ 16.5	
	(21)	φ 21	

SECT. A-A



NOTE 1. CONNECTORS ARE ORDERED SEPARATELY.  
(SEE DWG. SJ105243)

△ 2. REFER TO TABLE 1 FOR THE USE OF BUSHING "B".

1. コネクタ本体は別売りである。(SJ105243参照)

△ 2. ブッシングBの使用についてはTABLE 1を参照のこと。

TABLE 2 DIMENSIONS

SHELL SIZE	G±0.5	φD±0.8	E±0.5	V THREAD
18	29	32		1-20UNEF-2B
20	33	36	33	1 1/8-18UNEF-2B
22	35	38	33	1 1/4-18UNEF-2B
24	38	41	37	1 3/8-18UNEF-2B
28	44	47	37	1 5/8-18UNEF-2B

8	BUSHING B	1	SYNTHETIC RUBBER		BLACK
7	SLEEVE	1	ALUMINUM ALLOY	ZINC PLATING	BLACK SYSTEM INTERFERENCE COLOR
6	BUSHING A	1	SYNTHETIC RUBBER		BLACK
5	GLAND NUT	1	ALUMINUM ALLOY	ZINC PLATING	BLACK SYSTEM INTERFERENCE COLOR
4	ENDBELL	1	ALUMINUM ALLOY	ZINC PLATING	BLACK SYSTEM INTERFERENCE COLOR
3	"O" RING	1	SYNTHETIC RUBBER		
2	HEXAGON SOCKET SET SCREW	2	IRON	ZINC PLATING	M3×0.5
1	CONNECTOR	1	ALUMINUM ALLOY	ZINC PLATING etc.	NOTE 1

符号 NO.	名称 DESCRIPTION	個数 QTY.	材料 MATERIAL	仕上 FINISH	備考 REMARKS
仕様書 (SPECIFICATION) △ JACS-5071 T90-3-3		第1版 (ORIGINAL DATE) 6.Jan.2006		尺度 (SCALE) 1:1	シリーズ (SERIES) JL05
公差 (GENERAL TOLERANCE)		製図 DR.		名称 (TITLE) JL05-**-EB3B-(**)-R	
寸法 (DIMENSION)		担当 CHK. N.SASANO		WATERPROOF ENDBELL FOR CABTYRE CABLE キャブタイヤケーブル用 JL05防水エンドベル	
角度 (ANGLES)		査閲 APPD. E.MATSUMOTO		質量 (MASS)	
. ±0.8		承認 APPD. A.ONOGAWA		日本航空電子工業株式会社 JAE ELECTRONICS INDUSTRY, LTD.	
.X ±0.4				図面番号 (DRAWING NO.) SJ105256	
.XX ±0.1				版数 (REV.) 2	
.XXX ±					

DOF-0-212F(05.06)

