



Chipsmall Limited consists of a professional team with an average of over 10 year of expertise in the distribution of electronic components. Based in Hongkong, we have already established firm and mutual-benefit business relationships with customers from,Europe,America and south Asia,supplying obsolete and hard-to-find components to meet their specific needs.

With the principle of “Quality Parts,Customers Priority,Honest Operation,and Considerate Service”,our business mainly focus on the distribution of electronic components. Line cards we deal with include Microchip,ALPS,ROHM,Xilinx,Pulse,ON,Everlight and Freescale. Main products comprise IC,Modules,Potentiometer,IC Socket,Relay,Connector.Our parts cover such applications as commercial,industrial, and automotives areas.

We are looking forward to setting up business relationship with you and hope to provide you with the best service and solution. Let us make a better world for our industry!



Contact us

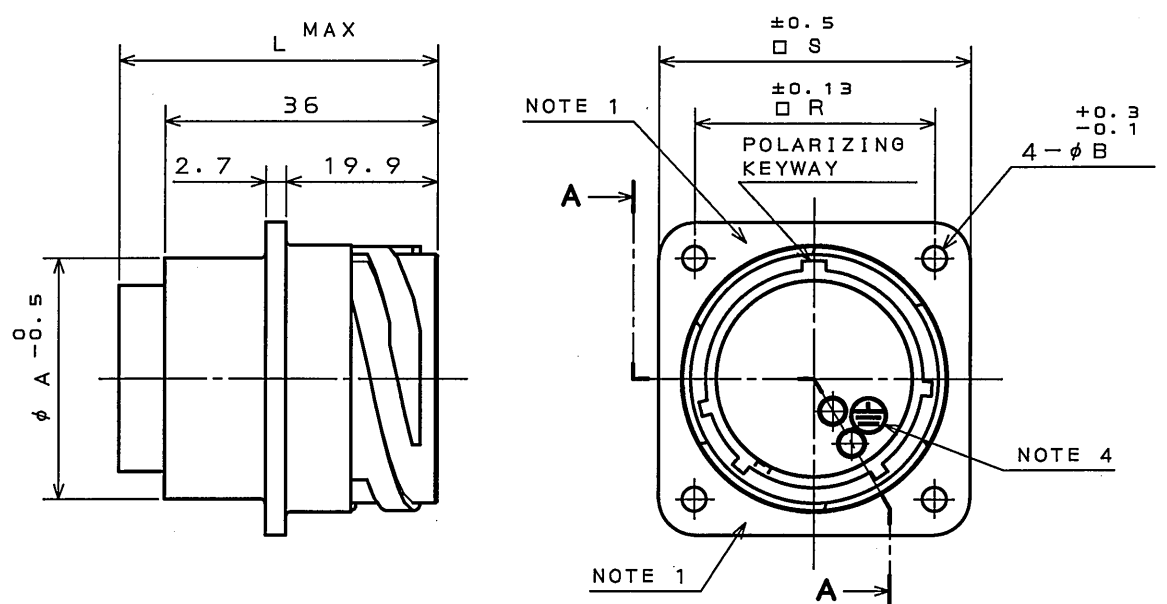
Tel: +86-755-8981 8866 Fax: +86-755-8427 6832

Email & Skype: info@chipsmall.com Web: www.chipsmall.com

Address: A1208, Overseas Decoration Building, #122 Zhenhua RD., Futian, Shenzhen, China



版数 REV.	年月日 DATE	CON NO.	変更内容 DESCRIPTION	製図 DR.	担当 CHK.	査閲 APPD.	承認 APPD.
2	19.May.2006	060114	CORRECT AN ERROR		M.NITTA	E. Matsumoto	A. Onogawa



SOCKET INSERT (THE UPPER PART)
ソケットインサートの場合(上) SECT. A-A
PIN INSERT (THE LOWER PART)
ピンインサートの場合(下) (SCALE 2:1)

TABLE 1 【DIMENSIONS】

SHELL SIZE	φA ±0.5	φB ±0.1	φS ±0.5	φR ±0.13
18	24.9	3.2	35	26.97
20	29.6	3.2	38.1	29.36
22	31.8	3.2	41.3	31.75
24	35.0	4.2	44.3	34.92
28	41.3	4.2	50.8	39.67

TABLE 2 【INSERT ARRANGEMENT】 (NOTE 2)

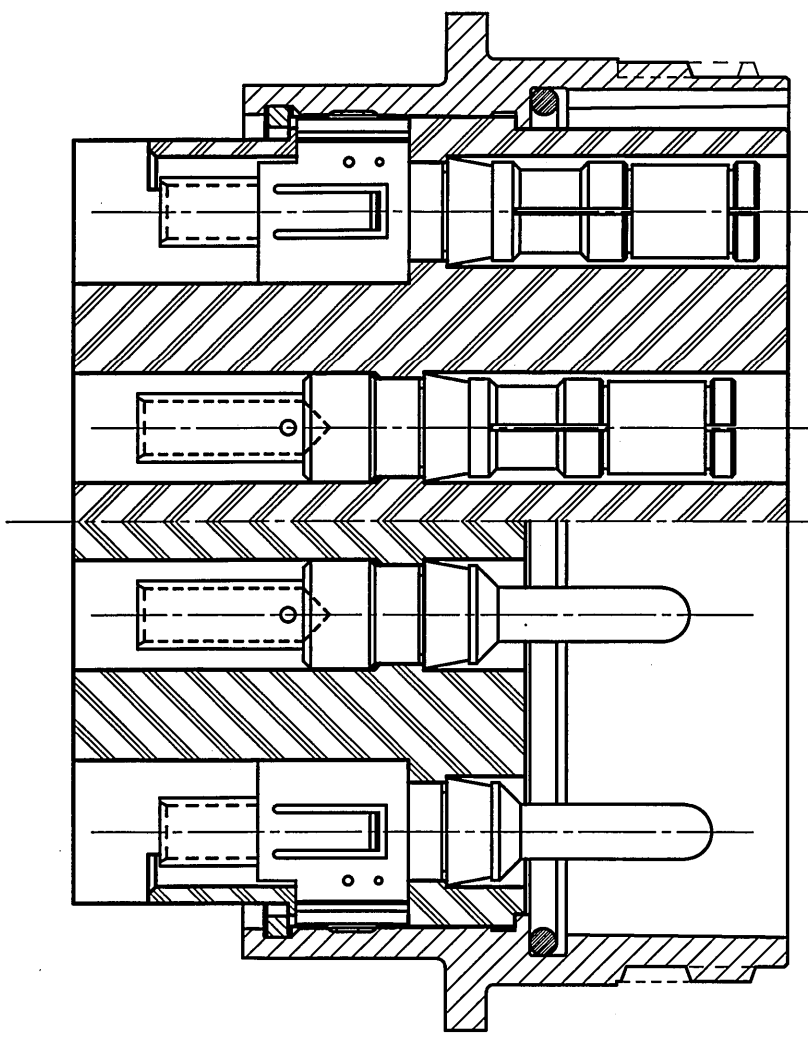
SHELL SIZE	CONTACT SIZE	# 8	# 12	# 16	# 20
18	NO. OF CONTACT	5	10	10	19
	INSERT ARRANGEMENT	18-11	18-1	18-1	18-19A
	DWG. NO.	SJ024904	SJ025293	SJ025297	SJ025297
20	NO. OF CONTACT	7	17	30	30
	INSERT ARRANGEMENT	20-15	20-29	20-29	20-30A
	DWG. NO.	SJ025291	SJ025294	SJ025298	SJ025298
22	NO. OF CONTACT	4	8	19	
	INSERT ARRANGEMENT	22-22	22-23	22-14	
	DWG. NO.	SJ024906	SJ025292	SJ024905	
24	NO. OF CONTACT	7		24	52
	INSERT ARRANGEMENT	24-10		24-28	24-52A
	DWG. NO.	SJ024907		SJ025295	SJ025299
28	NO. OF CONTACT			37	73
	INSERT ARRANGEMENT			28-21	28-73A
	DWG. NO.			SJ025296	SJ026288

CONTACT SIZE	L MIN.	
	PIN INSERT	SOCKET INSERT
# 8	48	
# 12	46	43
# 16	43	38
# 20	40	36.5

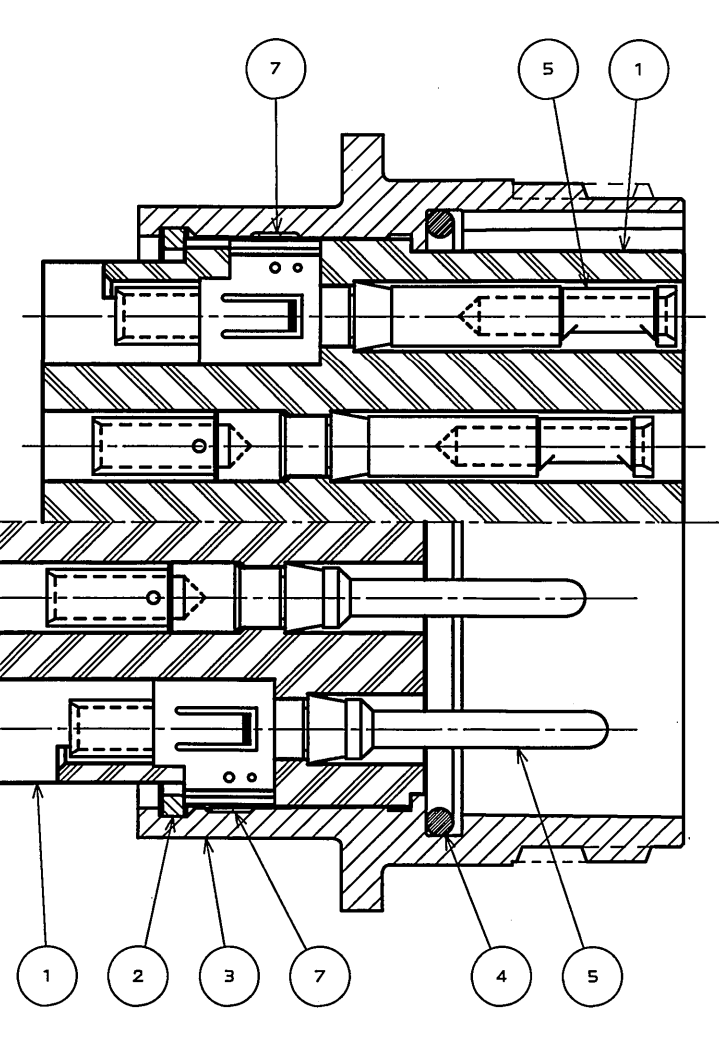
TABLE 3 【CRIMP TYPE CONTACTS】 (NOTE 3)

CONTACT SIZE	PIECE	CONTACT PART NUMBERS				TYPE	APPLICABLE WIRE
		PIN CONTACT	DWG. NO.	SOCKET CONTACT	DWG. NO.		
# 8	INDIVIDUAL	CONT-JL05-08P-01	SJ025430	CONT-JL05-08S-01	SJ025431	MACHINE	AWG# 8~10 (8mm~5.5mm)
		CONT-JL05-08P-02		CONT-JL05-08S-02			AWG# 10~12 (5.5mm~3.5mm)
# 12	INDIVIDUAL	CONT-JL05-12P-01	SJ025428	CONT-JL05-12S-01	SJ025429	MACHINE	AWG# 12~16 (3.5mm~1.25mm)
# 16	INDIVIDUAL	ST-JL05-16P-01	SJ025424	ST-JL05-16S-01	SJ025425	STAMPE	AWG# 14~16 (2mm~1.25mm)
		ST-JL05-16P-02		ST-JL05-16S-02			AWG# 16~20 (1.25mm~0.5mm)
		ST-JL05-16P-03		ST-JL05-16S-03			AWG# 20~24 (0.5mm~0.2mm)
	REELS OF 3500	ST-JL05-16P-01-3500	SJ025426	ST-JL05-16S-01-3500	SJ025427	STAMPE	AWG# 14~16 (2mm~1.25mm)
		ST-JL05-16P-02-3500		ST-JL05-16S-02-3500			AWG# 16~20 (1.25mm~0.5mm)
# 20	INDIVIDUAL	ST-JL05-20P-01	SJ025420	ST-JL05-20S-01	SJ025421	STAMPE	AWG# 18~22 (0.8mm~0.3mm)
		ST-JL05-20P-02		ST-JL05-20S-02			AWG# 22~26 (0.3mm~0.13mm)
		ST-JL05-20P-01-10000		ST-JL05-20S-01-10000			AWG# 18~22 (0.8mm~0.3mm)
REELS OF 10000	ST-JL05-20P-02-10000	SJ025422	ST-JL05-20S-02-10000	SJ025423	STAMPE	AWG# 22~26 (0.3mm~0.13mm)	

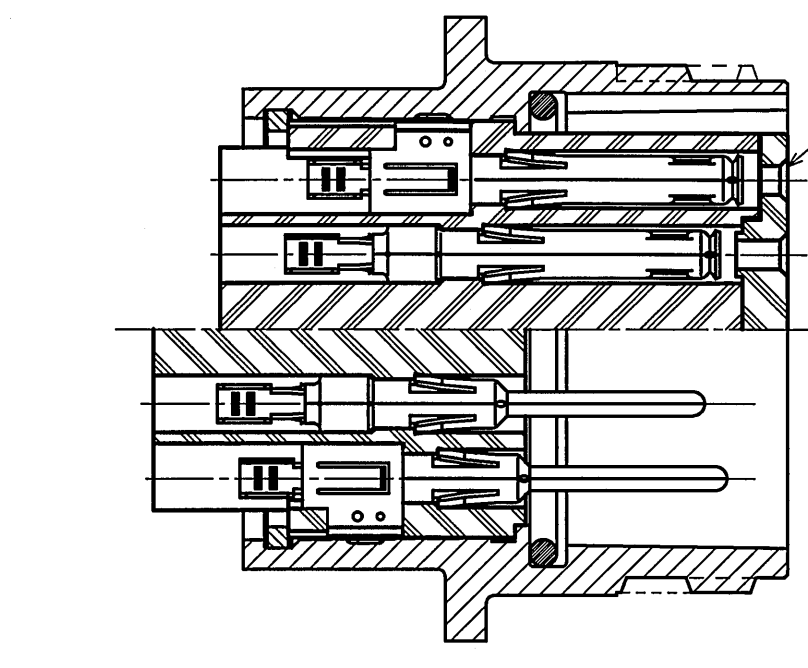
★INSERT OF #8 CONTACTS



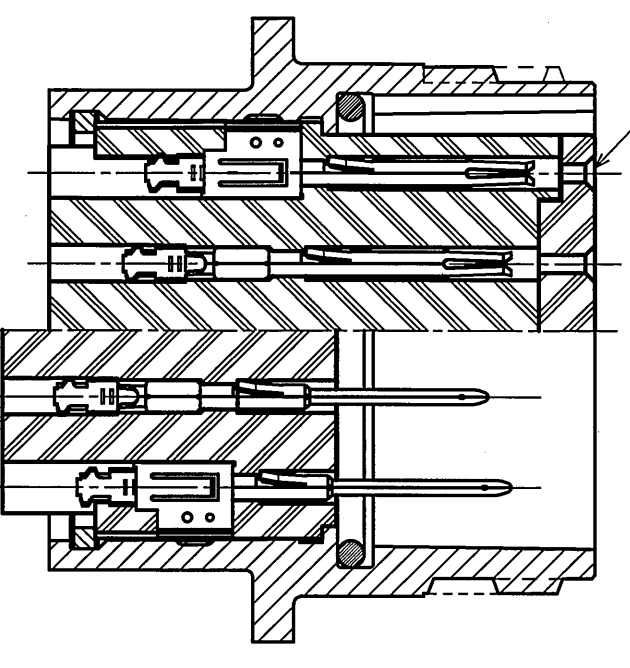
★INSERT OF #12 CONTACTS



★INSERT OF #16 CONTACTS



★INSERT OF #20 CONTACTS



DESIGNATION
命名法

JL05-2A22-14*PC*-FO-R

SERIES PREFIX
シリーズ名
2: BOX MOUNTING RECEPTACLE
2: レセプタクル
A: THE STRUCTURE OF WATERPROOF
A: 防水構造
SHELL SIZE: 18, 20, 22, 24, 28
シェルサイズ: 18, 20, 22, 24, 28
INSERT ARRANGEMENT (NOTE 2)
インサート配列名
CONTACT TYPE
PC: CRIMP TYPE OF PIN CONTACT
SC: CRIMP TYPE OF SOCKET CONTACT
P: SOLDER TYPE OF PIN CONTACT
S: SOLDER TYPE OF SOCKET CONTACT
PC: クリムピンコンタクト
SC: クリムソケットコンタクト
P: 半田用ピンコンタクト
S: 半田用ソケットコンタクト
ALTERNATE INSERT POSITIONS: W, X, Y, Z, V
STANDARD: NORMAL POSITION
インサート回転位置: W, X, Y, Z, V
無し: 標準位置
FO: LESS CONTACTS
FO: コンタクト無し
R: SUFFIX
R: 特殊記号

NOTE 1. COMPANY LOGO "JAE" & PART NUMBER ARE MARKED AS INDICATED.
"-FO" AND "-R" ARE NOT MARKED.
2. FOR INSERT ARRANGEMENT, SEE TABLE 2.
3. FOR APPLICABLE CONTACTS, SEE TABLE 3.
4. THIS MARK (⊕) INDICATES EARTH.
1. 図示の位置に"社名"及び"品名"を表示する。
但し、品名末尾の"-FO"及び"-R"は表示しない。
2. インサート配列は表2による。
3. 適合コンタクトは表3による。
4. このマーク ⊕ は保護回路接続を表す。

NO.	DESCRIPTION	QTY.	MATERIAL	FINISH	REMARKS
7	EARTH LUG	1	COPPER ALLOY	SILVER PLATING	
6	COVER INSULATOR	1	SYNTHETIC RESIN		INSULATOR FOR #16 & #20 SOCKET CONTACTS
5	CONTACT		COPPER ALLOY	SILVER PLATING	NOTE 2, 3
4	*O* RING	1	SYNTHETIC RUBBER		
3	SHELL	1	ALUMINUM ALLOY	ZINC PLATING	
2	RETAINING RING	1	COPPER ALLOY	ZINC PLATING	
1	BASE INSULATOR	1	SYNTHETIC RESIN		

符号 NO.	名称 DESCRIPTION	個数 QTY.	材料 MATERIAL	仕上 FINISH	備考 REMARKS
JA08-5071					
T90-3					
公差 (GENERAL TOLERANCE)		第1版 (ORIGINAL DATE)		尺 (SCALE)	
寸法 (DIMENSION)	角度 (ANGLES)	6.Jan.2006		1:1	
. ±0.8	×° ±	製図 DR.		シリーズ (SERIES)	
.X ±0.4	×°X ±	担当 CHK. N.SASANO		JL05	
.XX ±0.1	×°X ±	査閲 APPD. E.MATSUMOTO		名称 (TITLE)	
.XXX ±		承認 APPD. A.ONOGAWA		JL05-2A** *****-R (BOX MOUNTING RECEPTACLE)	
		質量 (MASS)		日本航空電子工業株式会社 JAE ELECTRONICS INDUSTRY, LTD.	
				図面番号 (DRAWING NO.)	
				SJ105242	