



Chipsmall Limited consists of a professional team with an average of over 10 year of expertise in the distribution of electronic components. Based in Hongkong, we have already established firm and mutual-benefit business relationships with customers from,Europe,America and south Asia,supplying obsolete and hard-to-find components to meet their specific needs.

With the principle of “Quality Parts,Customers Priority,Honest Operation,and Considerate Service”,our business mainly focus on the distribution of electronic components. Line cards we deal with include Microchip,ALPS,ROHM,Xilinx,Pulse,ON,Everlight and Freescale. Main products comprise IC,Modules,Potentiometer,IC Socket,Relay,Connector.Our parts cover such applications as commercial,industrial, and automotives areas.

We are looking forward to setting up business relationship with you and hope to provide you with the best service and solution. Let us make a better world for our industry!



## Contact us

Tel: +86-755-8981 8866 Fax: +86-755-8427 6832

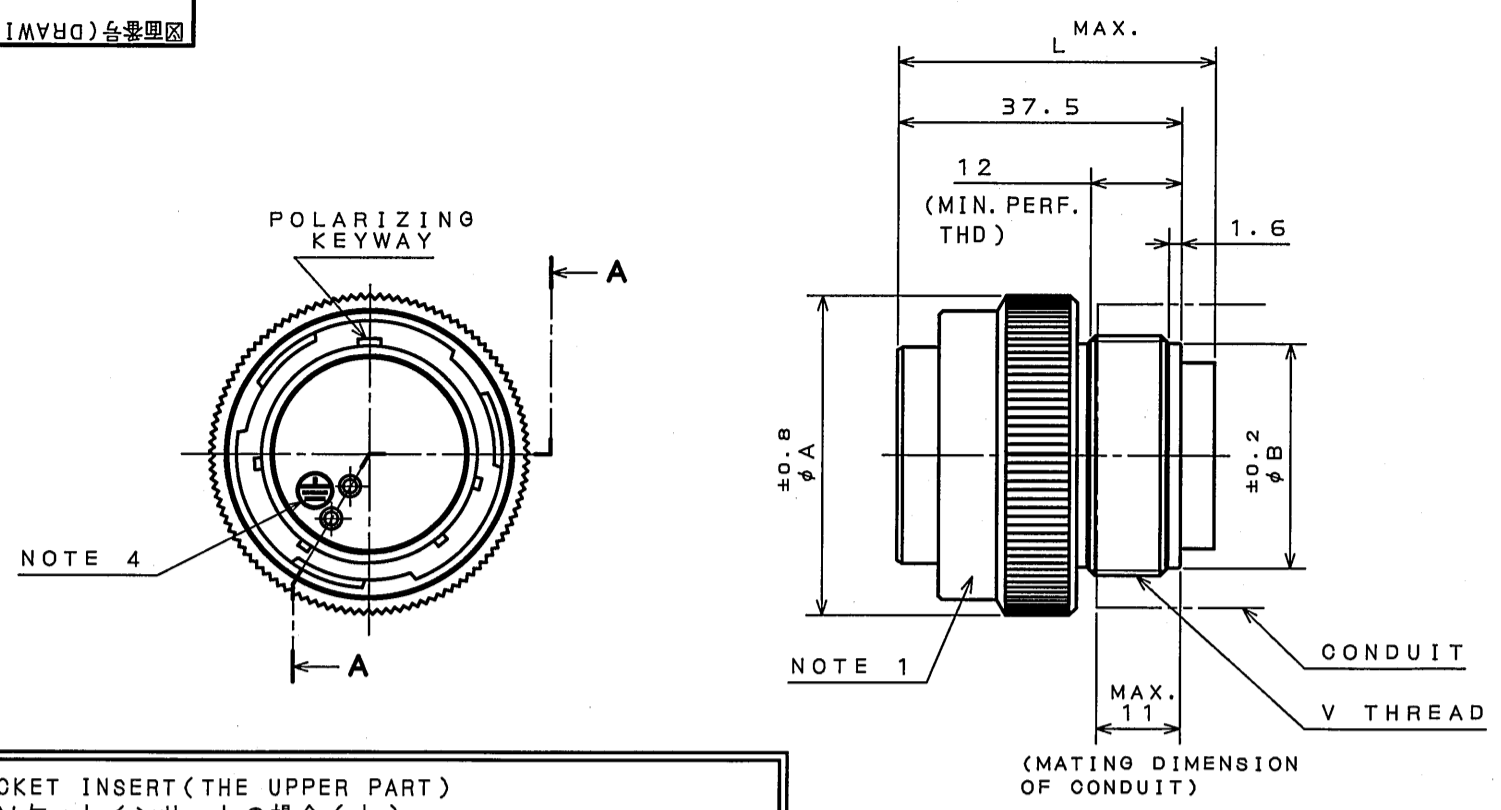
Email & Skype: info@chipsmall.com Web: www.chipsmall.com

Address: A1208, Overseas Decoration Building, #122 Zhenhua RD., Futian, Shenzhen, China





REV.	DATE	CON. NO.	DESCRIPTION	DR.	CHK.	APP.	APP.



SOCKET INSERT (THE UPPER PART)  
ソケットインサートの場合(上)      SECT. A-A  
PIN INSERT (THE LOWER PART)  
ピンインサートの場合(下)      (SCALE 2:1)

TABLE 1 【DIMENSIONS】

SHELL SIZE	φA±0.8	φB±0.2	V THREAD
18	35.9	23.5	1-20UNEF-2A
20	40.6	26.9	1 1/8-18UNEF-2A
22	42.2	29.6	1 1/4-18UNEF-2A
24	45.4	32.8	1 3/8-18UNEF-2A
28	51.7	39	1 5/8-18UNEF-2A

TABLE 2 【INSERT ARRANGEMENT】 (NOTE 2)

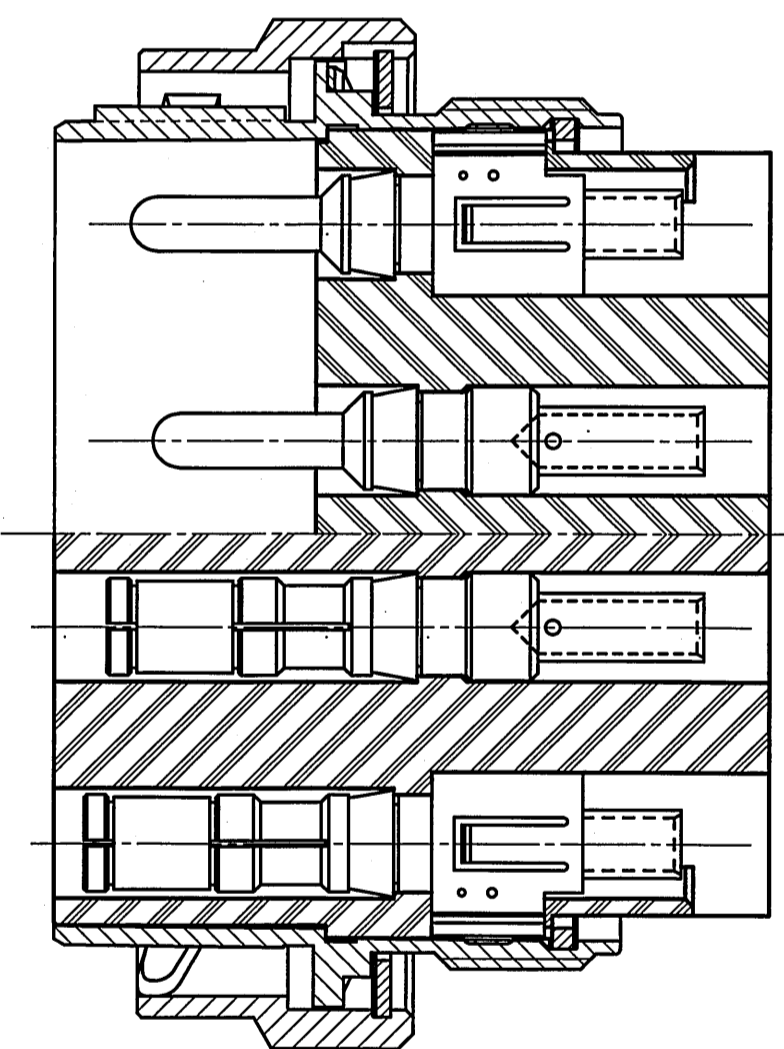
SHELL SIZE	CONTACT SIZE	# 8	# 12	# 16	# 20
18	NO. OF CONTACT	5	10	19	19
	INSERT ARRANGEMENT DWG. NO.	18-11 SJ024904	18-1 SJ025293	18-19A SJ025297	18-19A SJ025297
20	NO. OF CONTACT	7	17	30	30
	INSERT ARRANGEMENT DWG. NO.	20-15 SJ025291	20-29 SJ025294	20-30A SJ025298	20-30A SJ025298
22	NO. OF CONTACT	4	8	19	19
	INSERT ARRANGEMENT DWG. NO.	22-22 SJ024906	22-23 SJ025292	22-14 SJ024905	22-14 SJ025292
24	NO. OF CONTACT	7	24	52	52
	INSERT ARRANGEMENT DWG. NO.	24-10 SJ024907	24-28 SJ025295	24-52A SJ025299	24-52A SJ025299
28	NO. OF CONTACT	7	37	73	73
	INSERT ARRANGEMENT DWG. NO.	28-21 SJ025296	28-21 SJ025296	28-73A SJ026288	28-73A SJ026288

CONTACT SIZE	L MIN.	
	PIN INSERT	SOCKET INSERT
# 8	48	
# 12	46	43
# 16	43	38
# 20	40	37.5

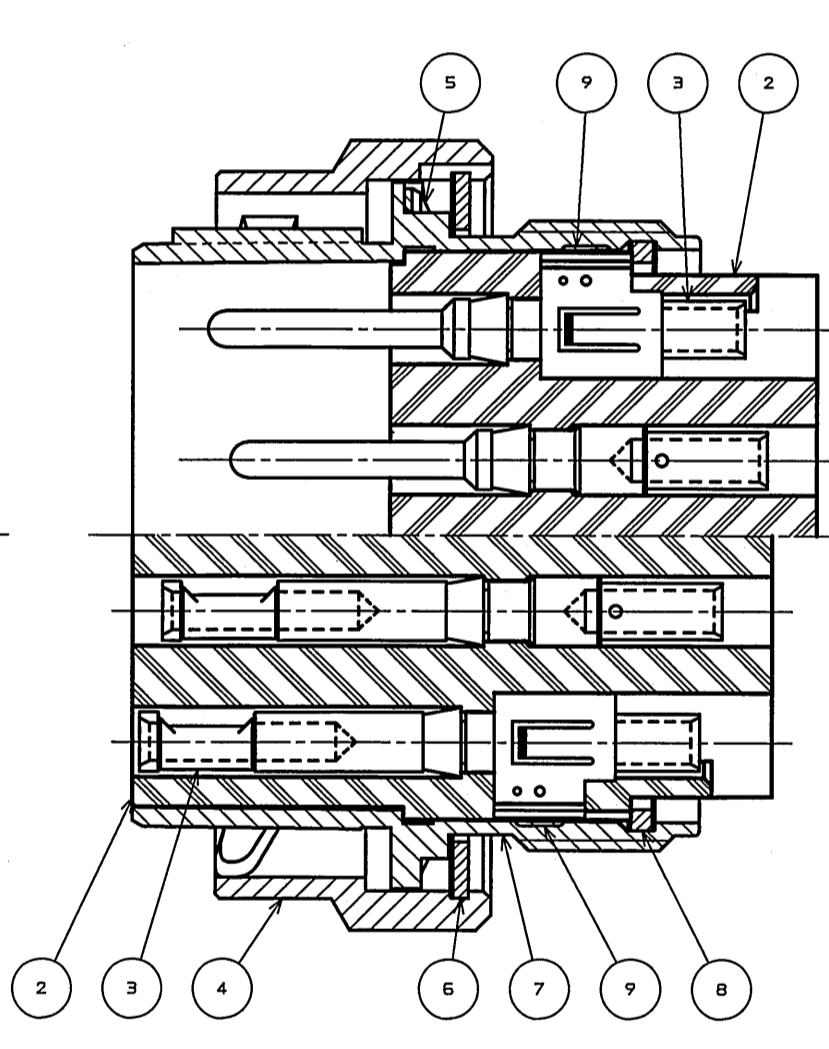
TABLE 3 【CRIMP TYPE CONTACTS】 (NOTE 3)

CONTACT SIZE	PIECE	CONTACT PART NUMBERS				TYPE	APPLICABLE WIRE
		PIN CONTACT	DWG. NO.	SOCKET CONTACT	DWG. NO.		
# 8	INDIVIDUAL	CONT-JL05-08P-C1	SJ025430	CONT-JL05-08S-C1	SJ025431	MACHINE	AWG# 8~10(8ml~5.5ml)
		CONT-JL05-08P-C2		CONT-JL05-08S-C2			AWG#10~12(5.5ml~3.5ml)
# 12	INDIVIDUAL	CONT-JL05-12P-C1	SJ025428	CONT-JL05-12S-C1	SJ025429	MACHINE	AWG#12~16(3.5ml~1.25ml)
		ST-JL05-16P-C1		ST-JL05-16S-C1			AWG#14~16(2ml~1.25ml)
# 16	INDIVIDUAL	ST-JL05-16P-C2	SJ025424	ST-JL05-16S-C2	SJ025425	STAMPE	AWG#16~20(1.25ml~0.5ml)
		ST-JL05-16P-C3		ST-JL05-16S-C3			AWG#20~24(0.5ml~0.2ml)
		ST-JL05-16P-C1-3500		ST-JL05-16S-C1-3500			AWG#14~16(2ml~1.25ml)
	REELS OF 3500	ST-JL05-16P-C2-3500	SJ025426	ST-JL05-16S-C2-3500	SJ025427	STAMPE	AWG#16~20(1.25ml~0.5ml)
		ST-JL05-16P-C3-3500		ST-JL05-16S-C3-3500			AWG#20~24(0.5ml~0.2ml)
		ST-JL05-16P-C1-10000		ST-JL05-16S-C1-10000			AWG#18~22(0.8ml~0.3ml)
# 20	INDIVIDUAL	ST-JL05-20P-C1	SJ025420	ST-JL05-20S-C1	SJ025421	STAMPE	AWG#22~26(0.3ml~0.13ml)
		ST-JL05-20P-C2		ST-JL05-20S-C2			AWG#18~22(0.8ml~0.3ml)
REELS OF 10000	INDIVIDUAL	ST-JL05-20P-C1-10000	SJ025422	ST-JL05-20S-C1-10000	SJ025423	STAMPE	AWG#18~22(0.8ml~0.3ml)
		ST-JL05-20P-C2-10000		ST-JL05-20S-C2-10000			AWG#22~26(0.3ml~0.13ml)

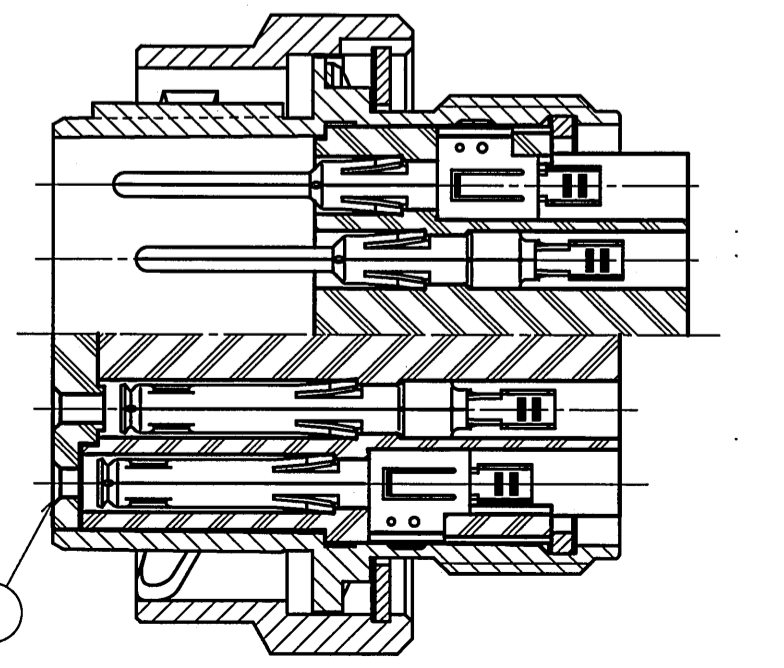
★INSERT OF #8 CONTACTS



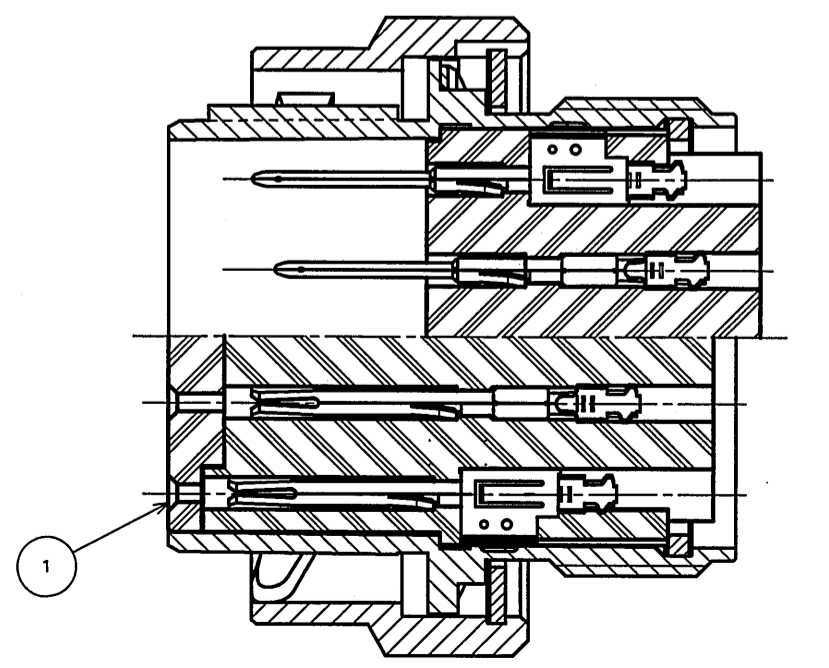
★INSERT OF #12 CONTACTS



★INSERT OF #16 CONTACTS



★INSERT OF #20 CONTACTS



DESIGNATION  
命名法

JL05-6A22-14\*PC\*-FO-R

SERIES PREFIX  
シリーズ名  
6:STRAIGHT PLUG  
6:プラグ  
A:THE STRUCTURE OF WATERPROOF  
A:防水構造

SHELL SIZE:18, 20, 22, 24, 28  
シェルサイズ:18, 20, 22, 24, 28

INSERT ARRANGEMENT(NOTE 2)  
インサート配列名

CONTACT TYPE  
PC:CRIMP TYPE OF PIN CONTACT  
SC:CRIMP TYPE OF SOCKET CONTACT  
P :SOLDER TYPE OF PIN CONTACT  
S :SOLDER TYPE OF SOCKET CONTACT  
PC :クリンプピンコンタクト  
SC :クリンプソケットコンタクト  
P :半田用ピンコンタクト  
S :半田用ソケットコンタクト

ALTERNATE INSERT POSITIONS:W, X, Y, Z, V  
STANDARD:NORMAL POSITION  
インサート回転位置:W, X, Y, Z, V  
無し:標準位置

FO:LESS CONTACTS  
FO:コンタクト無し  
R:SUFFIX  
R:特殊記号

NOTE 1. COMPANY LOGO "JAE" & PART NUMBER ARE MARKED AS INDICATED.  
"-FO" AND "-R" ARE NOT MARKED.  
2. FOR INSERT ARRANGEMENT, SEE TABLE 2.  
3. FOR APPLICABLE CONTACTS, SEE TABLE 3.  
4. THIS MARK(⊕) INDICATES EARTH.

1. 図示の位置に"社名"及び"品名"を表示する。  
但し、品名末尾の"-FO"及び"-R"は表示しない。  
2. インサート配列は表2による。  
3. 適合コンタクトは表3による。  
4. このマーク ⊕ は保護回路接続を表す。

QTY.	DESCRIPTION	MATERIAL	FINISH	REMARKS
9	EARTH LUG	COPPER ALLOY	SILVER PLATING	
8	RETAINING RING	COPPER ALLOY	ZINC PLATING	
7	BARREL	ALUMINUM ALLOY	ZINC PLATING	
6	C-TYPE RING	STAINLESS STEEL		
5	WAVE SPRING	STAINLESS STEEL		
4	COUPLING NUT	ALUMINUM ALLOY	ZINC PLATING	
3	CONTACT	COPPER ALLOY	SILVER PLATING	NOTE 2,3
2	BASE INSULATOR	SYNTHETIC RESIN		
1	COVER INSULATOR	SYNTHETIC RESIN		INSULATOR FOR #16 & #20 SOCKET CONTACTS

NO.	DESCRIPTION	QTY.	MATERIAL	FINISH	REMARKS

仕様書(SPECIFICATION)      第1版(ORIGINAL DATE)      尺(SCALE)      シリーズ(SERIES)

JACS-5071      6,Jan,2006      1:1      JL05

製造 DR.      担当 CHK.      承認 APPD.      承認 APPD.

       N.SASANO      E.Matsumoto      A.Omegawa

公差(GENERAL TOLERANCE)  
寸法(DIMENSION)      角度(ANGLES)

・ ±0.8      ° ±      °X ±      °X' ±

・ X ±0.4      °X ±      °X' ±

・ XX ±0.1      °X ±      °X' ±

・ XXX ±      °X ±      °X' ±

名称(TITLE)  
JL05-6A\*\*  
\*\*\*\*\*-R  
(STRAIGHT PLUG)

質量(MASS)      日本航空電子工業株式会社  
JAPAN AVIATION ELECTRONICS INDUSTRY, LTD.  
図面番号(DRAWING NO.)      版数(REV.)

SJ105243      1