



Chipsmall Limited consists of a professional team with an average of over 10 year of expertise in the distribution of electronic components. Based in Hongkong, we have already established firm and mutual-benefit business relationships with customers from,Europe,America and south Asia,supplying obsolete and hard-to-find components to meet their specific needs.

With the principle of "Quality Parts,Customers Priority,Honest Operation,and Considerate Service",our business mainly focus on the distribution of electronic components. Line cards we deal with include Microchip,ALPS,ROHM,Xilinx,Pulse,ON,Everlight and Freescale. Main products comprise IC,Modules,Potentiometer,IC Socket,Relay,Connector.Our parts cover such applications as commercial,industrial, and automotives areas.

We are looking forward to setting up business relationship with you and hope to provide you with the best service and solution. Let us make a better world for our industry!



## Contact us

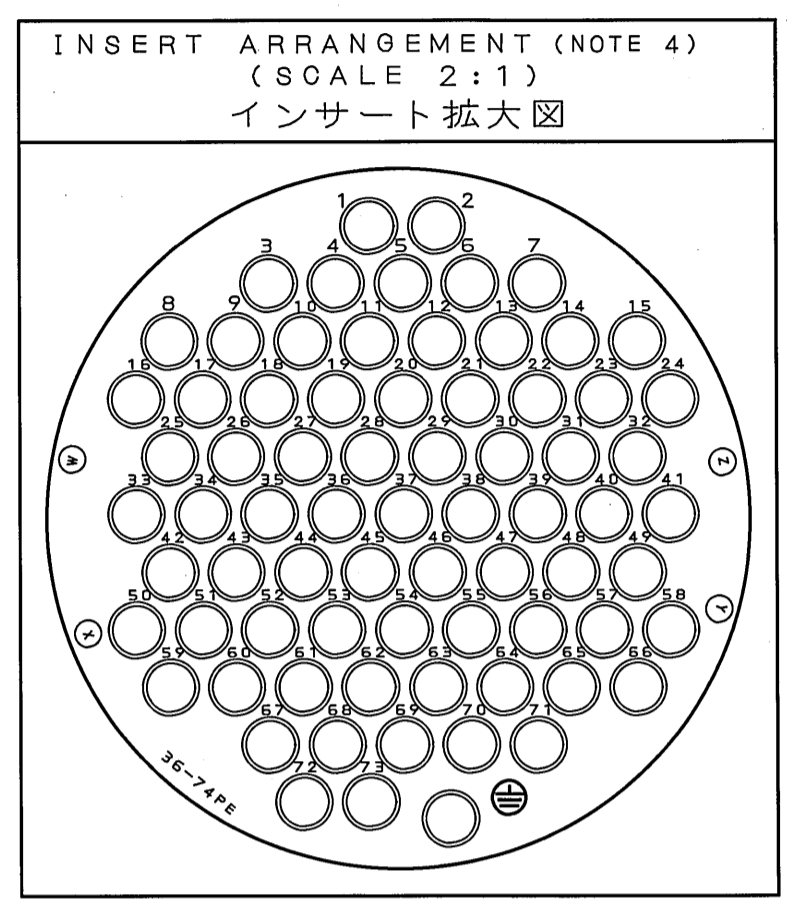
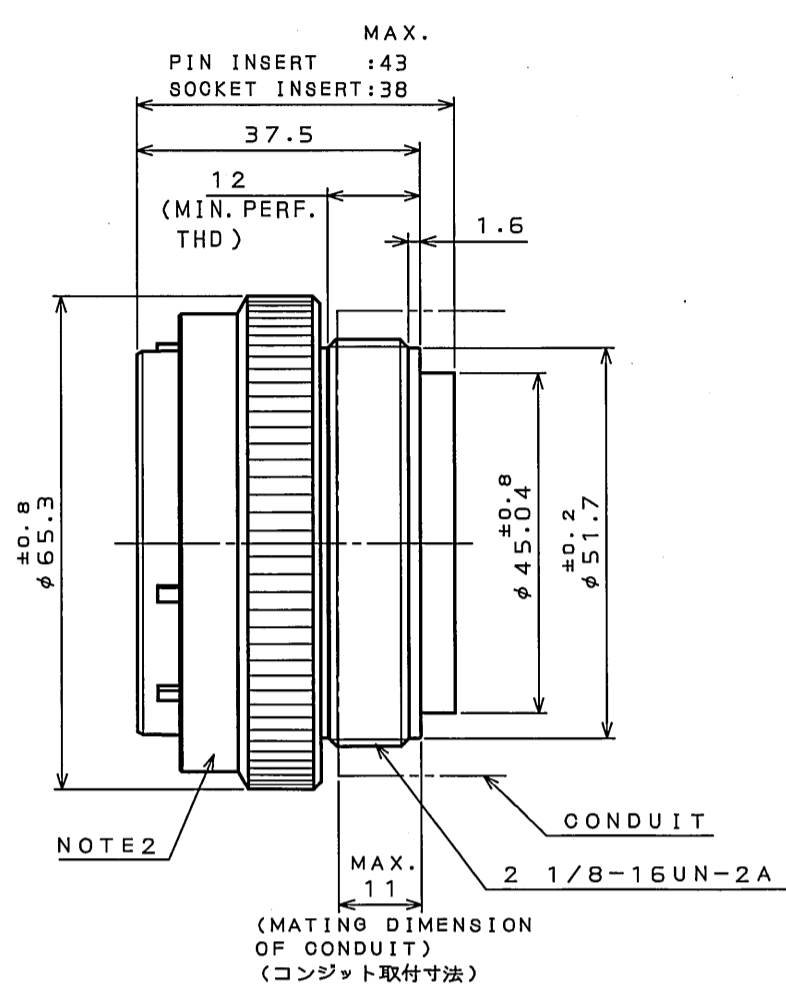
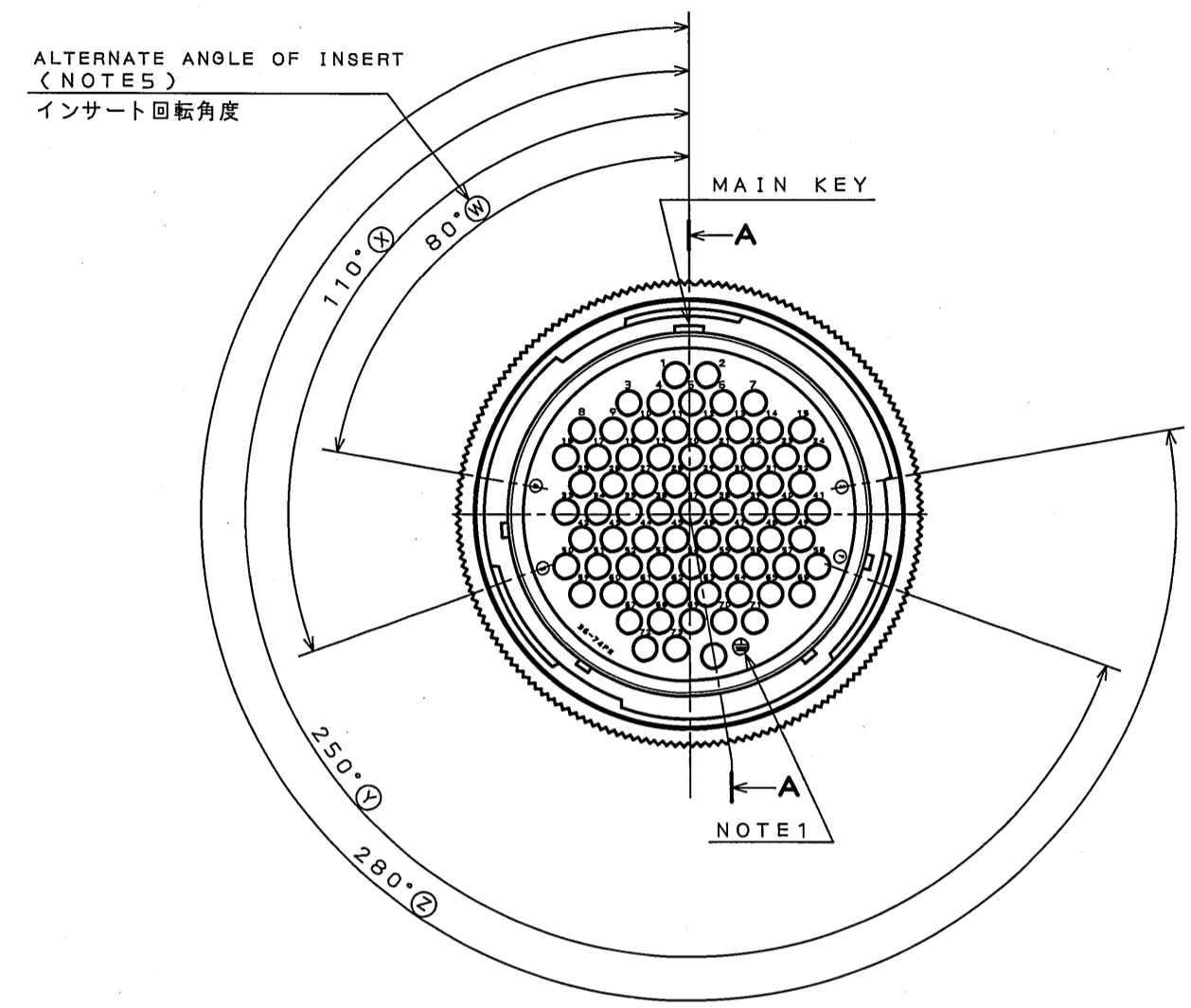
Tel: +86-755-8981 8866 Fax: +86-755-8427 6832

Email & Skype: info@chipsmall.com Web: www.chipsmall.com

Address: A1208, Overseas Decoration Building, #122 Zhenhua RD., Futian, Shenzhen, China



版数 REV.	年月日 DATE	DCN NO.	変更内容 DESCRIPTION	製図 DR.	担当 CHK.	査閲 APPD.	承認 APPD.



**DESIGNATION**  
命名法  
JL05-6A36-74\* C\*-FO-R

SERIES PREFIX  
シリーズ名  
6: STRIGHT PLUG  
6: プラグ

A: THE STRUCTURE OF WATERPROOF  
A: 防水構造

SHELL SIZE  
シェルサイズ

INSERT ARRANGEMENT  
インサート配列名

CONTACT TYPE  
PC: CRIMP TYPE OF PIN CONTACT  
SC: CRIMP TYPE OF SOCKET CONTACT  
P: SOLDER TYPE OF PIN CONTACT  
S: SOLDER TYPE OF SOCKET CONTACT

PC: クリムピンコンタクト  
SC: クリムソケットコンタクト  
P: 半田用ピンコンタクト  
S: 半田用ソケットコンタクト

NONE: NORMAL POSITION  
ALTERNATE INSERT POSITIONS: W, X, Y, Z  
無し: 標準位置  
インサート回転位置: W, X, Y, Z

FO: LESS CONTACTS (NOTES)  
FO: コンタクト無し(別売り)

R: SUFFIX  
R: 特殊記号

PIN INSERT (THE UPPER PART)  
ピンインサートの場合(上)      SECT. A-A

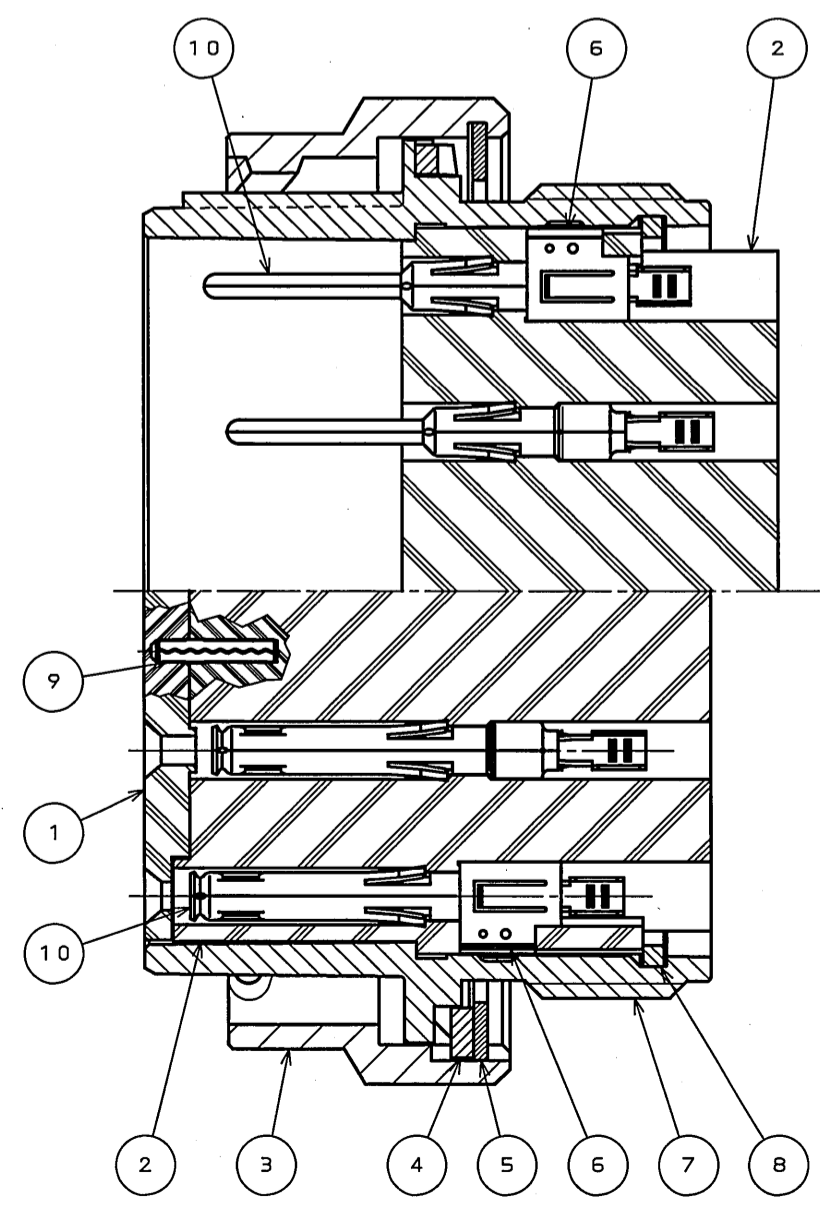
SOCKET INSERT (THE LOWER PART)  
ソケットインサートの場合(下)      (SCALE 2:1)

**SPECIFICATION**

NUMBER OF CONTACT : 74x#16  
DIELECTRIC WITHSTANDING VOLTAGE: 2000VAC  
INSULATION RESISTANCE: 5000MΩ MIN. (AT 500VDC)  
APPLICABLE WIRE : SEE NOTES 3

**TABLE 1 【CRIMP TYPE CONTACTS】 (NOTE 3)**

CONTACT SIZE	PIECE	CONTACT PART NUMBERS				TYPE	APPLICABLE WIRE
		PIN CONTACT	DWN. NO.	SOCKET CONTACT	DWN. NO.		
#16	INDIVIDUAL OF 100	ST-JL05-16P-01-100		ST-JL05-16S-01-100		STAMP	#14-#16 (2-1.25)
		ST-JL05-16P-02-100	SJ025424	ST-JL05-16S-02-100	SJ025425	STAMP	#16-#20 (1.25-0.5)
		ST-JL05-16P-03-100		ST-JL05-16S-03-100		STAMP	#20-#24 (0.5-0.2)
	REELS OF 3500	ST-JL05-16P-01-3500		ST-JL05-16S-01-3500		STAMP	#14-#16 (2-1.25)
		ST-JL05-16P-02-3500	SJ025426	ST-JL05-16S-02-3500	SJ025427	STAMP	#16-#20 (1.25-0.5)
		ST-JL05-16P-03-3500		ST-JL05-16S-03-3500		STAMP	#20-#24 (0.5-0.2)



**仕様**

コンタクト: #16コンタクト 74本  
耐電圧: 2000VAC 1分間  
絶縁抵抗: 5000MΩ以上 (500VDCにて)  
適用電線: 注3参照

NOTE 1. THIS MARK (⊕) INDICATES EARTH.  
NOTE 2. COMPANY LOGO "JAE" & PART NUMBER ARE MARKED AS INDICATED. HOWEVER, "-FO-R" SHALL NOT BE MARKED.  
NOTE 3. FOR APPLICABLE CONTACTS, SEE TABLE 1.  
NOTE 4. THIS DRAWING SHOWS PIN ENGAGING FACE.  
NOTE 5. IN THE CASE OF SOCKET ENGAGING FACE, THEIR ARRANGEMENT, POSITIONS OF LETTERS AND ALTERNATE ANGLES ARE REVERS

- 注1. このマーク ⊕ は保護回路接続を表す。  
2. 図示の位置に社名及び品名を表示する。但し、品名末尾の“-FO-R”は表示しない。  
3. 適合コンタクトは表1による。  
4. 正面図はピン側の表面より見たものである。  
5. 正面図がソケットの場合には文字及び配列が左右逆になり、インサート回転角度も逆回りとなる。

NO.	DESCRIPTION	個数 QTY.	材料 MATERIAL	仕上 FINISH	備考 REMARKS
10	CONTACT #16	74	COPPER ALLOY	SILVER PLATING	NOTE 3
9	SPRING PIN	2	STAINLESS STEEL		
8	RETAINING RING	1	COPPER ALLOY	ZINC PLATING	BLACK SYSTEM INTERFERENCE COLOR
7	BARREL	1	ALUMINUM ALLOY	ZINC PLATING	BLACK SYSTEM INTERFERENCE COLOR
6	EARTH LUG	1	COPPER ALLOY	SILVER PLATING	
5	RING	1	STAINLESS STEEL		
4	WAVE SPRING	1	STAINLESS STEEL		
3	COUPLING NUT	1	ALUMINUM ALLOY	ZINC PLATING	BLACK SYSTEM INTERFERENCE COLOR
2	BASE INSULATOR	1	SYNTHETIC RESIN		
1	COVER INSULATOR	1	SYNTHETIC RESIN		

仕様書(SPECIFICATION) T90-3	第1版(ORIGINAL DATE) 4.Sep.2006	尺(SCALE) 1:1	シリーズ(SERIES) JL05	日本航空電子工業株式会社 JAPAN AVIATION ELECTRONICS INDUSTRY, LTD.
公差(GENERAL TOLERANCE) 寸法(DIMENSION) 角度(ANGLES)	製図 DR.	名称(TITLE) JL05-6A36 -74* C*-FO-R (PLUG)	図面番号(DRAWING NO.) SJ105258	版数 (REV.) 1
.x ±0.8 .XX ±0.1 .XXX ±	担当 CHK. E. Matsumoto 査閲 APPD. A. Onogawa	N.SASANO		