



Chipsmall Limited consists of a professional team with an average of over 10 year of expertise in the distribution of electronic components. Based in Hongkong, we have already established firm and mutual-benefit business relationships with customers from,Europe,America and south Asia,supplying obsolete and hard-to-find components to meet their specific needs.

With the principle of "Quality Parts,Customers Priority,Honest Operation,and Considerate Service",our business mainly focus on the distribution of electronic components. Line cards we deal with include Microchip,ALPS,ROHM,Xilinx,Pulse,ON,Everlight and Freescale. Main products comprise IC,Modules,Potentiometer,IC Socket,Relay,Connector.Our parts cover such applications as commercial,industrial, and automotives areas.

We are looking forward to setting up business relationship with you and hope to provide you with the best service and solution. Let us make a better world for our industry!



Contact us

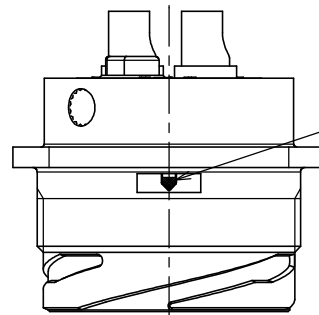
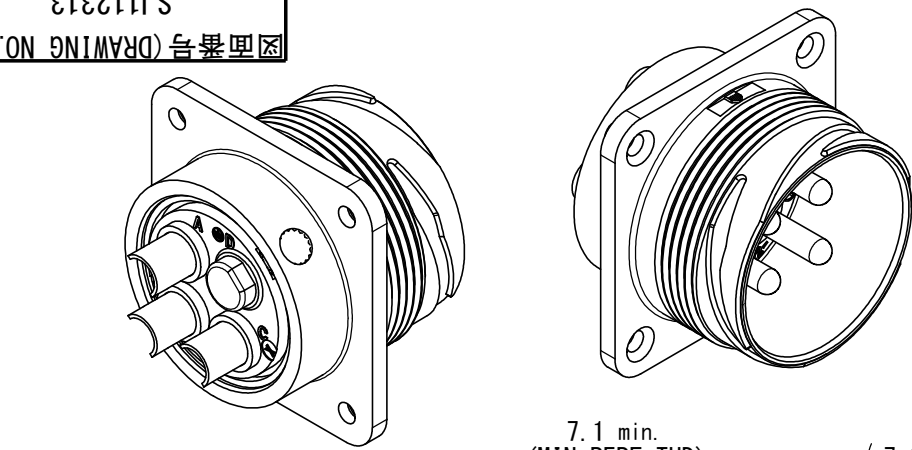
Tel: +86-755-8981 8866 Fax: +86-755-8427 6832

Email & Skype: info@chipsmall.com Web: www.chipsmall.com

Address: A1208, Overseas Decoration Building, #122 Zhenhua RD., Futian, Shenzhen, China



版数 VER.	年月日 DATE	CN NO.	変更内容 DESCRIPTION	製図 DR.	担当 CHK.	査閲 APPD.	承認 APPD.
2	18/DEC/2015	015614	CHANGE A PLACE OF LOT NUMBER ロット番号表示位置変更	—	H. NAKAJIMA	—	H. EBIHARA



WHITE MARKING AS INDICATED
白マーキング表示

DESIGNATION

命名法

J L 1 0 2 E 2 2 - 2 2 P E ※

SERIES

シリーズ名

RECEPTACLE

レセプタクル

E: WATER PROOF (UNMATED)

E: 単体防水構造

SHELL SIZE

シェルサイズ

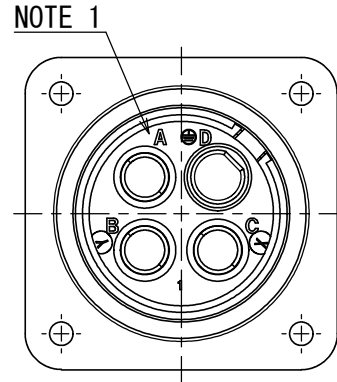
INSERT ARRANGEMENT

インサート名

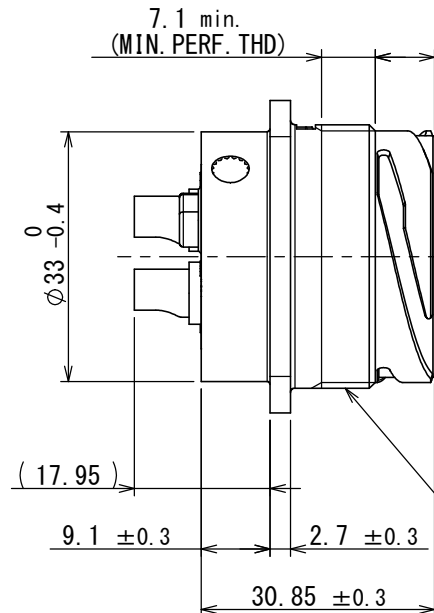
INSERT ROTATING POSIRION
インサート回転角度
NONE: NORMAL POSITION
無し: ノーマルポジション

WITH PROTECTIVE EARTH CONTACT
保護回路構造有

PIN CONTACT
ピンコンタクト



NOTE 1



7.1 min.
(MIN. PERF. THD)

(7.85)

NOTE 1

NOTE 2

□41.3 ±0.79

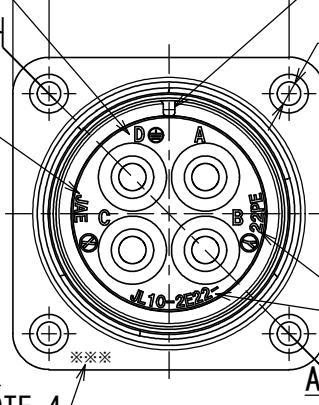
□31.75 ±0.13

POLARIZING KEY

4-φ3.1^{+0.2}_{-0.1}

NOTE 4

1 3/8-18UNEF-2A



NOTE 3

- NOTE 1. CONTACT POSITION NUMBER APPEARS IN THE AREA SHOWN.
EARTH MARK (⊕) IS MARKED NEAR BY CONTACT No. "D".
2. COMPANY LOGO "JAE" APPEARS IN THE AREA SHOWN.
3. PART NUMBER "JL10-2E22-22PE" IS MARKED IN THE AREA SHOWN.
4. PRODUCTION LOT NUMBER ARE MARKED AS INDICATED.

※※※

MANUFACTURING MONTH
(1 ~ 9 : X, Y, Z)
(JAN. ~ SEP. : OCT., NOV., DEC.)

MANUFACTURING YEAR ('13, '14...)

- 注1. 図示の位置に端子番号を表示する。又、保護回路接続(D端子)は⊕で表す。
2. 図示の位置に社名【JAE】を表示する。
3. 図示の位置に品名【JL10-2E22-22PE】を表示する。
4. 図示の位置に製造ロットNo.を表示する。

※※※

製造月(1~9月:1~9,10月:X,11月:Y,12月:Z)

製造年('13,'14...)

特別管理品目
SPECIAL CONTROL ITEM
TUV

SPECIFICATION

NUMBER OF CONTACT: 4 × #8
RATED VOLTAGE: 500VAC POLLUTION DEGREE: 2
OVER VOLTAGE CATEGORY: II
: 250VAC POLLUTION DEGREE: 3
OVER VOLTAGE CATEGORY: III
RATED CURRENT: 46A MAX. per CONTACT
: 57A MAX. per CONTACT (8~10mm²)

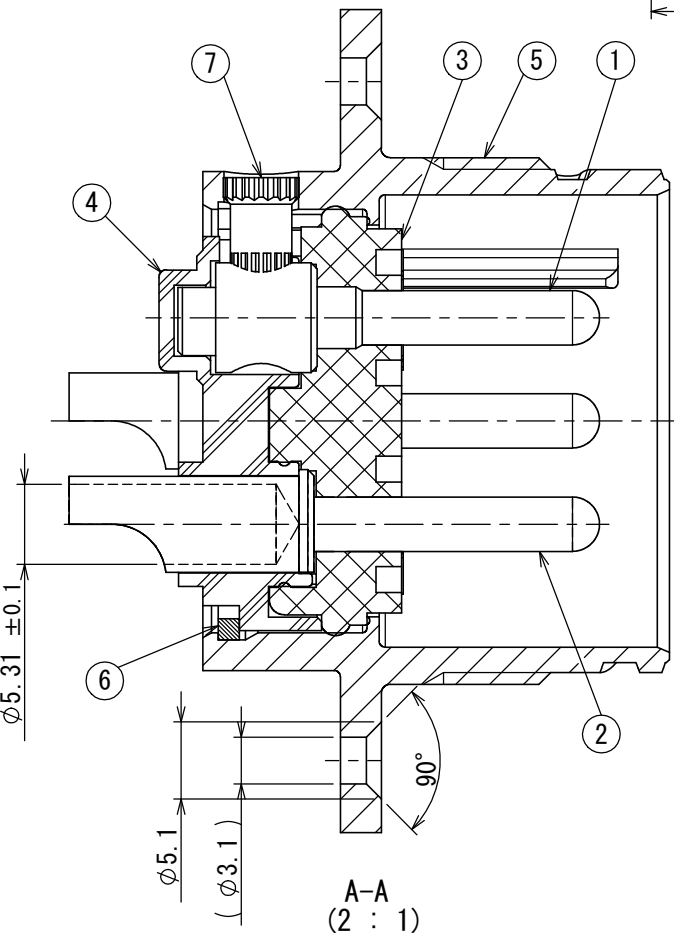
DIELECTRIC
WITHSTANDING VOLTAGE : 2000VAC
INSULATION RESISTANCE: 1000MΩ MIN. (at 500VDC)
APPLICABLE WIRE SIZE : 10mm² MAX.
AIR LEAKAGE : NO LEAKAGE OF AIR
AT 2.9 × 10⁴ Pa APPLIED TO
MATING SIDE FOR 1MIN.

仕様

コンタクト : #8コンタクト 4本
定格電圧 : 500VAC (汚染度:2/過電圧範疇:II)
: 250VAC (汚染度:3/過電圧範疇:III)
定格電流 : 46A以下/1芯
: 57A以下/1芯 (適用電線:8~10mm²)
耐電圧 : 2000VAC
絶縁抵抗 : 1000MΩ以上 (DC500Vにて)
適用電線 : 10mm²以下
気密性 : 2.9 × 10⁴ Paの圧力にて漏れなきこと。
(1分間、嵌合面より)

7	EARTH PIN	1	COPPER ALLOY	NICKEL PLATING	
6	RETAINING RING	1	COPPER ALLOY	ZINC PLATING	COLOR: BLACK SYSTEM INTERFERENCE COLOR
5	SHELL	1	ALUMINUM ALLOY	ZINC PLATING	COLOR: BLACK SYSTEM INTERFERENCE COLOR
4	REAR INSULATOR	1	SYNTHETIC RESIN	—	COLOR: BLACK
3	FRONT INSULATOR	1	SILICONE RUBBER	—	COLOR: BLACK
2	CONTACT (LINE)	3	COPPER ALLOY	SILVER PLATING	
1	CONTACT (EARTH)	1	COPPER ALLOY	SILVER PLATING	

仕様書 (SPECIFICATION) JACS-50101		第1版 (ORIGINAL DATE) 18/FEB/2013		尺度 (SCALE) 1:1		シリーズ (SERIES) JL10		日本航空電子工業株式会社	
一般公差 (GENERAL TOLERANCE)		製図 DR.		名称 (TITLE) JL10-2E22-22PE		質量 (MASS)		JAPAN AVIATION ELECTRONICS INDUSTRY, LTD.	
寸法 (DIMENSION)		担当 CHK. H. EBIHARA		査閲 APPD.		承認 APPD. E. MATSUMOTO		図面番号 (DRAWING NO.) SJ112313	
角度 (ANGLES)		査閲 APPD.		承認 APPD.		質量 (MASS)		版数 (VER.) 2	
単位 (UNIT) : mm		承認 APPD.		承認 APPD.		質量 (MASS)		図面番号 (DRAWING NO.) SJ112313	



A-A
(2:1)

