



Chipsmall Limited consists of a professional team with an average of over 10 year of expertise in the distribution of electronic components. Based in Hongkong, we have already established firm and mutual-benefit business relationships with customers from,Europe,America and south Asia,supplying obsolete and hard-to-find components to meet their specific needs.

With the principle of "Quality Parts,Customers Priority,Honest Operation,and Considerate Service",our business mainly focus on the distribution of electronic components. Line cards we deal with include Microchip,ALPS,ROHM,Xilinx,Pulse,ON,Everlight and Freescale. Main products comprise IC,Modules,Potentiometer,IC Socket,Relay,Connector.Our parts cover such applications as commercial,industrial, and automotives areas.

We are looking forward to setting up business relationship with you and hope to provide you with the best service and solution. Let us make a better world for our industry!



Contact us

Tel: +86-755-8981 8866 Fax: +86-755-8427 6832

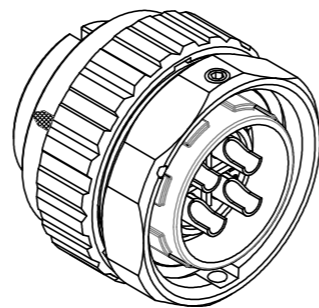
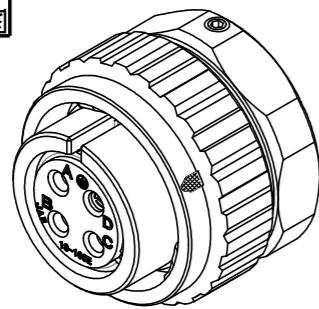
Email & Skype: info@chipsmall.com Web: www.chipsmall.com

Address: A1208, Overseas Decoration Building, #122 Zhenhua RD., Futian, Shenzhen, China



SJ112323
(ON DRAWING) (台異図)

版数 VER.	年月日 DATE	CN NO.	変更内容 DESCRIPTION	製図 DR.	担当 CHK.	査問 APPD.	承認 APPD.
------------	-------------	--------	---------------------	-----------	------------	-------------	-------------



DESIGNATION

命名法 JL10 6A18-10SE ※

SERIES
シリーズ名
PLUG (STRAIGHT)
プラグ(ストレート)

WATER-PROOF IN MATING PART
(MATED)
嵌合時嵌合防水構造

SHELL SIZE
シェルサイズ
INSERT ARRANGEMENT
インサート名

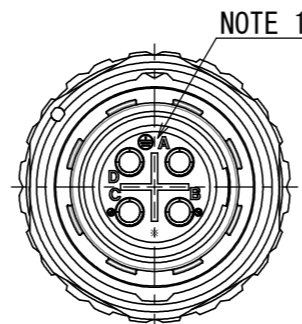
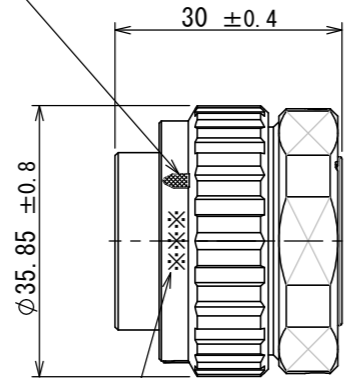
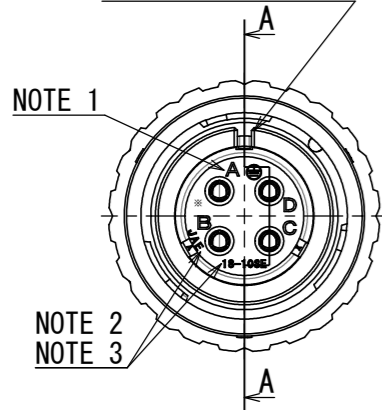
INSERT ROTATING POSIRION
インサート回転角度
NONE: NORMAL POSITION
無し: ノーマルポジション

WITH PROTECTIVE EARTH CONTACT
保護回路構造有

SOCKET CONTACT
ソケットコンタクト

POLARIZING GROOVE
位置決めキー溝

WHITE MARKING AS INDICATED (3 PARTS)
白マーキング表示 (3箇所)

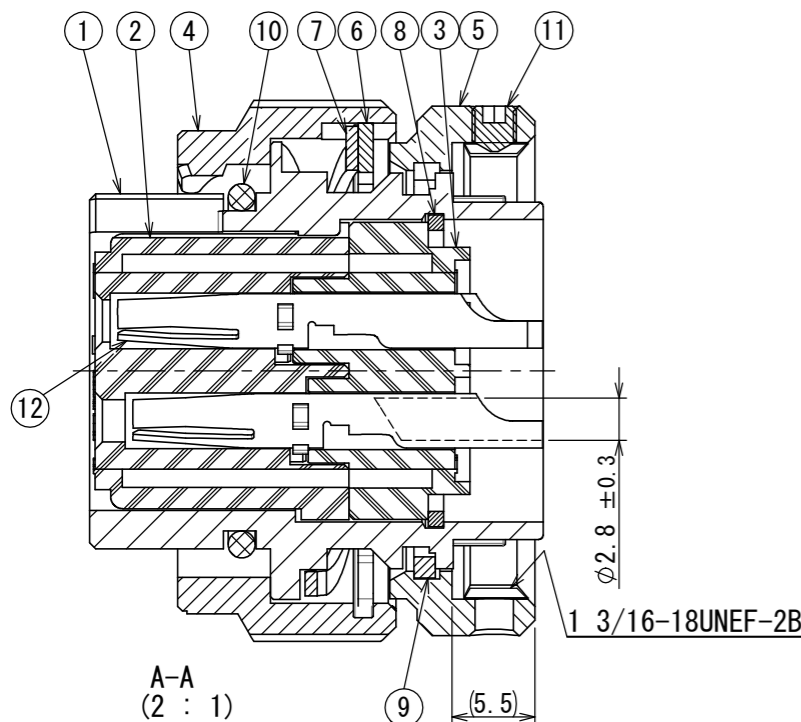


- NOTE 1. CONTACT POSITION NUMBER APPEARS IN THE AREA SHOWN.
EARTH MARK (⊕) IS MARKED NEAR BY CONTACT No. "D".
2. COMPANY LOGO "JAE" APPEARS IN THE AREA SHOWN.
3. INSERT ARRANGEMENT NUMBER "18-10SE" IS MARKED IN THE AREA SHOWN.
4. PRODUCTION LOT NUMBER ARE MARKED AS INDICATED.

※※※
MANUFACTURING MONTH
(1 ~ 9 : X ; Y : Z)
(JAN. ~ SEP. ; OCT. ; NOV. ; DEC.)
MANUFACTURING YEAR ('13. '14...)

- 注1. 図示の位置に端子番号を表示する。又、保護回路接続(D端子)は⊕で表す。
2. 図示の位置に社名【JAE】を表示する。
3. 図示の位置にインサート名【18-10SE】を表示する。
4. 図示の位置に製造ロットNo.を表示する。

※※※
製造月(1~9月:1~9, 10月:X, 11月:Y, 12月:Z)
製造年('13, '14...)



SPECIFICATION

NUMBER OF CONTACT: 4 × #12
RATED VOLTAGE: 500VAC POLLUTION DEGREE: 2
OVER VOLTAGE CATEGORY: II
: 250VAC POLLUTION DEGREE: 3
OVER VOLTAGE CATEGORY: III
RATED CURRENT: 23A MAX. per CONTACT
DIELECTRIC
WITHSTANDING VOLTAGE : 2000VAC
INSULATION RESISTANCE: 1000MΩ MIN. (at 500VDC)
APPLICABLE WIRE SIZE : 3.5mm² MAX.

仕様

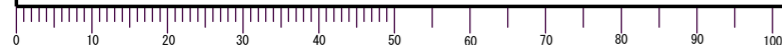
コンタクト : #12コンタクト 4本
定格電圧 : 500VAC (汚染度:2/過電圧範疇:II)
: 250VAC (汚染度:3/過電圧範疇:III)
定格電流 : 23A以下/1芯
耐電圧 : 2000VAC
絶縁抵抗 : 1000MΩ以上 (DC500Vにて)
適用電線 : 3.5mm²以下

特別管理品目
SPECIAL CONTROL ITEM
TUV

12	CONTACT	4	COPPER ALLOY	SILVER PLATING	
11	SET SCREW	1	STEEL	ZINC PLATING	COLOR: BLACK SYSTEM INTERFERENCE COLOR
10	O-RING	1	SYNTHETIC RUBBER	—	
9	RETAINING RING	1	COPPER ALLOY	ZINC PLATING	COLOR: BLACK SYSTEM INTERFERENCE COLOR
8	RETAINING RING	1	COPPER ALLOY	ZINC PLATING	COLOR: BLACK SYSTEM INTERFERENCE COLOR
7	WAVE SPRING	1	STAINLESS STEEL	—	
6	C-TYPE RING	1	STAINLESS STEEL	—	
5	ASSEMBLY NUT	1	ALUMINUM ALLOY	ZINC PLATING	COLOR: BLACK SYSTEM INTERFERENCE COLOR
4	COUPLING NUT	1	ALUMINUM ALLOY	ZINC PLATING	COLOR: BLACK SYSTEM INTERFERENCE COLOR
3	REAR INSULATOR	1	SYNTHETIC RESIN	—	COLOR: BLACK
2	FRONT INSULATOR	1	SYNTHETIC RESIN	—	COLOR: BLACK
1	BARREL	1	ALUMINUM ALLOY	ZINC PLATING	COLOR: BLACK SYSTEM INTERFERENCE COLOR
符号 NO.	名称 DESCRIPTION	個数 QTY.	材料 MATERIAL	仕上 FINISH	備考 REMARKS

仕様書 (SPECIFICATION) JACS-50101	第1版 (ORIGINAL DATE) 19/FEB/2013	尺度 (SCALE) 1:1	シリーズ (SERIES) JL10	日本航空電子工業株式会社
一般公差 (GENERAL TOLERANCE)	製図 DR.	名称 (TITLE) JL10-6A18-10SE	JAPAN AVIATION ELECTRONICS INDUSTRY, LTD.	
寸法 (DIMENSION)	担当 CHK. H. EBIHARA	質量 (MASS)	図面番号 (DRAWING NO.) SJ112323	
角度 (ANGLES)	査問 APPD.		版数 (VER.) 1	
単位 (UNIT) : mm	承認 APPD. E. MATSUMOTO			

DCF-C-212H(12.08)



S/W

WISDOM承認 2013/02/19