



Chipsmall Limited consists of a professional team with an average of over 10 year of expertise in the distribution of electronic components. Based in Hongkong, we have already established firm and mutual-benefit business relationships with customers from,Europe,America and south Asia,supplying obsolete and hard-to-find components to meet their specific needs.

With the principle of “Quality Parts,Customers Priority,Honest Operation,and Considerate Service”,our business mainly focus on the distribution of electronic components. Line cards we deal with include Microchip,ALPS,ROHM,Xilinx,Pulse,ON,Everlight and Freescale. Main products comprise IC,Modules,Potentiometer,IC Socket,Relay,Connector.Our parts cover such applications as commercial,industrial, and automotives areas.

We are looking forward to setting up business relationship with you and hope to provide you with the best service and solution. Let us make a better world for our industry!



Contact us

Tel: +86-755-8981 8866 Fax: +86-755-8427 6832

Email & Skype: info@chipsmall.com Web: www.chipsmall.com

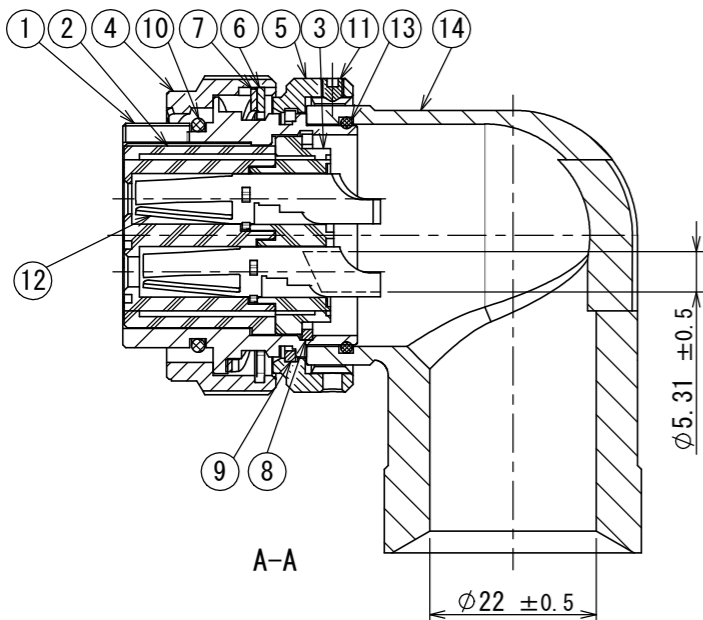
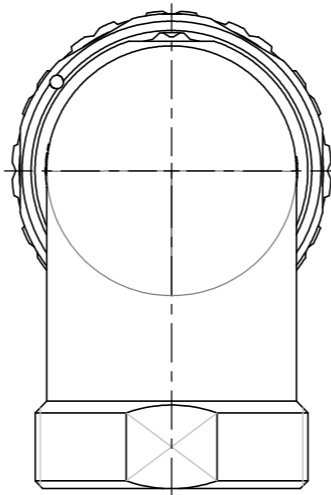
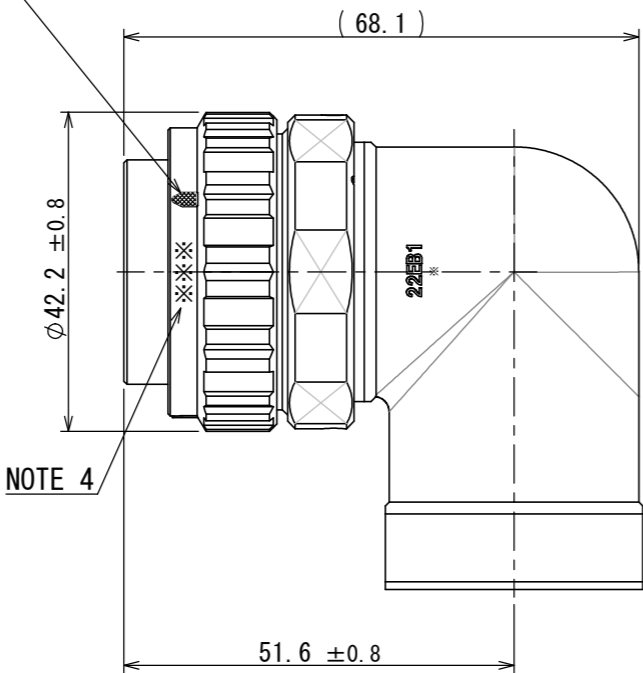
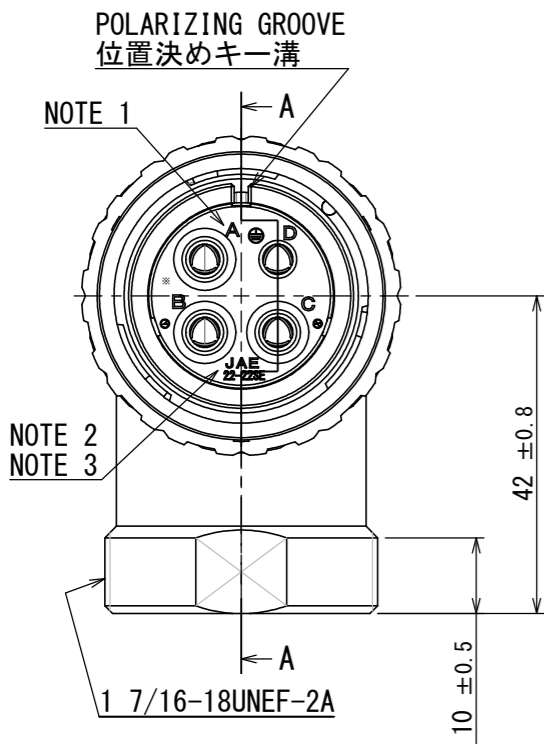
Address: A1208, Overseas Decoration Building, #122 Zhenhua RD., Futian, Shenzhen, China



81Z11CS
(ON DRAWING) 台異図

版数 VER.	年月日 DATE	CN NO.	変更内容 DESCRIPTION	製図 DR.	担当 CHK.	査閲 APPD.	承認 APPD.
------------	-------------	--------	---------------------	-----------	------------	-------------	-------------

WHITE MARKING AS INDICATED (3 PARTS)
白マーキング表示 (3箇所)



SPECIFICATION

NUMBER OF CONTACT: 4 × #8
 RATED VOLTAGE: 500VAC POLLUTION DEGREE: 2
 OVER VOLTAGE CATEGORY: II
 : 250VAC POLLUTION DEGREE: 3
 OVER VOLTAGE CATEGORY: III
 RATED CURRENT: 46A MAX. per CONTACT
 : 57A MAX. per CONTACT (8~10mm²)
 DIELECTRIC WITHSTANDING VOLTAGE : 2000VAC
 INSULATION RESISTANCE: 1000MΩ MIN. (at 500VDC)
 APPLICABLE WIRE SIZE : 10mm² MAX.

仕様

コンタクト : #8コンタクト 4本
 定格電圧 : 500VAC (汚染度: 2/過電圧範疇: II)
 : 250VAC (汚染度: 3/過電圧範疇: III)
 定格電流 : 46A以下/1芯
 : 57A以下/1芯 (適用電線: 8~10mm²)
 耐電圧 : 2000VAC、1分間
 絶縁抵抗 : 1000MΩ以上 (DC500Vにて)
 適用電線 : 10mm²以下

DESIGNATION

命名法

JL10 8 A 22 - 22 SE ※ - EB1
 SERIES シリーズ名
 PLUG (ANGLE) プラグ(アングル)
 WATER-PROOF IN MATING PART (MATED) 嵌合時嵌合防水構造
 SHELL SIZE シェルサイズ
 INSERT ARRANGEMENT インサート名
 WITH END BELL エンドベル付
 INSERT ROTATING POSIRION インサート回転角度
 NONE: NORMAL POSITION 無し: ノーマルポジション
 WITH PROTECTIVE EARTH CONTACT 保護回路構造有
 SOCKET CONTACT ソケットコンタクト

NOTE 1. CONTACT POSITION NUMBER APPEARS IN THE AREA SHOWN.
 EARTH MARK (⊕) IS MARKED NEAR BY CONTACT No. "D".
 2. COMPANY LOGO "JAE" APPEARS IN THE AREA SHOWN.
 3. INSERT ARRANGEMENT NUMBER "22-22SE" IS MARKED IN THE AREA SHOWN.
 4. PRODUCTION LOT NUMBER ARE MARKED AS INDICATED.

※※※
 MANUFACTURING MONTH
 (1 ~ 9 : X, Y, Z)
 (JAN. ~ SEP., OCT., NOV., DEC.)
 MANUFACTURING YEAR ('13, '14...)

注1. 図示の位置に端子番号を表示する。又、保護回路接続(D端子)は⊕で表す。
 2. 図示の位置に社名【JAE】を表示する。
 3. 図示の位置にインサート名【22-22SE】を表示する。
 4. 図示の位置に製造ロットNo.を表示する。

※※※
 製造月(1~9月: 1~9, 10月: X, 11月: Y, 12月: Z)
 製造年('13, '14...)

符号 NO.	名称 DESCRIPTION	個数 QTY.	材料 MATERIAL	仕上 FINISH	備考 REMARKS
14	END BELL	1	ALUMINUM ALLOY	ZINC PLATING	COLOR: BLACK SYSTEM INTERFERENCE COLOR
13	O-RING	1	SYNTHETIC RUBBER	-	
12	CONTACT	4	COPPER ALLOY	SILVER PLATING	
11	SET SCREW	1	STEEL	ZINC PLATING	COLOR: BLACK SYSTEM INTERFERENCE COLOR
10	O-RING	1	SYNTHETIC RUBBER	-	
9	RETAINING RING	1	COPPER ALLOY	ZINC PLATING	COLOR: BLACK SYSTEM INTERFERENCE COLOR
8	RETAINING RING	1	COPPER ALLOY	ZINC PLATING	COLOR: BLACK SYSTEM INTERFERENCE COLOR
7	WAVE SPRING	1	STAINLESS STEEL	-	
6	C-TYPE RING	1	STAINLESS STEEL	-	
5	ASSEMBLY NUT	1	ALUMINUM ALLOY	ZINC PLATING	COLOR: BLACK SYSTEM INTERFERENCE COLOR
4	COUPLING NUT	1	ALUMINUM ALLOY	ZINC PLATING	COLOR: BLACK SYSTEM INTERFERENCE COLOR
3	REAR INSULATOR	1	SYNTHETIC RESIN	-	COLOR: BLACK
2	FRONT INSULATOR	1	SYNTHETIC RESIN	-	COLOR: BLACK
1	BARREL	1	ALUMINUM ALLOY	ZINC PLATING	COLOR: BLACK SYSTEM INTERFERENCE COLOR

仕様書 (SPECIFICATION) JACS-50101	第1版 (ORIGINAL DATE) 19/FEB/2013	尺度 (SCALE) 1:1	シリーズ (SERIES) JL10	日本航空電子工業株式会社
一般公差 (GENERAL TOLERANCE) 寸法 (DIMENSION)	角度 (ANGLES)	製図 DR.	名称 (TITLE) JL10-8A22-22SE-EB1	JAPAN AVIATION ELECTRONICS INDUSTRY, LTD.
±0.8 × ±0.4 ×× ±0.1 ××× ±	×° ± ×°×' ± 単位 (UNIT) : mm	担当 CHK. H. EBIHARA	質量 (MASS)	図面番号 (DRAWING NO.) SJ112318
		査閲 APPD.		版数 (VER.) 1
		承認 APPD. H. EBIHARA		

特別管理品目
SPECIAL CONTROL ITEM
TUV

WISDOM承認 2013/02/19

DCF-C-212H(12.08)