



Chipsmall Limited consists of a professional team with an average of over 10 year of expertise in the distribution of electronic components. Based in Hongkong, we have already established firm and mutual-benefit business relationships with customers from,Europe,America and south Asia,supplying obsolete and hard-to-find components to meet their specific needs.

With the principle of "Quality Parts,Customers Priority,Honest Operation,and Considerate Service",our business mainly focus on the distribution of electronic components. Line cards we deal with include Microchip,ALPS,ROHM,Xilinx,Pulse,ON,Everlight and Freescale. Main products comprise IC,Modules,Potentiometer,IC Socket,Relay,Connector.Our parts cover such applications as commercial,industrial, and automotives areas.

We are looking forward to setting up business relationship with you and hope to provide you with the best service and solution. Let us make a better world for our industry!



Contact us

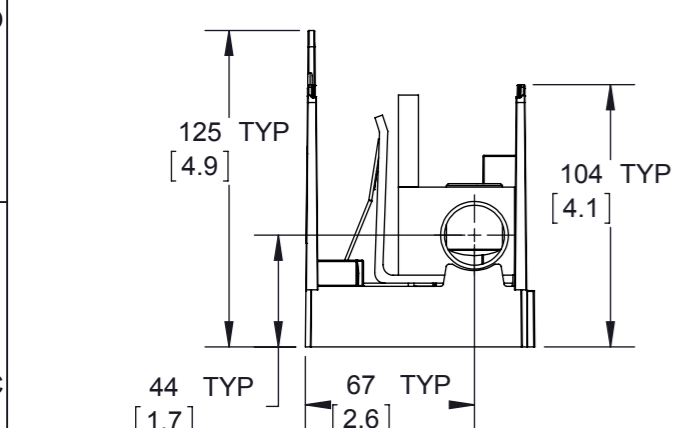
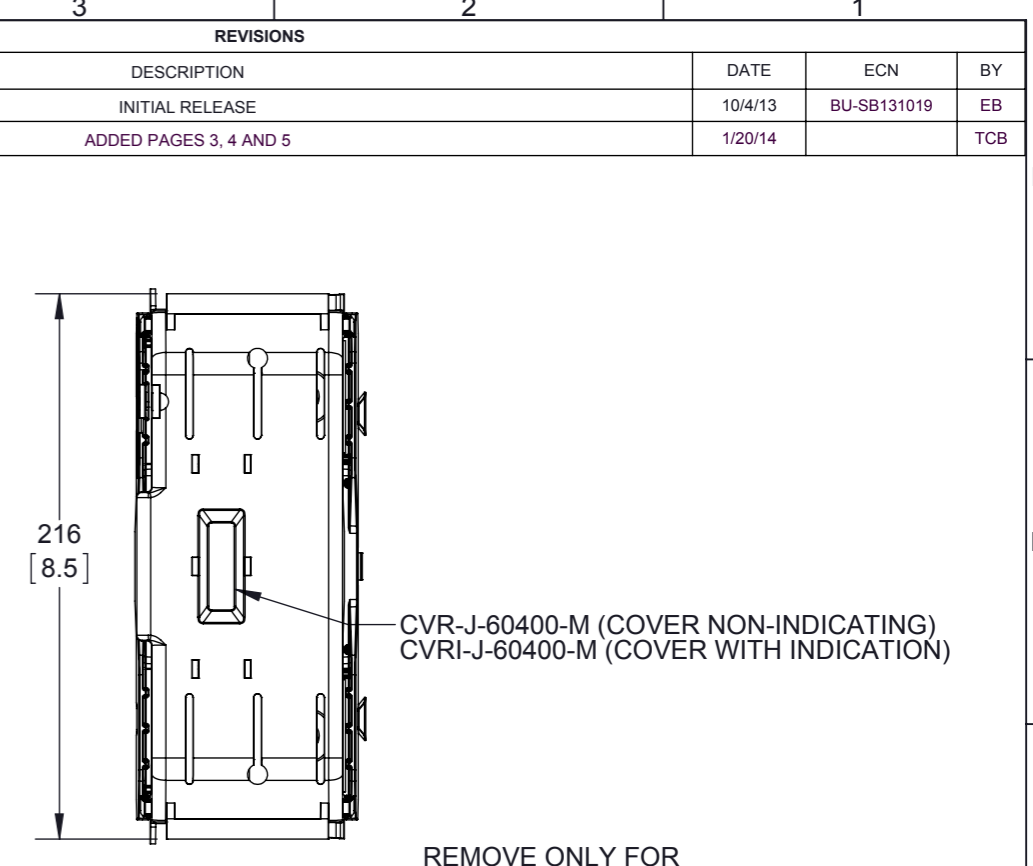
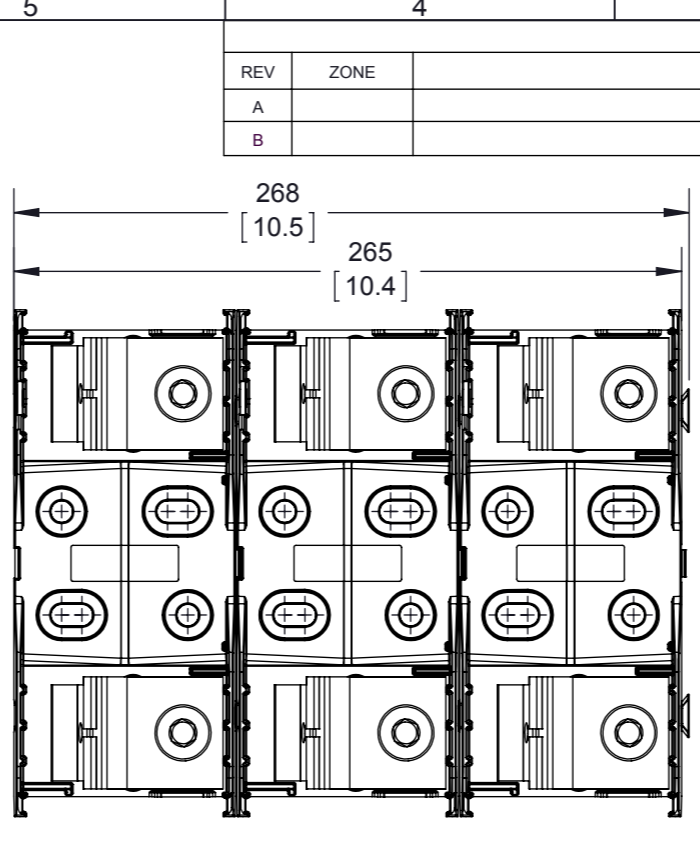
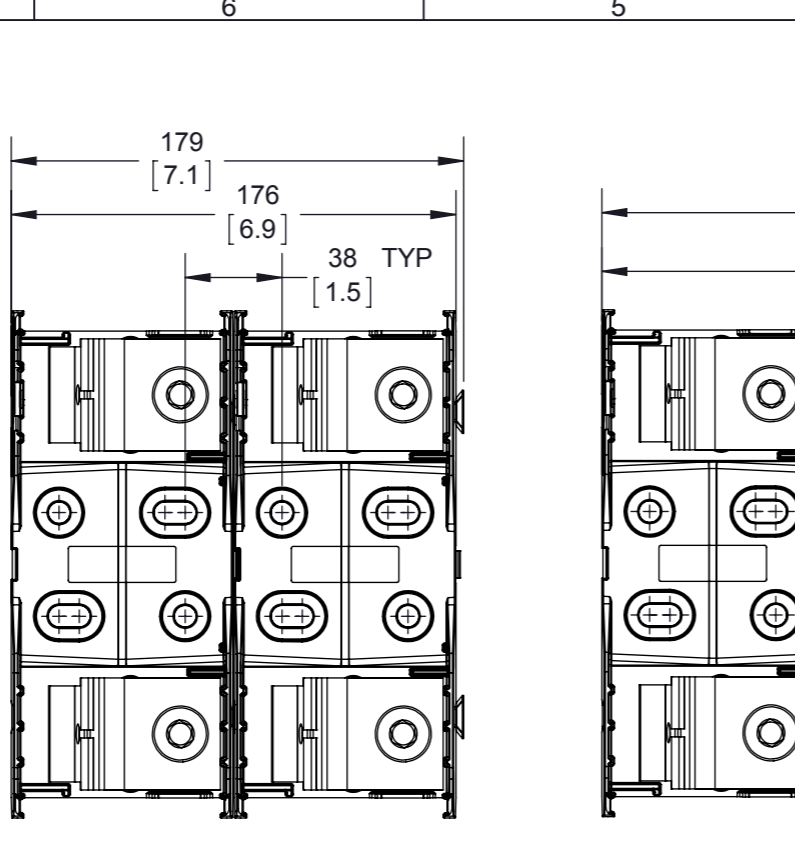
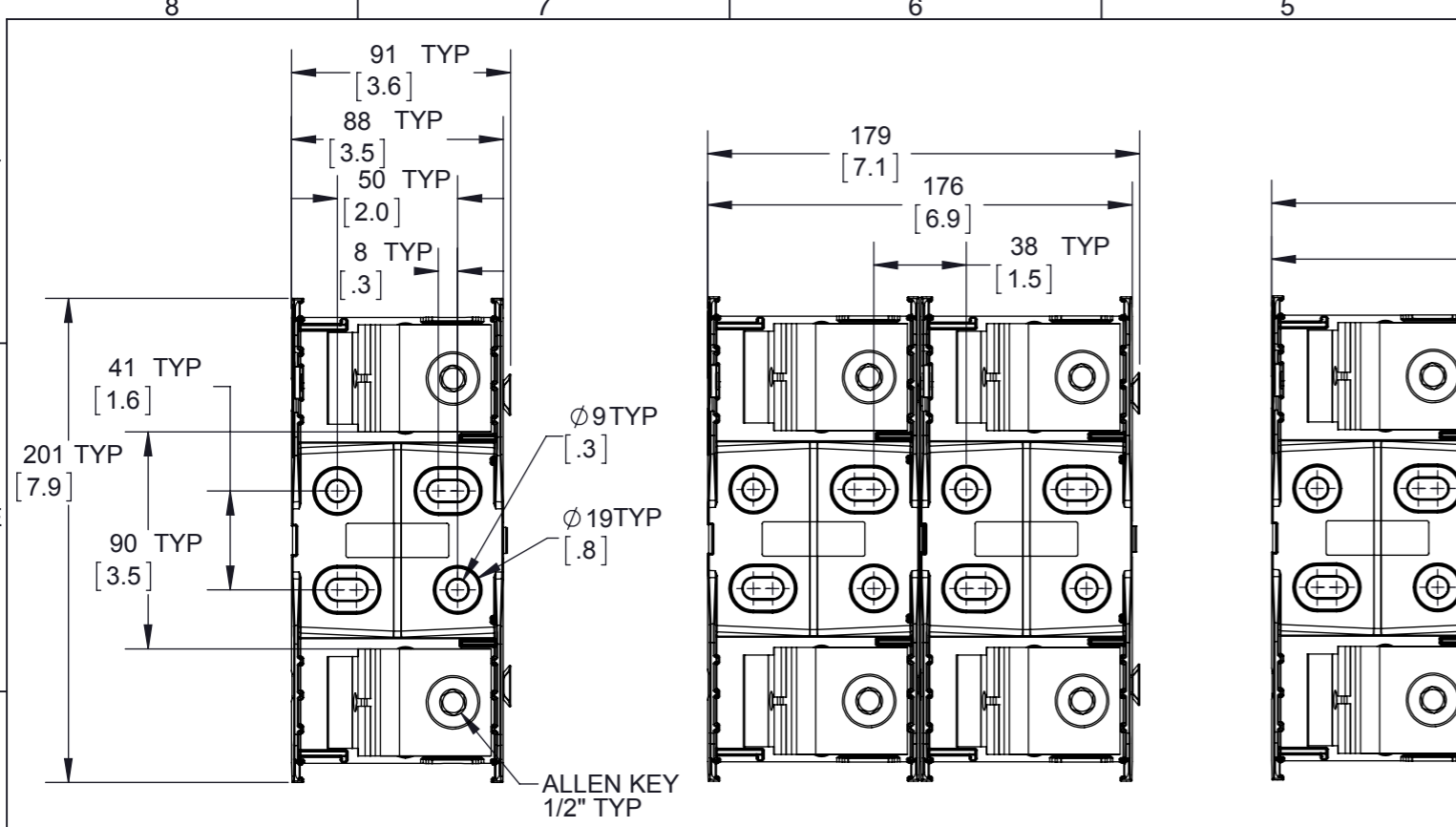
Tel: +86-755-8981 8866 Fax: +86-755-8427 6832

Email & Skype: info@chipsmall.com Web: www.chipsmall.com

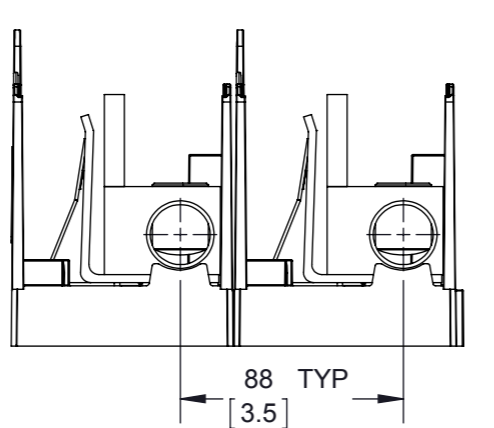
Address: A1208, Overseas Decoration Building, #122 Zhenhua RD., Futian, Shenzhen, China



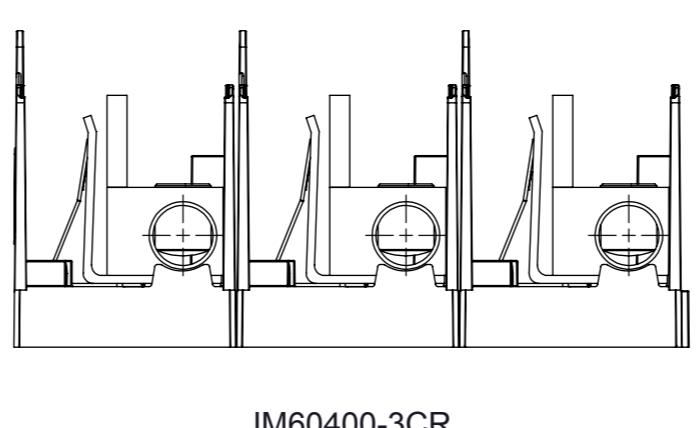
REVISIONS					
REV	ZONE	DESCRIPTION	DATE	ECN	BY
A		INITIAL RELEASE	10/4/13	BU-SB131019	EB
B		ADDED PAGES 3, 4 AND 5	1/20/14		TCB



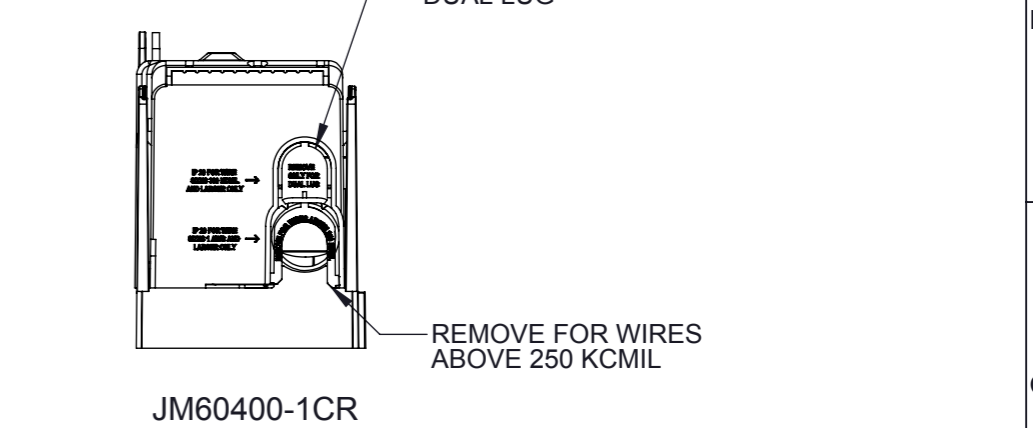
JM60400-1CR



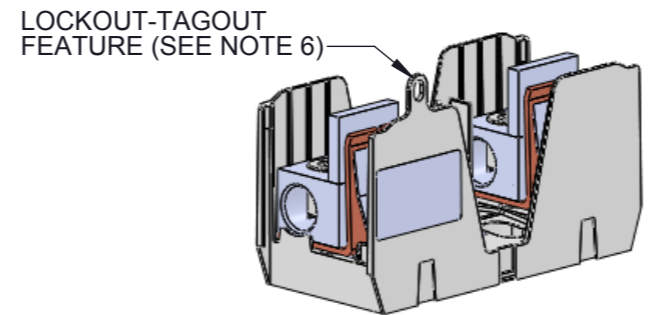
JM60400-2CR



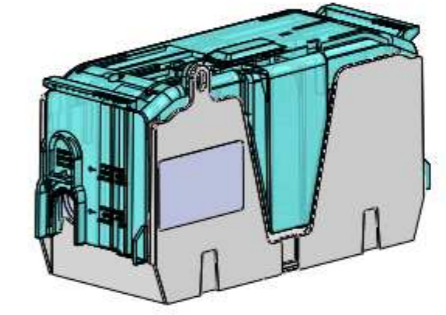
JM60400-3CR



JM60400-1CR (SHOWN WITH COVER)



3D VIEW FOR JM60400-1CR SCALE = NONE

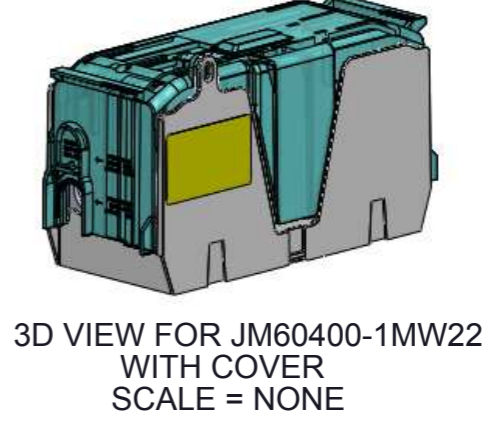
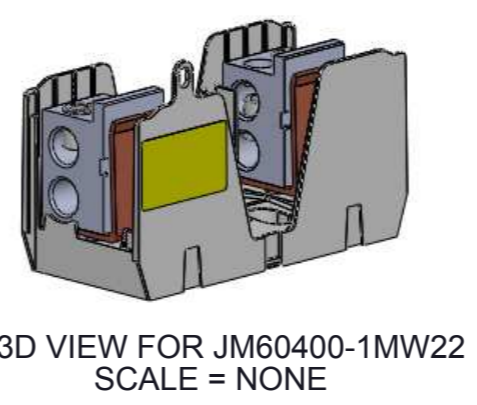
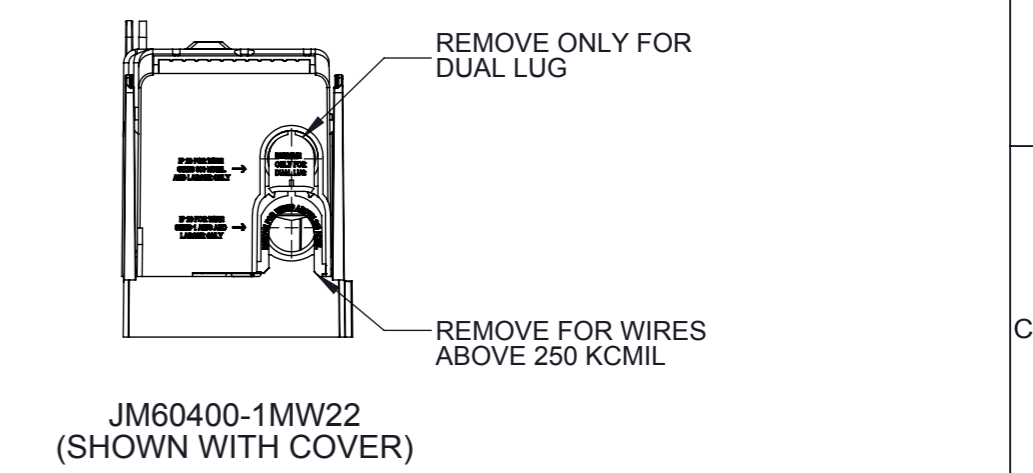
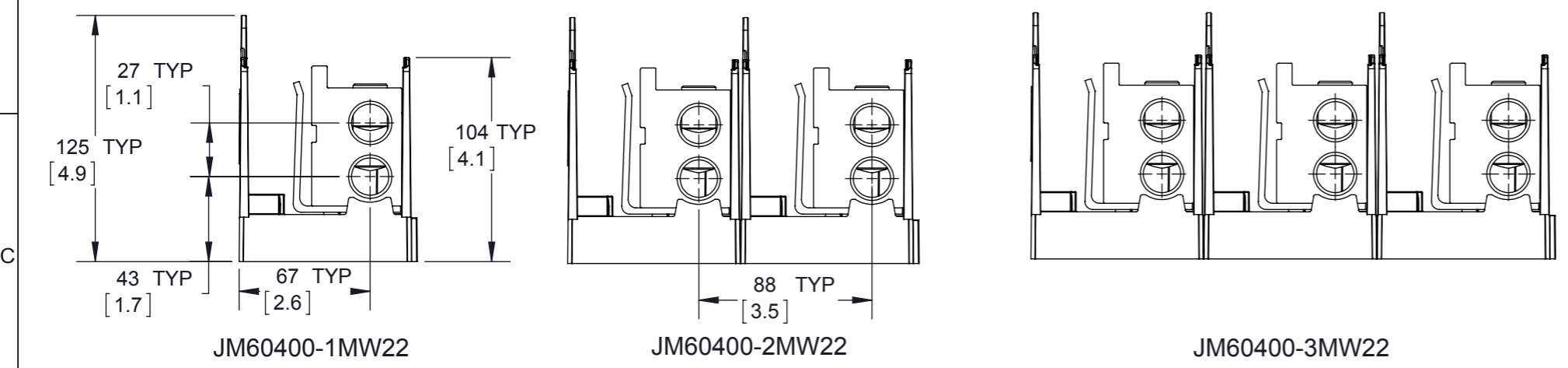
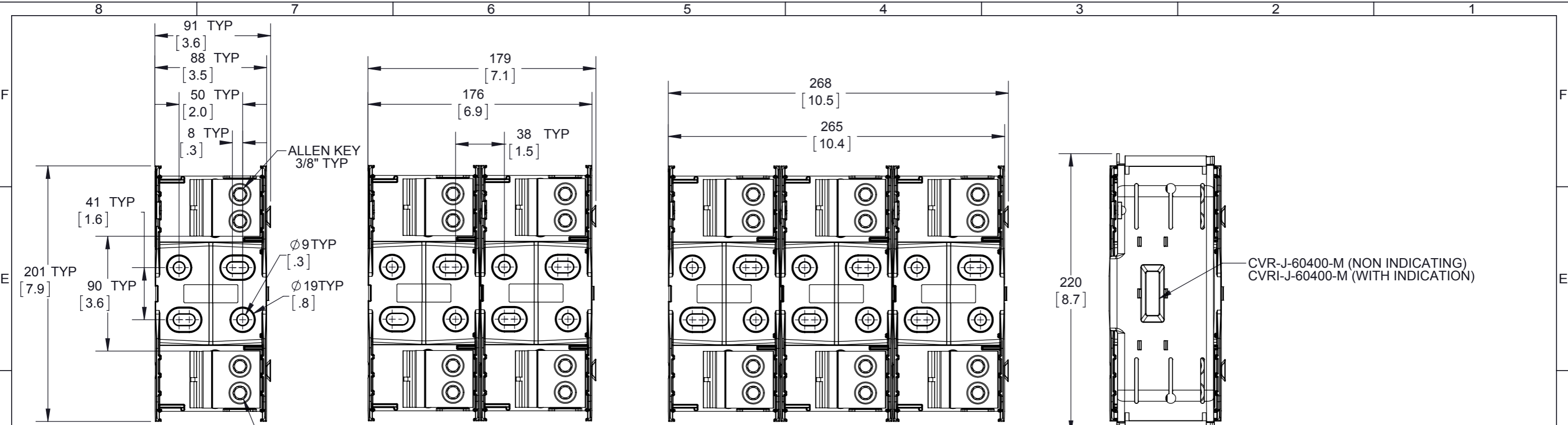


3D VIEW FOR JM60400-1CR WITH COVER SCALE = NONE

CUSTOMER PRINT

- NOTES:
- VOLTAGE RATING: 600V
 - AMPERAGE: 400A
 - WITHSTAND RATING: 200kA
 - WIRE: Cu/Al 75°C / 90°C ONLY
 - WIRE RANGE: (1) 600kcmil - 4 AWG Cu/Al (2) 3/0 - 4AWG Cu/Al
 - USE 4mm DIA. CABLE LOCK OR 1/4" DIA. HASP PADLOCK.

MODEL SOURCE DATA	MODEL VERSION	GENERAL DRAWING PRACTICES IN ACCORDANCE WITH ASME - Y14.100-2004 DIMENSIONS AND TOLERANCES IN ACCORDANCE WITH ASME - Y14.5M-1994	APPROVALS	DATE	
THIS DRAWING IS AN UNCONTROLLED COPY IF PRINTED OR SENT ELECTRONICALLY. DO NOT SCALE DRAWING		UNLESS OTHERWISE SPECIFIED DIMENSIONS ARE IN MILLIMETERS TOLERANCES TO BE ONE PLACE X.X ± mm TWO PLACE X.X X ± mm ALL ANGLES X.X ± °	ENGINEER	--/------	
CONFIDENTIAL. THE INFORMATION CONTAINED IN THIS DOCUMENT IS THE PROPERTY OF COOPER INDUSTRIES, INC. IT IS NOT FOR PUBLIC DISCLOSURE. POSSESSION OF THE INFORMATION DOES NOT CONVEY ANY RIGHT TO LOAN, SELL, OR DISCLOSE THE INFORMATION. UNAUTHORIZED REPRODUCTION OR USE OF THE INFORMATION IS PROHIBITED. THIS DOCUMENT IS TO BE RETURNED TO COOPER INDUSTRIES, INC. UPON COMPLETION OF THE PURPOSE FOR WHICH IT WAS LOANED OR UPON REQUEST.			DRAWN	--/------	
COPYRIGHT, COOPER INDUSTRIES, INC. THIS IS AN UNPUBLISHED WORK. THE DISCLOSURE OF THIS WORK IS LIMITED TO SELECT PERSONNEL. FURTHER DISSEMINATION OR DISCLOSURE TO THE PUBLIC IS PROHIBITED. THIS UNPUBLISHED WORK IS PROTECTED BY FEDERAL COPYRIGHT LAW AND ALL RIGHTS THEREUNDER ARE RESERVED BY COOPER INDUSTRIES, INC.		SPECIAL CHARACTERISTIC $\diamond (0)$	MANUFACTURING ENGINEER	--/------	
		SIGNIFICANT CHARACTERISTIC $\triangle (0)$	MATERIAL		TITLE
		THIRD ANGLE PROJECTION	FINISH	N/A	600V / 400A CLASS J FUSE BLOCK
					SIZE DWG NO.
					A3 JM60400-SERIES-CP
					SCALE: 1:2
					SHEET 1 OF 5



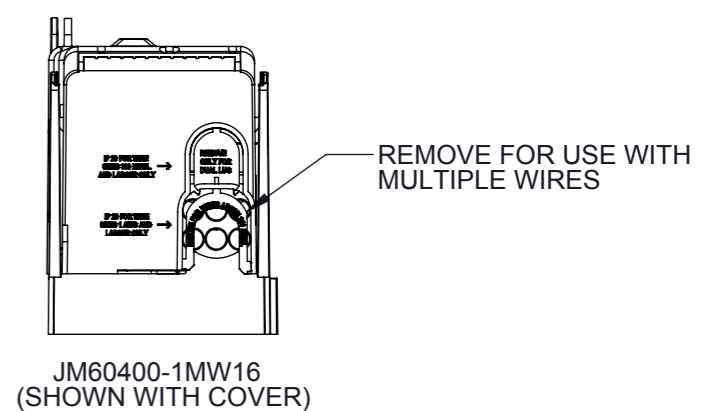
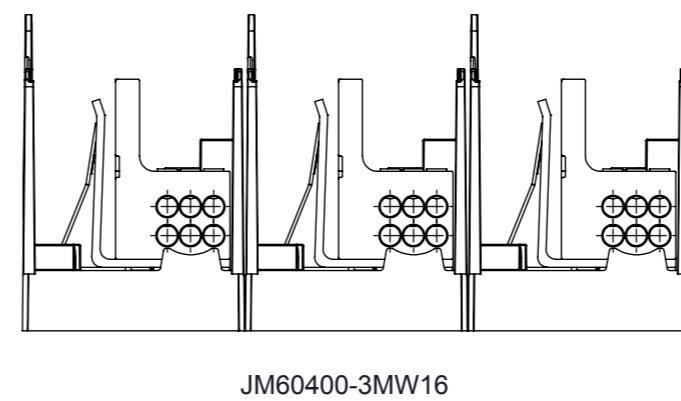
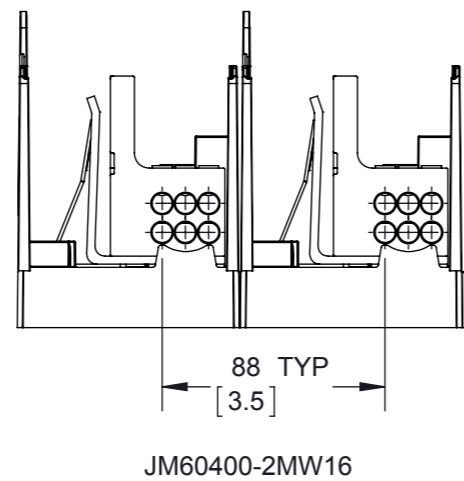
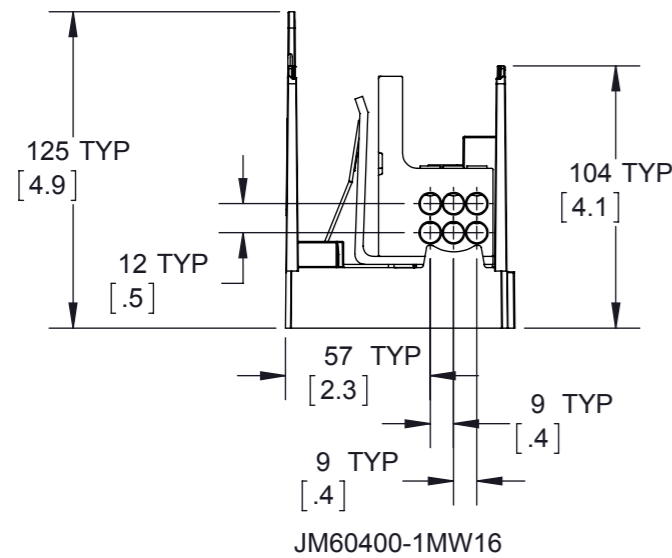
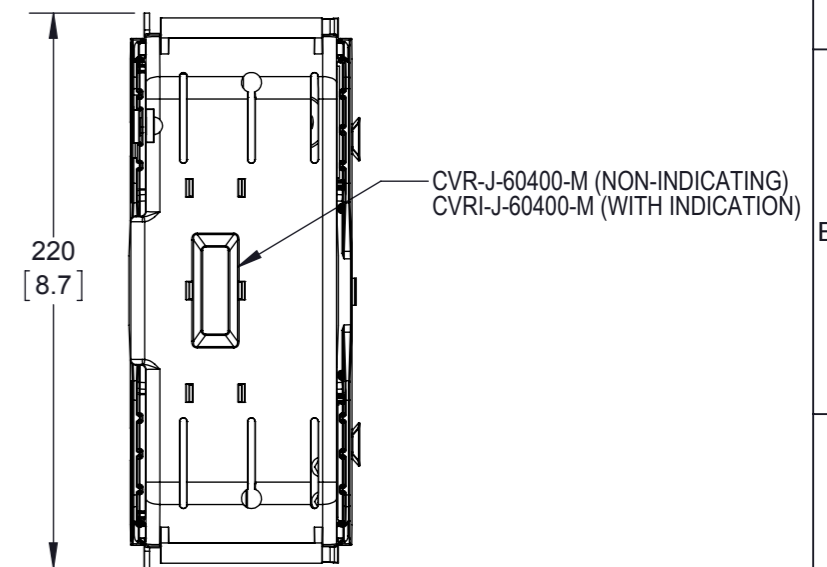
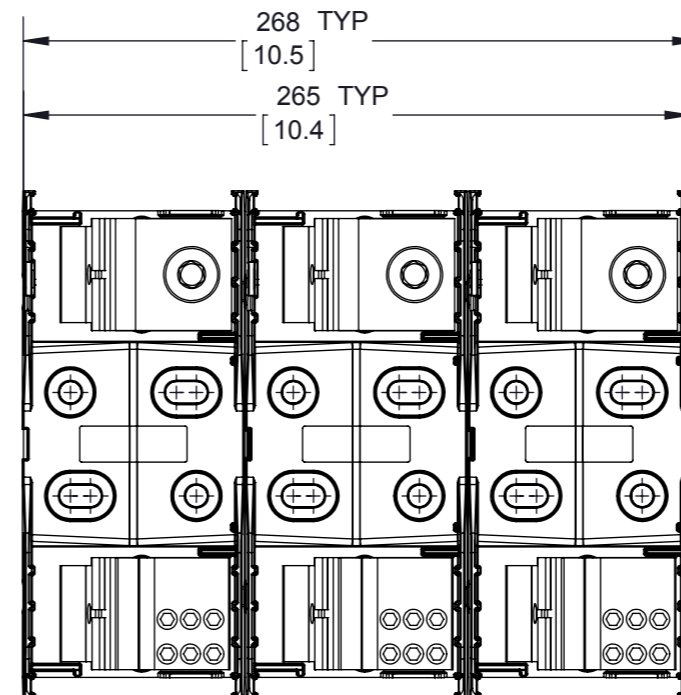
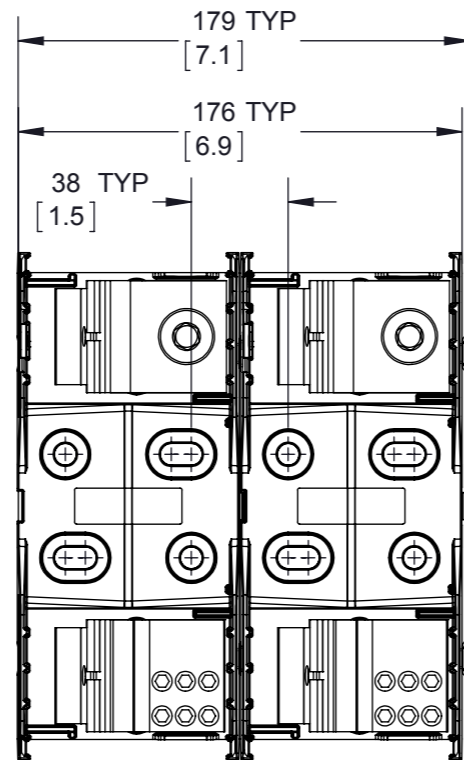
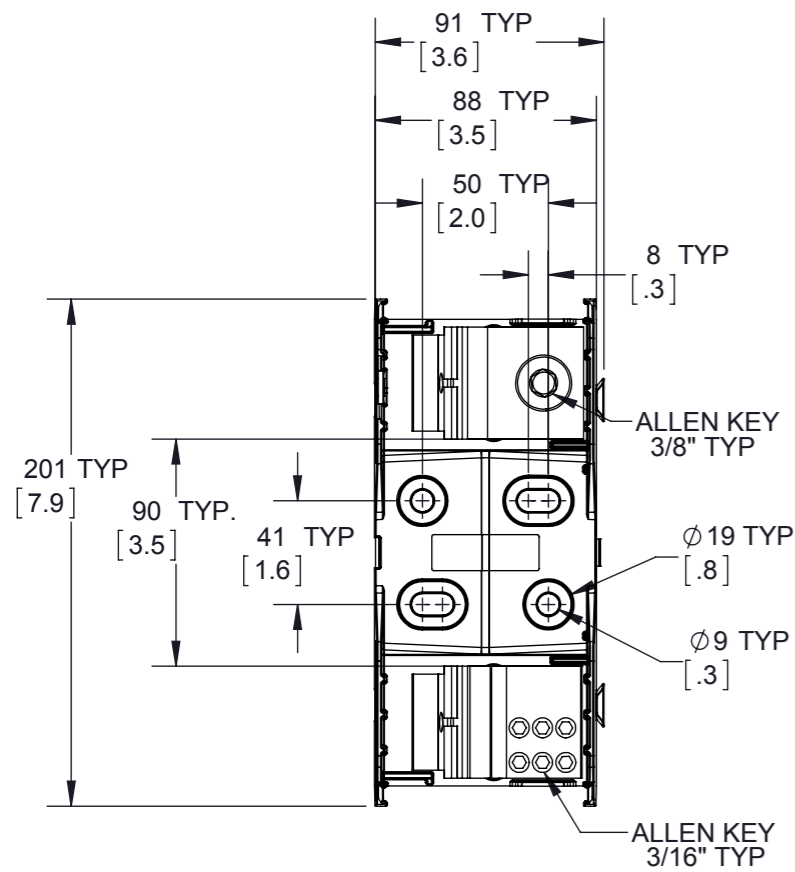
- NOTES:
- VOLTAGE RATING: 600V
 - AMPERAGE: 400A
 - WITHSTAND RATING: 200kA
 - WIRE: Cu/Al 75°C / 90°C ONLY
 - WIRE RANGE: (2) 350kcmil - 6 AWG Cu/Al
 - USE 4mm DIA. CABLE LOCK OR 1/4" DIA. HASP PADLOCK.

CUSTOMER PRINT

Bussmann
by **E.T.N.**

TITLE: 600V / 400A CLASS J FUSE BLOCK

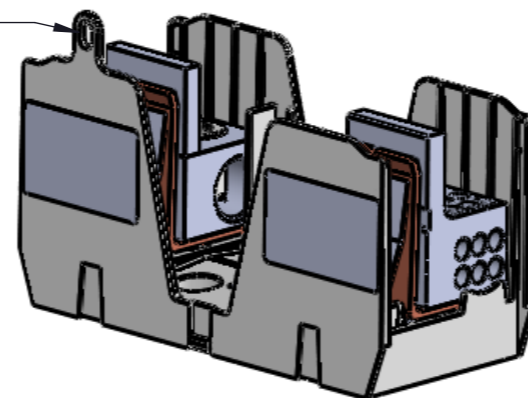
SIZE: A3	DWG NO.: JM60400-SERIES-CP	REV: B
SCALE: 1:2	SHEET: 2 OF 5	



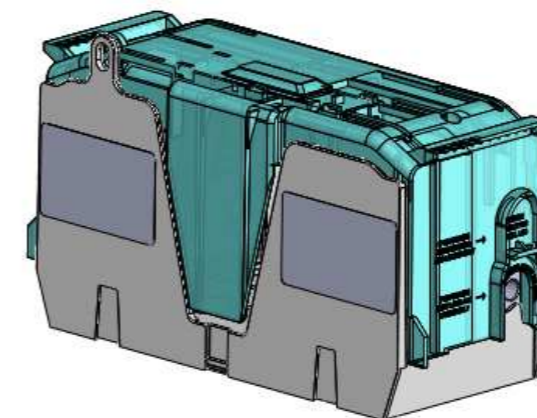
NOTES:

- 13) VOLTAGE RATING: 600V
- 14) AMPERAGE: 400A
- 15) WITHSTAND RATING: 200kA
- 16) WIRE: Cu/Al 75°C
- 17) WIRE RANGE: LINESIDE (1) 600KCMIL - 4 AWG Cu/Al
LOADSIDE (6) 2 AWG - 14 AWG Cu
(6) 2 AWG - 8 AWG Al
(12) 8 AWG - 14 AWG Cu
(12) 8 AWG Al
- 18) USE 4mm DIA. CABLE LOCK OR 1/4" DIA. HASP PADLOCK.
- 19) SEE PAGE 2 FOR LINESIDE DIMENSIONS.

LOCKOUT-TAGOUT FEATURE (SEE NOTE 18)



3D VIEW FOR JM60400-1MW16
SCALE = NONE



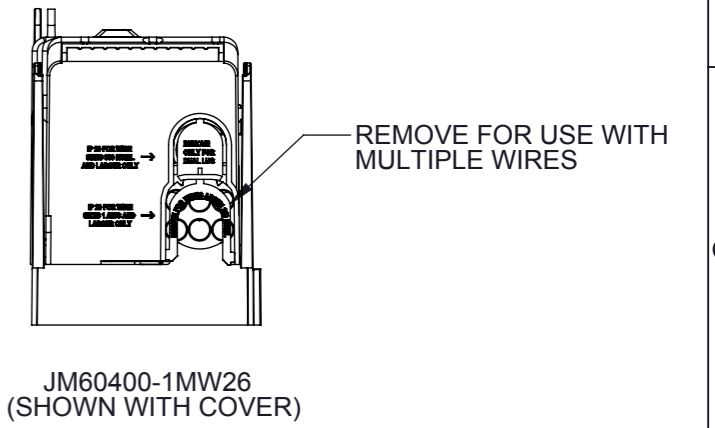
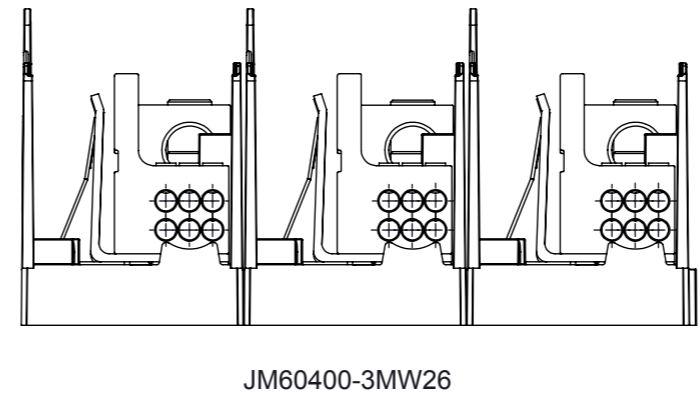
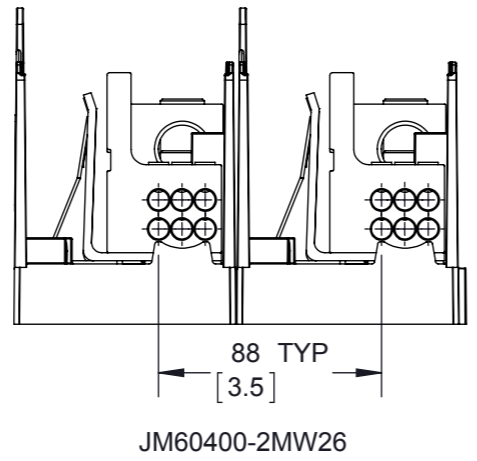
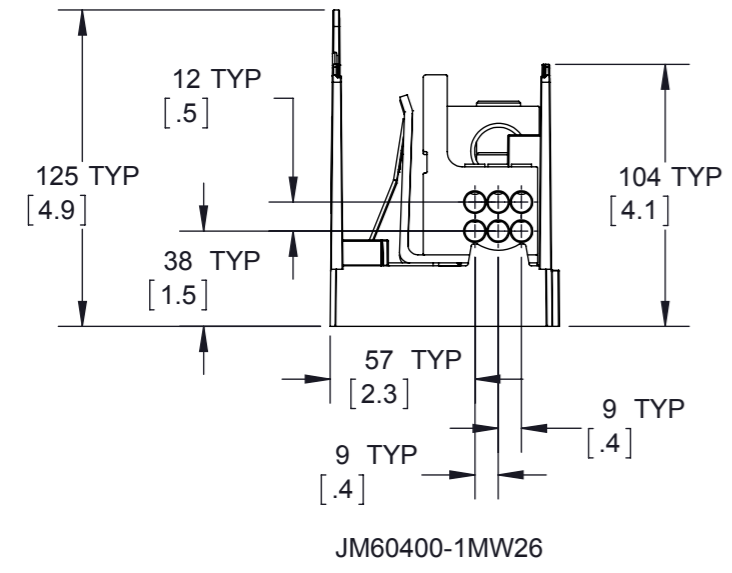
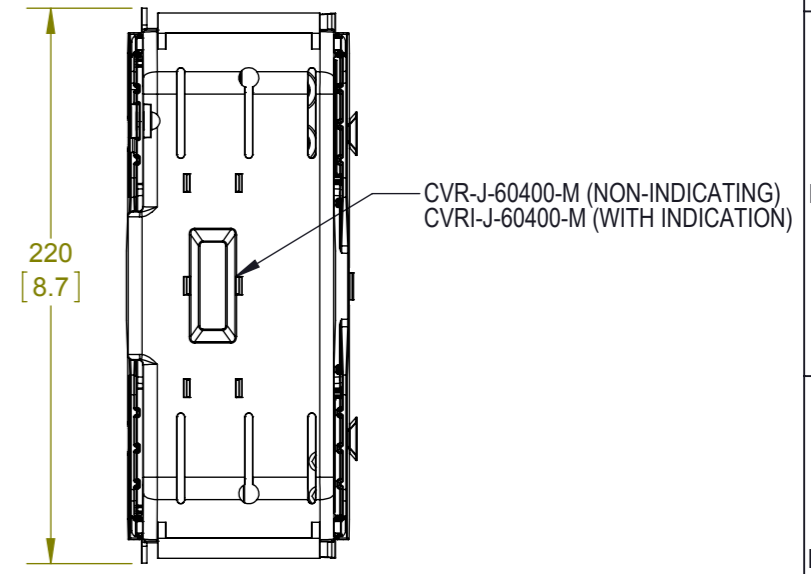
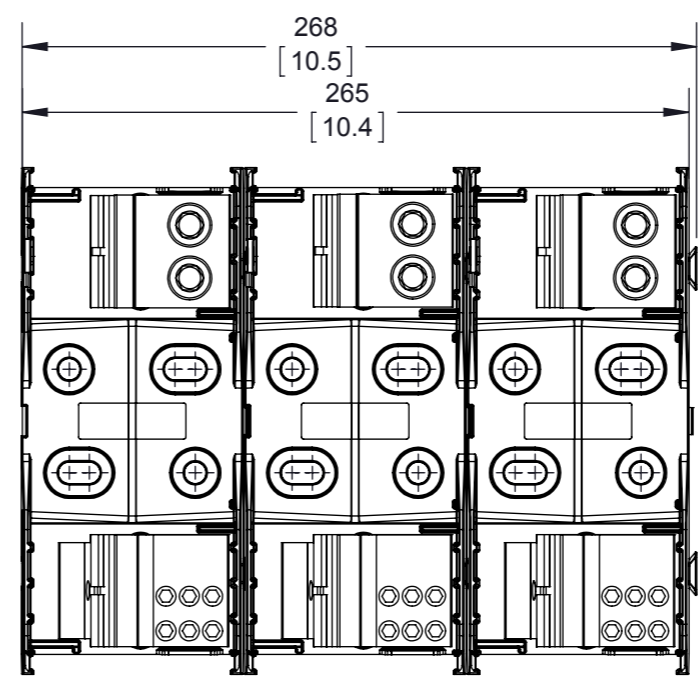
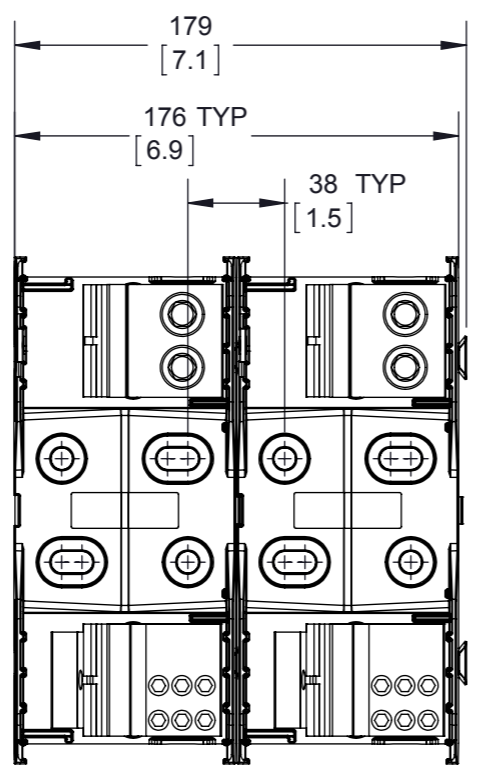
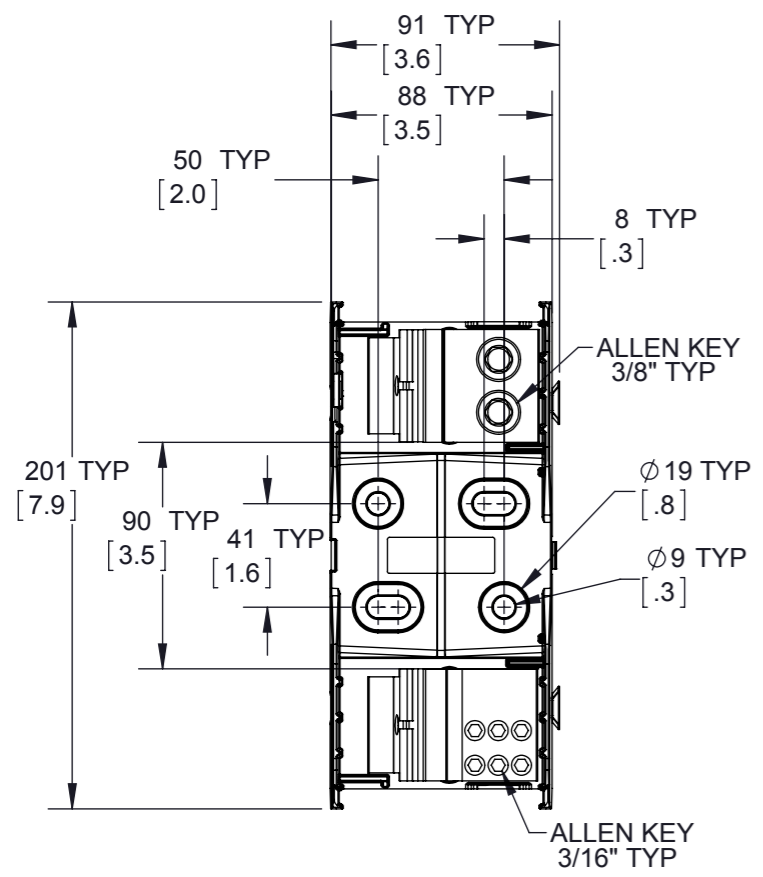
3D VIEW FOR JM60400-1MW16
(SHOWN WITH COVER)
SCALE = NONE

CUSTOMER PRINT

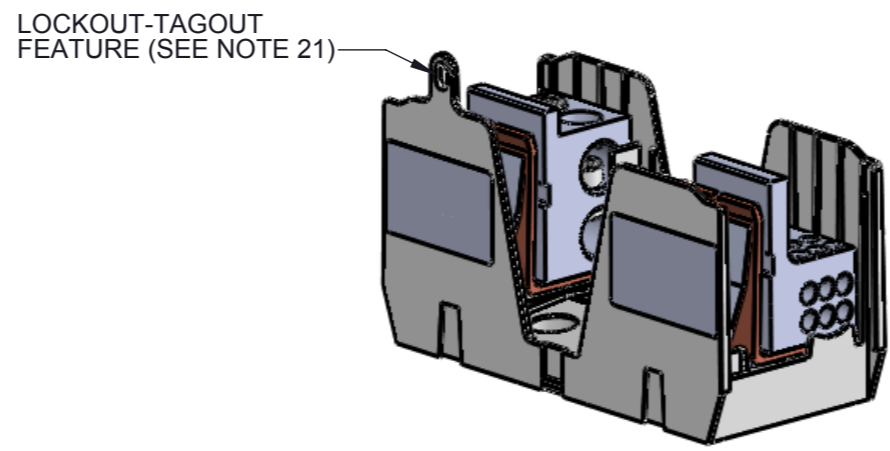
Bussmann
by **E.T.N.**

TITLE
600V / 400A CLASS J FUSE BLOCK

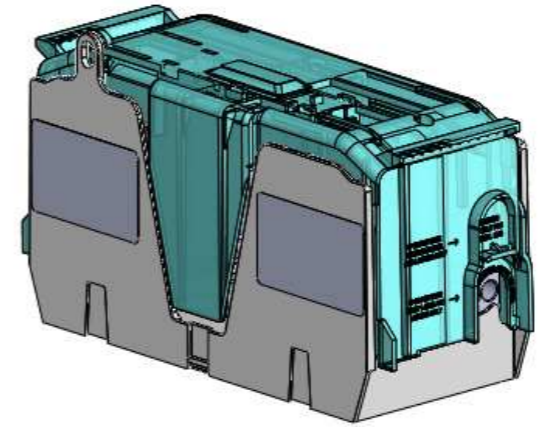
SIZE A3	DWG NO. JM60400-SERIES-CP	REV B
SCALE: 1 : 3		SHEET 3 OF 5



- NOTES:
- 16) VOLTAGE RATING: 600V
 - 17) AMPERAGE: 400A
 - 18) WITHSTAND RATING: 200kA
 - 19) WIRE: Cu/Al 75°C
 - 20) WIRE RANGE: LINESIDE (2) 350kcmil - 6 AWG Cu/Al
LOADSIDE (6) 2 AWG - 14 AWG Cu
(6) 2 AWG - 8 AWG Al
(12) 8 AWG - 14 AWG Cu
(12) 8 AWG Al
 - 21) USE 4mm DIA. CABLE LOCK OR 1/4" DIA. HASP PADLOCK.
 - 22) SEE PAGE 2 FOR LINESIDE DIMENSIONS.



3D VIEW FOR JM60400-1MW26
SCALE = NONE



3D VIEW FOR JM60400-1MW26
(SHOWN WITH COVER)
SCALE = NONE

CUSTOMER PRINT

Bussmann
by **E.T.N.**

TITLE: **600V / 400A CLASS J FUSE BLOCK**

SIZE: A3	DWG NO.: JM60400-SERIES-CP	REV: B
SCALE: 1 : 3	SHEET 4 OF 5	

8 7 6 5 4 3 2 1

F

F

E

E

D

D

C

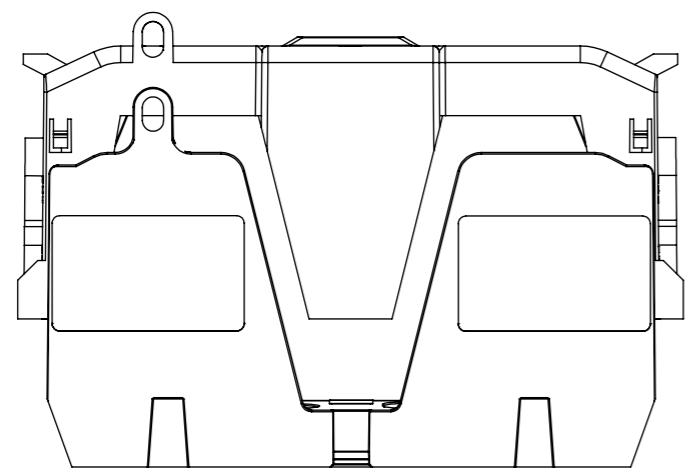
C

B

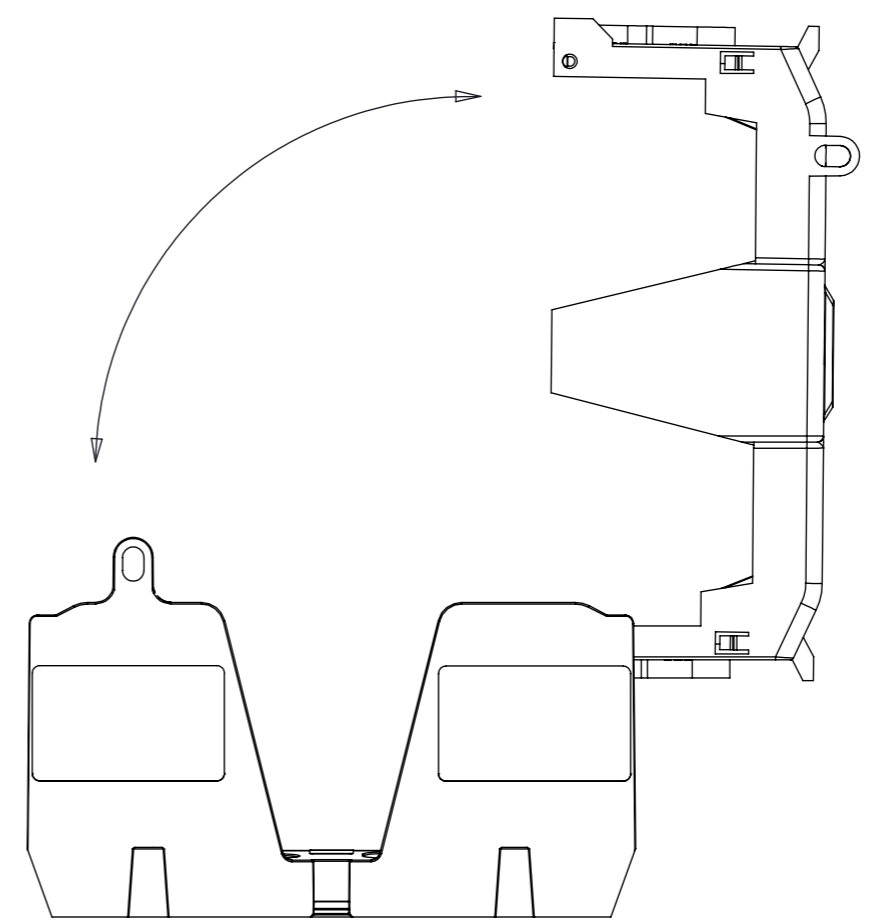
B

A

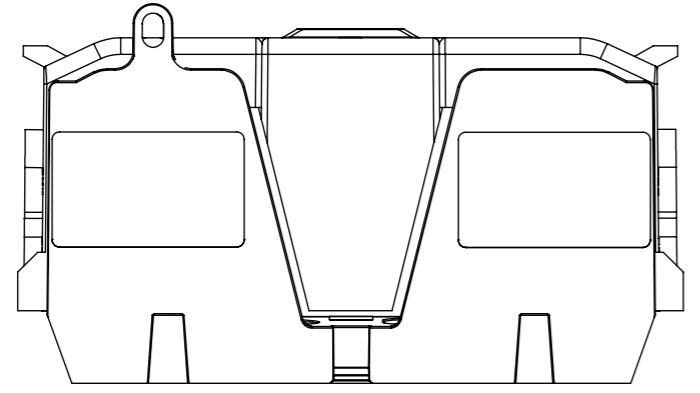
A



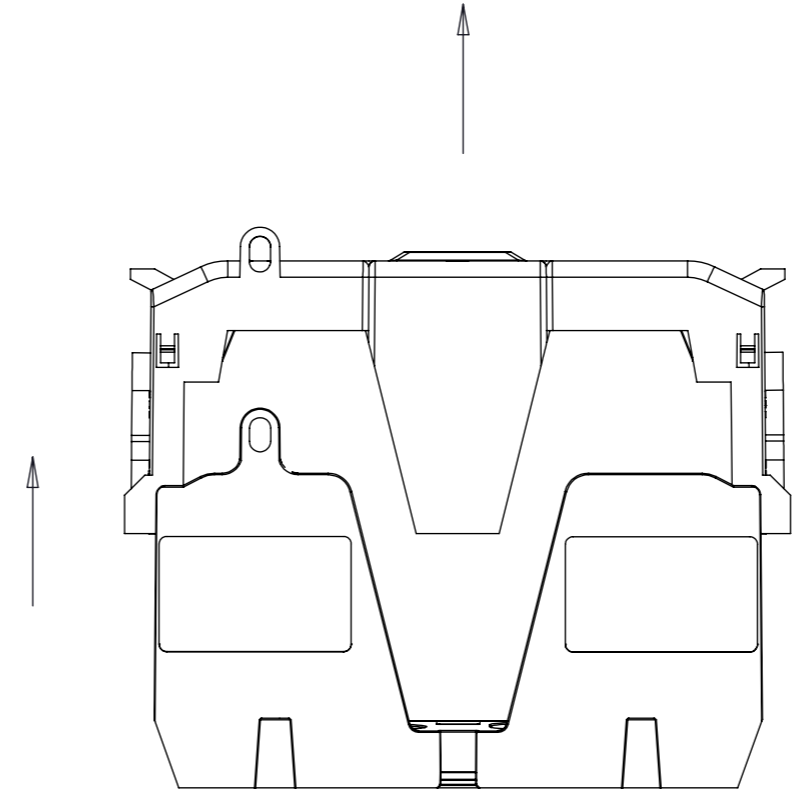
PUSH DOWN



**LIFT UP.
THEN ROTATE COVER.**



→



LIFT UP

CUSTOMER PRINT

Bussmann
by **E.T.N.**

TITLE
600V / 400A CLASS J FUSE BLOCK

SIZE A3	DWG NO. JM60400-SERIES-CP	REV B
-------------------	-------------------------------------	-----------------

SCALE: 1:2.5 SHEET 5 OF 5

8 7 6 5 4 3 2 1

SLA3_BUSSMANE_GEPER_REV_A