



Chipsmall Limited consists of a professional team with an average of over 10 year of expertise in the distribution of electronic components. Based in Hongkong, we have already established firm and mutual-benefit business relationships with customers from,Europe,America and south Asia,supplying obsolete and hard-to-find components to meet their specific needs.

With the principle of "Quality Parts,Customers Priority,Honest Operation,and Considerate Service",our business mainly focus on the distribution of electronic components. Line cards we deal with include Microchip,ALPS,ROHM,Xilinx,Pulse,ON,Everlight and Freescale. Main products comprise IC,Modules,Potentiometer,IC Socket,Relay,Connector.Our parts cover such applications as commercial,industrial, and automotives areas.

We are looking forward to setting up business relationship with you and hope to provide you with the best service and solution. Let us make a better world for our industry!



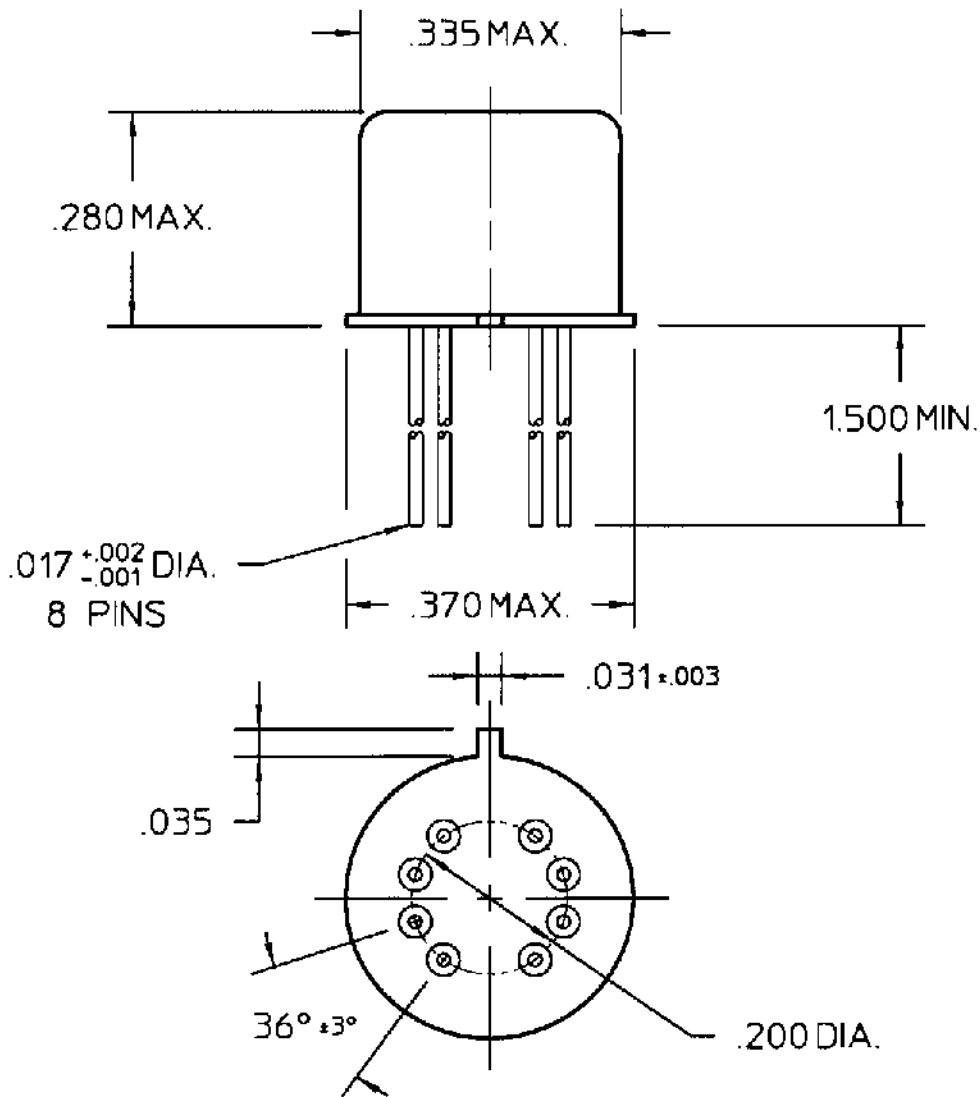
Contact us

Tel: +86-755-8981 8866 Fax: +86-755-8427 6832

Email & Skype: info@chipsmall.com Web: www.chipsmall.com

Address: A1208, Overseas Decoration Building, #122 Zhenhua RD., Futian, Shenzhen, China



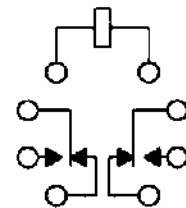


COIL: @ 25°C
 RESISTANCE 1560 OHMS ± 10%
 NOMINAL VOLTAGE 26.5 VDC
 MUST OPERATE 14.2 VDC
 MUST RELEASE 8.0 VDC MAX, 1.37 VDC MIN

ENVIRONMENT:
 VIBRATION 10 CPS TO 3000 CPS @ 30 g's
 SHOCK 75 g's 6 MS. DURATION
 TEMPERATURE -65 °C TO +125 °C

NOTES: OPERATE TIME 2.0 MS MAX.
RELEASE TIME 1.5 MS MAX.
CONTACT STABILIZATION 2.0 MS MAX.

CUSTOMER DATA SHEET



CONTACT RATING: LOW LEVEL TO 1A
28 VDC RESISTIVE 100,000 OPERATIONS

DR. R.B. 9/25/96 CK. 9/26/96

COMMUNICATIONS
INSTRUMENTS, INC.

TEST. QPL
 TEST NO. M39016/9-018P

TYPE JMA RELAY

JMAW-26XP