



Chipsmall Limited consists of a professional team with an average of over 10 year of expertise in the distribution of electronic components. Based in Hongkong, we have already established firm and mutual-benefit business relationships with customers from,Europe,America and south Asia,supplying obsolete and hard-to-find components to meet their specific needs.

With the principle of “Quality Parts,Customers Priority,Honest Operation,and Considerate Service”,our business mainly focus on the distribution of electronic components. Line cards we deal with include Microchip,ALPS,ROHM,Xilinx,Pulse,ON,Everlight and Freescale. Main products comprise IC,Modules,Potentiometer,IC Socket,Relay,Connector.Our parts cover such applications as commercial,industrial, and automotives areas.

We are looking forward to setting up business relationship with you and hope to provide you with the best service and solution. Let us make a better world for our industry!



## Contact us

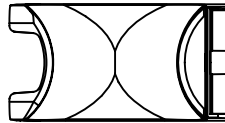
Tel: +86-755-8981 8866 Fax: +86-755-8427 6832

Email & Skype: info@chipsmall.com Web: www.chipsmall.com

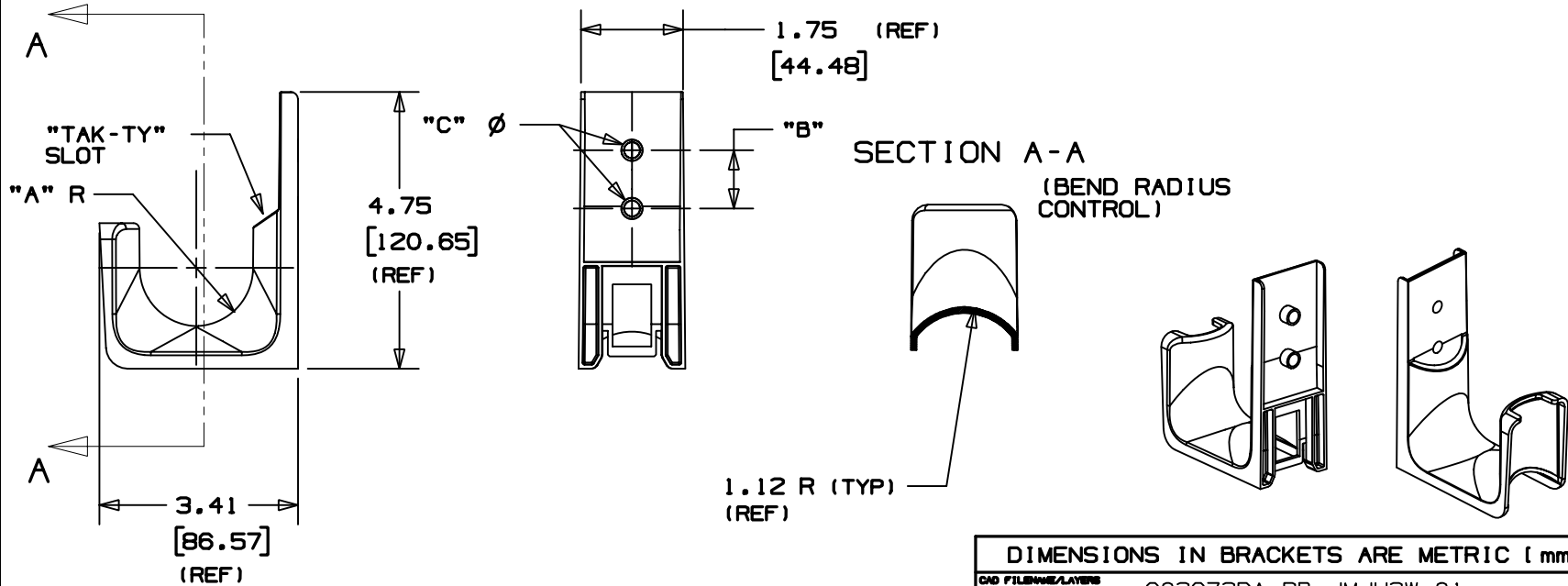
Address: A1208, Overseas Decoration Building, #122 Zhenhua RD., Futian, Shenzhen, China



THIS COPY IS PROVIDED ON A RESTRICTED BASIS AND IS NOT TO BE USED IN ANY WAY DETRIMENTAL TO THE INTERESTS OF PANDUIT CORP.



PANDUIT PART NO. *	DIMENSIONS			MAXIMUM RECOMMENDED FASTENER	WEIGHT lbs. / 10 pcs. (g) / 10 pcs.
	"A" (REF)	"B" (REF)	"C"		
JMJH2W-	1.00 (25.4)	1.00 (25.4)	0.280 (7.11)	1/4", or (6mm)	1.01 (456.86)



- NOTES:
1. SEE CURRENT PRICE SHEET FOR PART NUMBER SUFFIX DESIGNATION FOR PACKAGE SIZE AND PRODUCT COLOR.
  2. PRODUCT IS DESIGNED TO SUPPORT A MAXIMUM 2.0" DIAMETER BUNDLE. RECOMMENDED MAXIMUM STATIC LOAD: 30.0 lbs.
  3. PRODUCT INCORPORATES FEATURES ALLOWING THE USER THE ABILITY TO SECURE CABLE BUNDLES IN JMOD PRODUCT WITH "TAK-TY" CABLE TIES UP TO 3/4" WIDE.

DIMENSIONS IN BRACKETS ARE METRIC [ mm ]

CAD FILENAME/LAYERS G02672DA\_PB\_JMJH2W\_01

**PANDUIT** CORP. TINLEY PARK, ILLINOIS

(JMJH2W)  
J MOD J HOOK (WALL MOUNT)

UNLESS OTHERWISE SPECIFIED, DIMENSIONAL TOLERANCES ARE: (.X) ±0.05 (1.3) (.XX) ±0.010 (0.25) (.XX) ±0.02 (0.5) ANGLES ± 5°	UNLESS OTHERWISE SPECIFIED, ALL DIMENSIONS ARE GIVEN IN INCHES, THIRD ANGLE PROJECTION.
--	---

SCALE NONE	DWG SIZE A
DRAWING NO. GB2672DA	

REV	DATE	BY	CHK	DESCRIPTION	ECN	R	CUST	SUP
1	6/10/04	JAD		REMOVE TAK-TY SLOTS IN CABLE BED AREA	GB2672DA	1		
R	4/1/03	JAD		INITIAL RELEASE	GB2672DA	R		

DRAWN BY JAD	MAT'L: NYLON 6/6
DATE 4/1/03	
DR'D	