



Chipsmall Limited consists of a professional team with an average of over 10 year of expertise in the distribution of electronic components. Based in Hongkong, we have already established firm and mutual-benefit business relationships with customers from,Europe,America and south Asia,supplying obsolete and hard-to-find components to meet their specific needs.

With the principle of “Quality Parts,Customers Priority,Honest Operation,and Considerate Service”,our business mainly focus on the distribution of electronic components. Line cards we deal with include Microchip,ALPS,ROHM,Xilinx,Pulse,ON,Everlight and Freescale. Main products comprise IC,Modules,Potentiometer,IC Socket,Relay,Connector.Our parts cover such applications as commercial,industrial, and automotives areas.

We are looking forward to setting up business relationship with you and hope to provide you with the best service and solution. Let us make a better world for our industry!



## Contact us

Tel: +86-755-8981 8866 Fax: +86-755-8427 6832

Email & Skype: info@chipsmall.com Web: www.chipsmall.com

Address: A1208, Overseas Decoration Building, #122 Zhenhua RD., Futian, Shenzhen, China



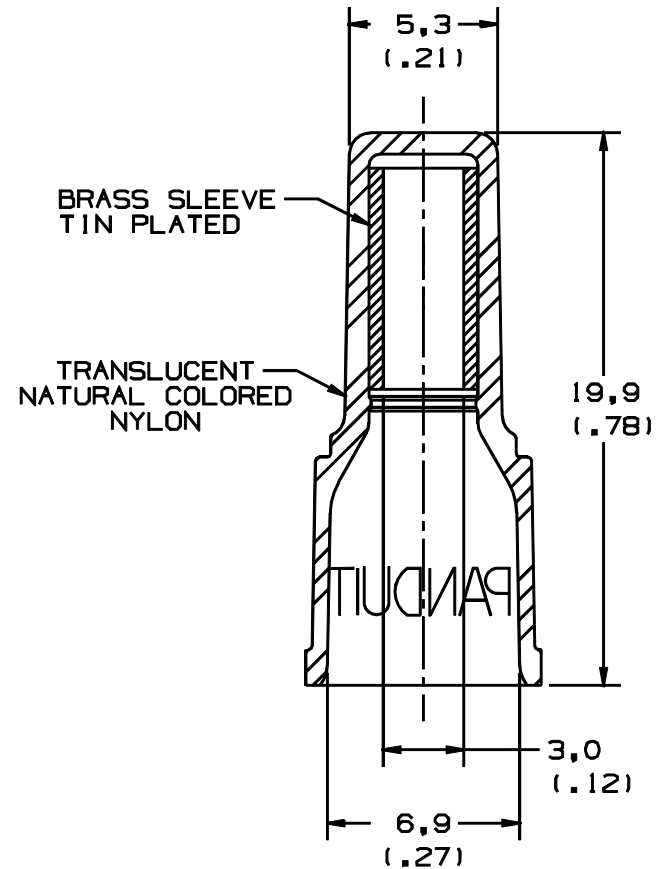
THIS COPY IS PROVIDED ON A RESTRICTED BASIS AND IS NOT TO BE USED IN ANY WAY DETRIMENTAL TO THE INTERESTS OF PANDUIT CORP.

WIRE COMBINATION CHART FOR JMN2  
WIRE JOINT

WIRE SIZE mm <sup>2</sup>	NO. OF WIRES	NUMBER OF ADDITIONAL WIRES OF ONE SIZE				
		0,5mm <sup>2</sup>	0,75mm <sup>2</sup>	1,0mm <sup>2</sup>	1,5mm <sup>2</sup>	2,5mm <sup>2</sup>
0,5	1	1-4	1-2	1-2	1	1
	2	1-3	1-2	1	1	0
	3	1-2	1	1	0	0
	4	1	0	0	0	0
	5	0	0	0	0	0
0,75	1	1-3	1-2	1	1	0
	2	1-2	1	1	0	0
	3	0	0	0	0	0
1,0	1	1-2	1-2	1	1	0
	2	1	0	0	0	0
1,5	1	1-2	1	1	0	0
2,5	1	1	0	0	0	0

NOTES:

- USED FOR:
  - 600V. MAX. VOLTAGE RATING
  - 105°C (221°F) MAX. TEMP. RATING
  - STRANDED COPPER WIRE ONLY
- PACKAGE QTY:
  - STD: -C = 100
  - BULK: -M = 1000
- DIMENSIONS ARE IN mm AND BRACKETED DIMENSIONS ARE IN INCHES
- INSTALLATION TOOLS: REF DWGS A41522, A41523, A41524, A41525
- WIRE STRIP LENGTH  $11,0^{+0,8}_{-0}$  ( $7/16^{+1/32}_{-0}$ )
- TWIST ENDS OF STRIPPED WIRE TOGETHER BEFORE INSERTING INTO WIRE JOINT



A41541\_02

02	1/01	RM		FILESPEC WAS NPC_A41541_01				<p>TINLEY PARK, ILLINOIS</p> <p>METRIC NYLON INSULATED WIRE JOINT JMN2</p>
01	10/97	JAMB		CHANGED PERIODS TO COMMAS ON ALL METRIC DIMENSIONS.	06426			
00	3/92	BK	RLS	RELEASED		KS	LA	
REV	DATE	BY	CHK	DESCRIPTION	ECN #	PM	CUST	DRAWN BY BDK Ck'D LA SCALE NONE DRAWING NO. A41541