



Chipsmall Limited consists of a professional team with an average of over 10 year of expertise in the distribution of electronic components. Based in Hongkong, we have already established firm and mutual-benefit business relationships with customers from,Europe,America and south Asia,supplying obsolete and hard-to-find components to meet their specific needs.

With the principle of “Quality Parts,Customers Priority,Honest Operation,and Considerate Service”,our business mainly focus on the distribution of electronic components. Line cards we deal with include Microchip,ALPS,ROHM,Xilinx,Pulse,ON,Everlight and Freescale. Main products comprise IC,Modules,Potentiometer,IC Socket,Relay,Connector.Our parts cover such applications as commercial,industrial, and automotives areas.

We are looking forward to setting up business relationship with you and hope to provide you with the best service and solution. Let us make a better world for our industry!



Contact us

Tel: +86-755-8981 8866 Fax: +86-755-8427 6832

Email & Skype: info@chipsmall.com Web: www.chipsmall.com

Address: A1208, Overseas Decoration Building, #122 Zhenhua RD., Futian, Shenzhen, China

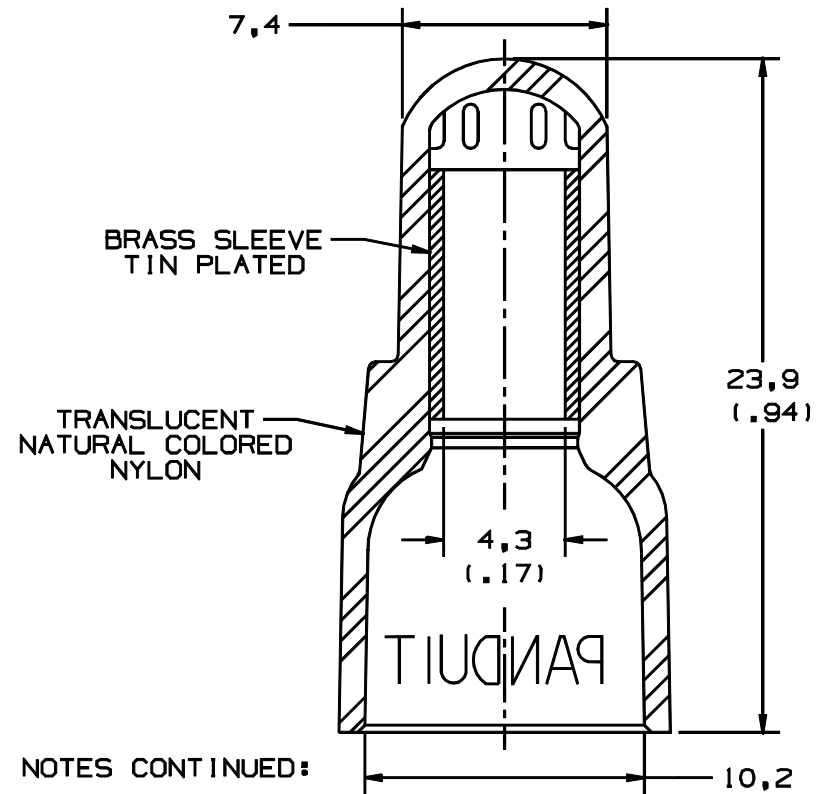


WIRE COMBINATION CHART FOR JM6
WIRE JOINT

WIRE SIZE mm ²	NO. OF WIRES	NUMBER OF ADDITIONAL WIRES OF ONE SIZE					
		0,75mm ²	1,0mm ²	1,5mm ²	2,5mm ²	4,0mm ²	6,0mm ²
0,75	1	3-8	3-6	2-4	1-2	1	1
	2	2-7	2-5	2-4	1-2	1	1
	3	1-6	1-5	1-3	1-2	1	0
	4	1-5	1-4	1-3	1	1	0
	5	1-4	1-3	1-2	1	0	0
	6	1-3	1-3	1-2	1	0	0
	7	1-2	1-2	1	0	0	0
	8	1	1	1	0	0	0
	9	0	0	0	0	0	0
1,0	1	3-8	3-6	2-4	1-2	1	1
	2	2-7	2-5	1-3	1-2	1	0
	3	1-5	1-4	1-2	1	0	0
	4	1-4	1-3	1-2	1	0	0
	5	1-3	1-2	1	0	0	0
	6	1	1	0	0	0	0
	7	0	0	0	0	0	0
1,5	1	3-7	2-5	2-4	1-2	1	1
	2	1-5	1-4	1-3	1	1	0
	3	1-3	1-3	1-2	1	0	0
	4	1	1	1	0	0	0
	5	0	0	0	0	0	0
2,5	1	2-6	1-4	1-3	1-2	1	0
	2	1-3	1-2	1	1	0	0
	3	0	0	0	0	0	0
4,0	1	1-4	1-3	1-2	1	0	0
6,0	1	1	1	1	0	0	0


NOTES:

- USED FOR:
 - 600V. MAX. VOLTAGE RATING
 - 105°C (221°F) MAX. TEMP. RATING
 - STRANDED COPPER WIRE ONLY



NOTES CONTINUED:

- PACKAGE QTY:
 - STD: -C = 100
 - BULK: -M = 1000
- DIMENSIONS ARE IN mm AND BRACKETED DIMENSIONS ARE IN INCHES
- INSTALLATION TOOLS: REF DWGS A41522, A41523, A41524, A41525
- WIRE STRIP LENGTH $12,7^{+0,8}_{-0}$ ($1/2^{+1/32}_{-0}$)
- TWIST ENDS OF STRIPPED WIRE TOGETHER BEFORE INSERTING INTO WIRE JOINT

				FILESPEC WAS NPC_A41542_01					A41542_02	
02	1/01	RM		CHANGED PERIODS TO COMMAS ON ALL METRIC DIMENSIONS.			06426	TINLEY PARK, ILLINOIS		
01	10/97	JAMB		RELEASED			KS	METRIC NYLON INSULATED WIRE JOINT JM6		
00	3/92	BK	RLS	DESCRIPTION			ECN #	PM	CUST	DRAWN BY BDK Ck'D LA SCALE NONE DRAWING NO. A41542