



Chipsmall Limited consists of a professional team with an average of over 10 year of expertise in the distribution of electronic components. Based in Hongkong, we have already established firm and mutual-benefit business relationships with customers from,Europe,America and south Asia,supplying obsolete and hard-to-find components to meet their specific needs.

With the principle of “Quality Parts,Customers Priority,Honest Operation,and Considerate Service”,our business mainly focus on the distribution of electronic components. Line cards we deal with include Microchip,ALPS,ROHM,Xilinx,Pulse,ON,Everlight and Freescale. Main products comprise IC,Modules,Potentiometer,IC Socket,Relay,Connector.Our parts cover such applications as commercial,industrial, and automotives areas.

We are looking forward to setting up business relationship with you and hope to provide you with the best service and solution. Let us make a better world for our industry!



Contact us

Tel: +86-755-8981 8866 Fax: +86-755-8427 6832

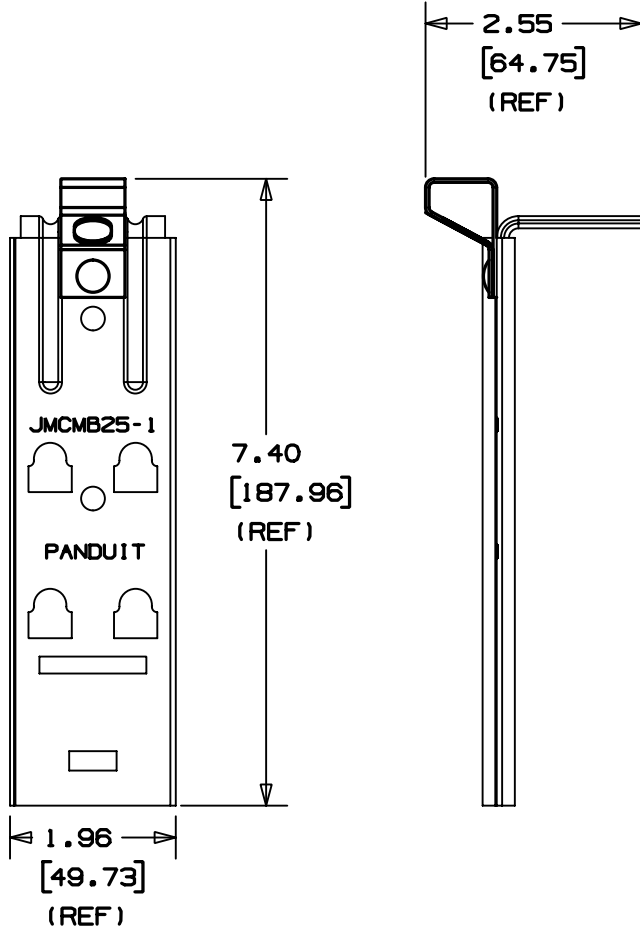
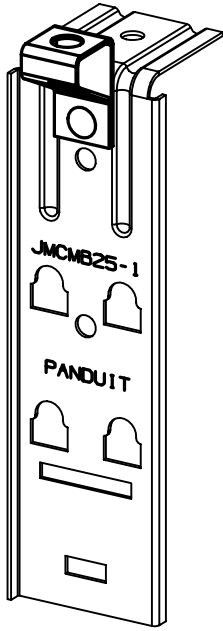
Email & Skype: info@chipsmall.com Web: www.chipsmall.com

Address: A1208, Overseas Decoration Building, #122 Zhenhua RD., Futian, Shenzhen, China



THIS COPY IS PROVIDED ON A RESTRICTED BASIS AND IS NOT TO BE USED IN ANY WAY DETRIMENTAL TO THE INTERESTS OF PANDUIT CORP.

PANDUIT PART NO.	PRODUCT WORKS WITH PANDUIT PART NUMBERS:	APPLICATION SURFACE:	WEIGHT lbs / 10 (g) / pcs.
JMTRB38-1--	JMJH2 JMOD CABLE SUPPORT JM CB JMOD CHAINING BRACKET	1/4" or 3/8" THREADED ROD	2.57 (1166)



- NOTES:
- SEE CURRENT PRICE SHEET FOR PART NUMBER DESIGNATION, PACKAGE SIZE OPTIONS AND COLOR.
 - TWO NUTS APPROPRIATE FOR THE THREADED ROD USED ARE REQUIRED TO COMPLETE A RIGID INSTALLATION.
 - ASSEMBLY COMPONENT MATERIALS:
 - A. PRE-GLAVANIZED STEEL (JMCM25-1)
 - B. ZINC PLATED STEEL (RIVET)
 - C. SPRING STEEL (THREADED ROD BRACKET)
 - RATED STATIC LOAD: 180 lbs. (81.65kg)
 - JMTRB38-1 WILL ACCEPT TWO MJH2 J HOOK PRODUCTS.

DIMENSIONS IN BRACKETS ARE METRIC [mm]	
CAD FILENAME/LAYERS G02672DP_PS_JMTRB381_00	
<h1>PANDUIT</h1> CORP. TINLEY PARK, ILLINOIS	
JMOD THREADED ROD BRACKET ASSEMBLY (JMTRB38-1--)	
UNLESS OTHERWISE SPECIFIED, DIMENSIONAL TOLERANCES ARE: (.X) ±0.05 (1.3) (.XXX) ±0.010 (0.25) (.XX) ±0.02 (0.5) ANGLES ± 5°	UNLESS OTHERWISE SPECIFIED, ALL DIMENSIONS ARE GIVEN IN INCHES, THIRD ANGLE PROJECTION.
DRAWN BY JAD DATE 3/7/03 CHK'D	MAT'L: SEE NOTE 3 SCALE NONE DRAWING NO. GB2672DP DWG SIZE A

REV	DATE	BY	CHK	DESCRIPTION	ECN	R	CUST	SUP
R	3/7/03	JAD		INITIAL RELEASE	68272ZDP	R		