



Chipsmall Limited consists of a professional team with an average of over 10 year of expertise in the distribution of electronic components. Based in Hongkong, we have already established firm and mutual-benefit business relationships with customers from,Europe,America and south Asia,supplying obsolete and hard-to-find components to meet their specific needs.

With the principle of "Quality Parts,Customers Priority,Honest Operation,and Considerate Service",our business mainly focus on the distribution of electronic components. Line cards we deal with include Microchip,ALPS,ROHM,Xilinx,Pulse,ON,Everlight and Freescale. Main products comprise IC,Modules,Potentiometer,IC Socket,Relay,Connector.Our parts cover such applications as commercial,industrial, and automotives areas.

We are looking forward to setting up business relationship with you and hope to provide you with the best service and solution. Let us make a better world for our industry!



## Contact us

Tel: +86-755-8981 8866 Fax: +86-755-8427 6832

Email & Skype: info@chipsmall.com Web: www.chipsmall.com

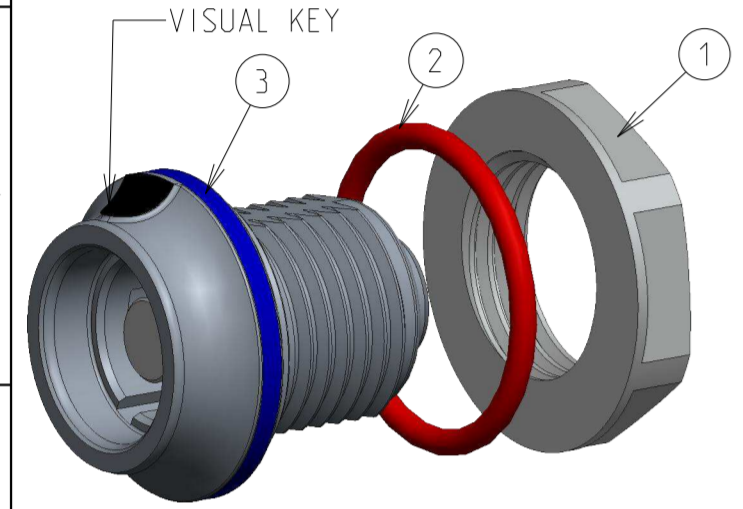
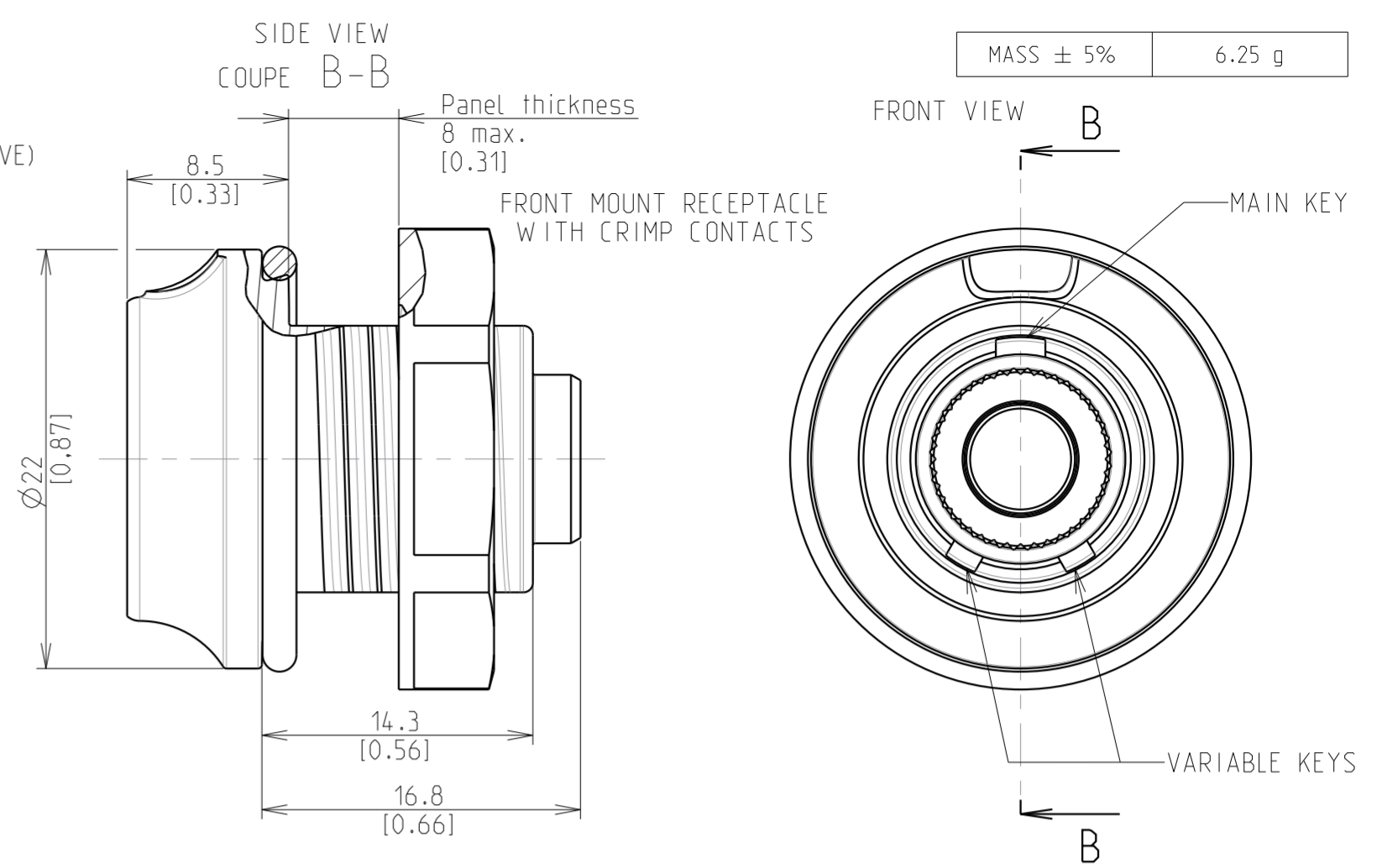
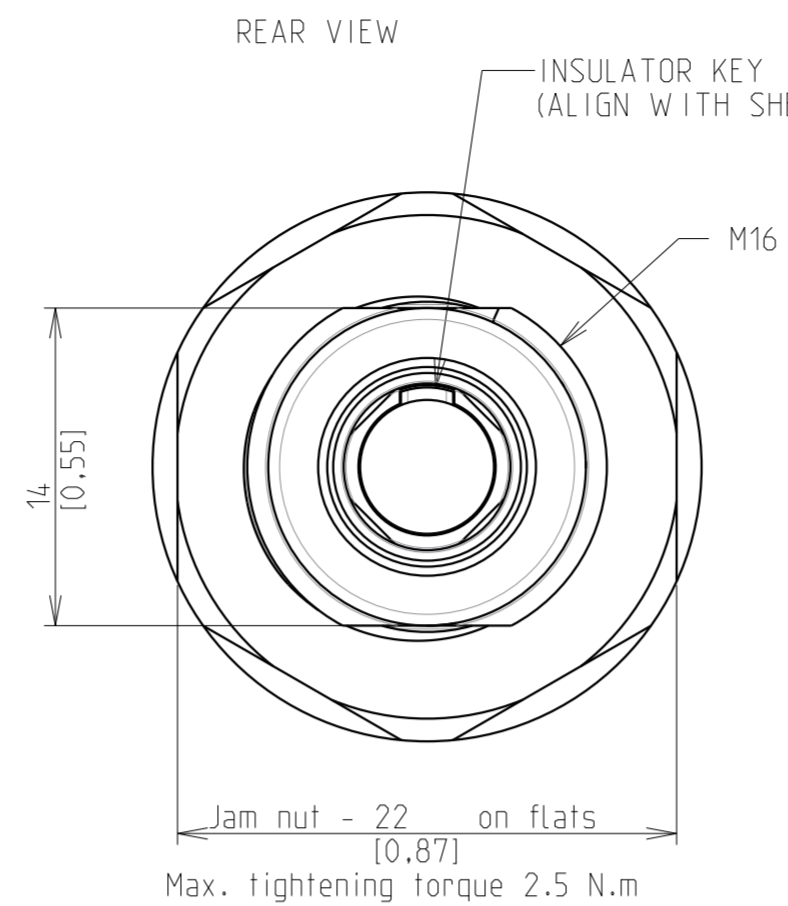
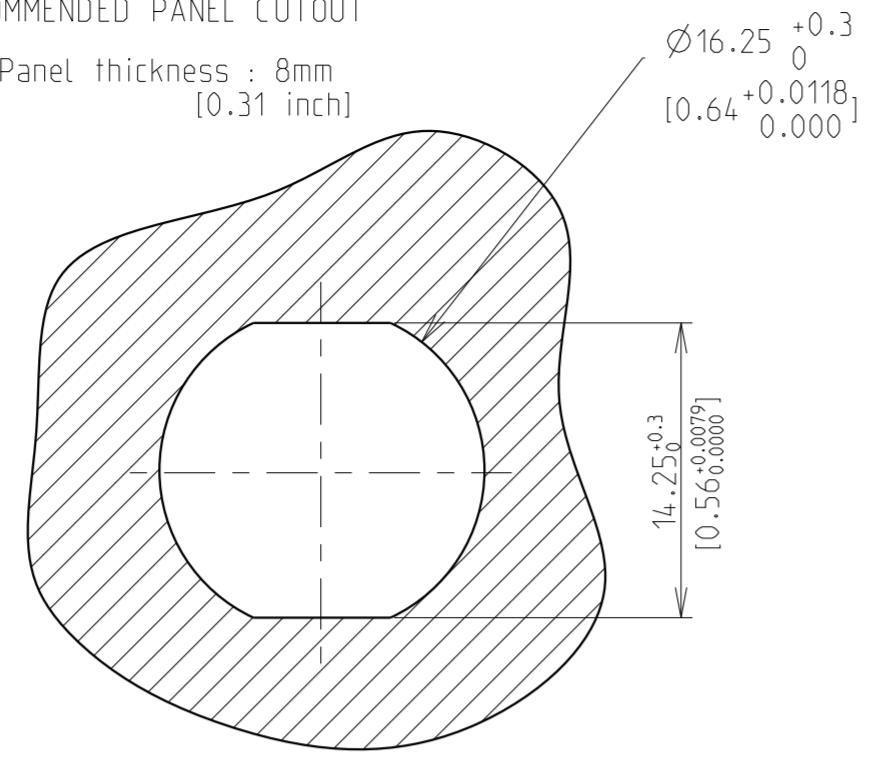
Address: A1208, Overseas Decoration Building, #122 Zhenhua RD., Futian, Shenzhen, China





C.2: Validé

RECOMMENDED PANEL CUTOUT  
 Max. Panel thickness : 8mm [0.31 inch]



SCALE 2/1

PART LIST		
ITEM NO.	DESCRIPTION	MATERIAL
1	HEX NUT	POLYAMIDE- PA6
2	PANEL SEAL	SILICONE
3	SHELL RECEPTACLE	PEI_ULTEM

**ELECTRICAL:**  
 INSULATION RESISTANCE : >500MΩ PER ANSI-EIA-364-D METHOD 21  
 MAX. CURRENT RATING : SEE INSULATOR DRAWING  
 CONNECTOR TESTING VOLTAGE : SEE INSULATOR DRAWING  
 CONNECTOR WORKING VOLTAGE : SEE INSULATOR DRAWING

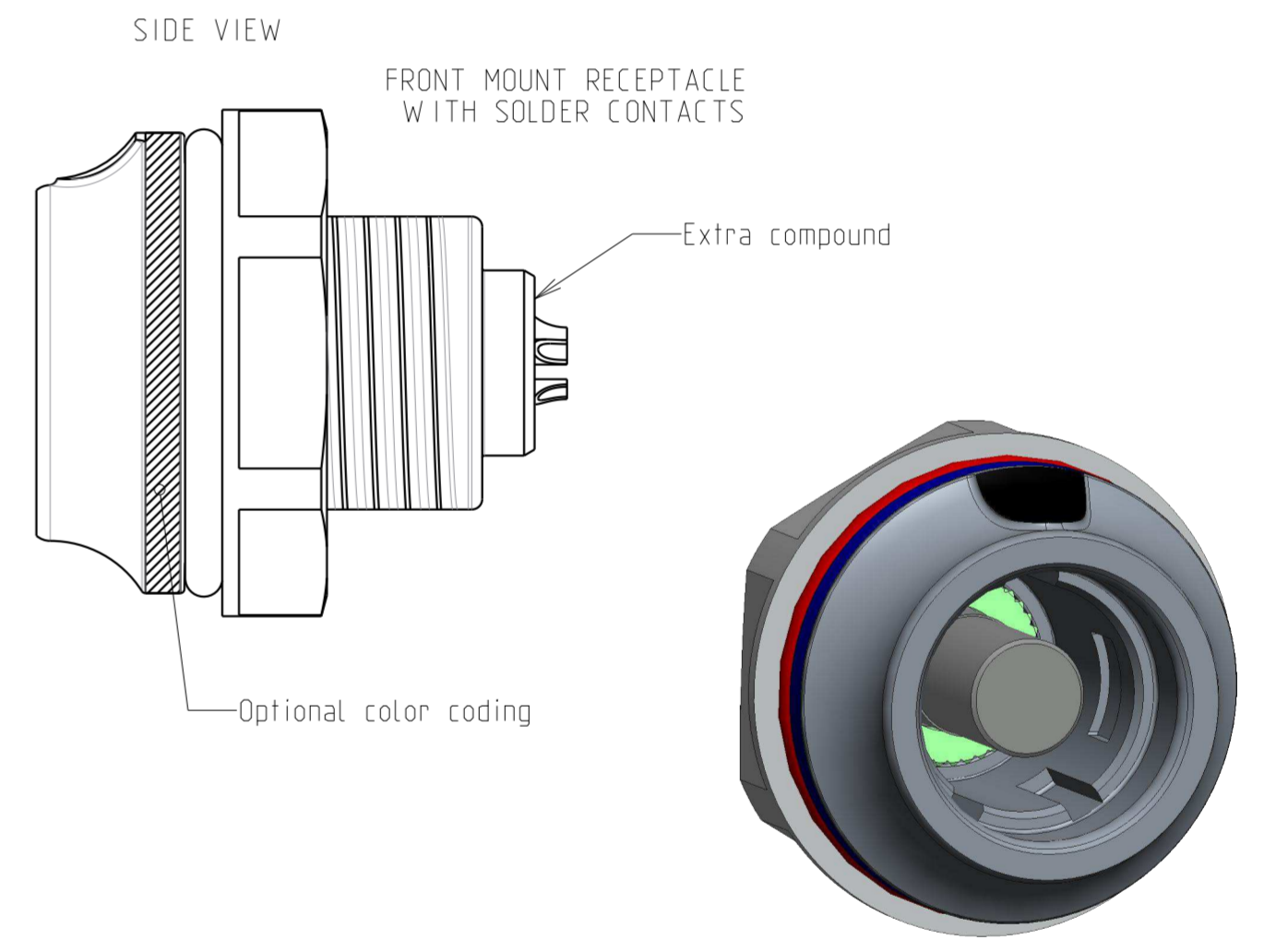
**PHYSICAL:**  
 MAXIMUM WIRE SIZE USED : SEE INSULATOR DRAWING

**ENVIRONMENTAL:**  
 ENDURANCE : 2000 MATING CYCLES AS PER IEC 60512-5 test 9a  
 SHOCK : Dropping height 750 mm [29.53] per IEC 60512 test 7b

**PROTECTION INDEX:**  
 IP 68 AS PER IEC 60529 (IBAR DURING 1 WEEK)  
 In mated condition  
 In unmated condition with solder contacts

ROHS & REACH COMPLIANT  
 OPERATING TEMPERATURE: -20°C +100°C (-4°F +212°F)

BIOCOMPATIBILITY: ALL SHELL PEI\_ULTEM PARTS to USP Class VI / ISO 10993



Connector coding												
Basic type	JMX	HH	1	G	XX	X	X	U	D	S	X	X
Shell type : HH Front mount receptacle												
Shell size												
Keying : G												
Contact layout : SEE INSULATOR DRAWING												
Contact type : (M) Male, (F) Female												
Contact style: S (Solder), C (Crimp), P (Straight PCB contacts), Q (90° PCB contacts)												
Material												
Standard collet												
Back nut : S (standard)												
Connector color coding (A)Blue, (P)Purple, (G)Grey, (J)Yellow, (M)Brown, (N)Black, (R)Red, (V)Green, (O)Orange, U(Uncolored)												
Packaging : nothing:single packaging, B(Bulk) : 100pcs												

LINEAR MESURE : mm [inch]	
TOLERANCES UNLESS OTHERWISE SPECIFIED	
No. OF PLACES	mm [INCH]
WHOLE No.	±0.5 [±0.02]
ONE PLACE	±0.2 [±0.008]
TWO PLACES	±0.1 [±0.004]
ANGLES ±1°	

SOURIAU shall not be liable for any non-conformity or damage due to a use of the Products which does not comply with the Specifications issued by either of the Parties or by a third party (professional recommendation, technical notice.)

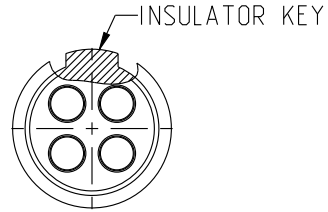
Country Jurisdiction & Control List		FR NOT LISTED	
P/N : SEE TABLE : CONNECTOR CODING			
C	27/03/17	Update	--
ISS	DATE	Latest modification - by:	G.MARCHAND
Designed by: Q.LEBRETON		Date:13/01/17	MOD N°
TITLE		FRONT MOUNT RECEPTACLE SIZE 1	
		JMX SERIES	
Scale	3/1	General linear Tolerances: SEE TABLE	NPRDS / PROJECT BE150710A
SOURIAU WWW.SOURIAU.COM		This document is the property of SOURIAU It must not be reproduced or communicated without permission	
FORMAT	A2	SOURIAU DRG N° C0001-PPP1-A	SHEET 1 / 1

DWG. NO.  
JBX11NSMSC

**MALE INSULATOR, SOLDER CONTACT**

CONTACT LAYOUT	02	03	04	05	
FRONT SIDE VIEW					
REAR SIDE VIEW					
CONTACT					
ISO VIEW					
CONTACT	ØC (mm)	1.3	1.3	0.9	0.9
	ØF (mm)	1.1	1.1	0.8	0.8
	MAX. AWG	20	20	24	24
	MAX. CURRENT RATING (A)	15	15	10	10
	CONTACT RESISTANCE (mΩ)	3	3	3.5	3.5
INSULATOR	NUMBER OF CAVITY	2	3	4	5
	MAX. CURRENT RATING (A)	10	9	8	7
	AIR CLEARANCE/CREEPAGE DISTANCE min (mm) (BETWEEN CONTACTS)	1.2	1	1	0.8
TEST VOLTAGE (V)	1200	1100	1100	1100	

**CONTACT TYPE :** M (MALE)  
**CONTACT TERMINATION :** S (SOLDER)  
**MATERIAL :**  
 CONTACT: BRASS  
 CLIP: COPPER ALLOY  
 INSULATOR: PEEK  
**FINISH:**  
 CONTACTS: GOLD



**CATALOG NUMBER DESCRIPTION**

JXXXX 1 X YYFS XXXX

SEE SHELL DRAWING  
 SHELL SIZE  
 KEYING  
 CONTACT LAYOUT

SEE SHELL DRAWING  
 CONTACT TERMINATION  
 CONTACT TYPE

REV	DESCRIPTION	BY DATE	CHKD DATE
C	REVISED PER ECN 13093	RSK 03-01-17	EV 03-01-17
B	REVISED PER ECN 12286	RSK 06-10-15	EV 06-10-15
A	RELEASED PER ECN 12264	SKV 03-10-15	EV 03-10-15

DRAWING TITLE  
**JBX, SIZE 1, MALE INSULATOR, SOLDER CONTACT**

CAT NO. **JBX11NSMS**

CAGE NO: 09922 SIZE: B

<b>CUSTOMER</b>	<b>SOURIAU</b>	APPROVAL	DRAWN: SKV 02-02-15
		CHKD : EV 02-02-15	
INTERPRET THIS DRAWING IN ACCORDANCE WITH ASME Y14.5M - 1994.	WWW.SOURIAU.COM	DSGN : EV 02-02-15	DRAWING SCALE: NA
		MFG : DH 02-02-15	DRAWING NO. REV
		QC : BB 02-02-15	JBX11NSMSC C
			1 OF 2

ORIGIN	COUNTRY	JURISDICTION	CLASSIFICATION
X	FR	Not listed	N/A
	US	EAR	ECCN =EAR99

These commodities, technology or software are exported from the United States in accordance with the Export Administration Regulations. Diversion contrary to U.S. law is prohibited

LINEAR MEASURE:  $\frac{mm}{INCH}$  mm (INCH)  
 THIRD ANGLE PROJECTION  
  
 TOLERANCES UNLESS OTHERWISE SPECIFIED  
 No. OF PLACES mm [INCH]  
 ONE PLACE ±3 [±.1]  
 TWO PLACES ±0.5 [±.02]  
 THREE PLACES ±0.25 [±.010]  
 ANGLES ±1°

THIS DRAWING IS A CONTROLLED DOCUMENT FOR SOURIAU USA, INC. IT IS SUBJECT TO CHANGE WITHOUT NOTIFICATION. CONTACT THE DOCUMENT CONTROL CENTER FOR THE LATEST REVISION.

THE INFORMATION CONTAINED IN THIS DRAWING IS CONFIDENTIAL AND MAY NOT BE DISCLOSED WITHOUT WRITTEN CONSENT FROM SOURIAU USA, INC.

THIS DRAWING IS A CONTROLLED DOCUMENT FOR SOURIAU USA, INC. IT IS SUBJECT TO CHANGE WITHOUT NOTIFICATION. CONTACT THE DOCUMENT CONTROL CENTER FOR THE LATEST REVISION.

THE INFORMATION CONTAINED IN THIS DRAWING IS CONFIDENTIAL AND MAY NOT BE DISCLOSED WITHOUT WRITTEN CONSENT FROM SOURIAU USA, INC.

DWG. NO.  
JBX11NSMSC

CONTACT LAYOUT	06	07	08	10	12
FRONT SIDE VIEW					
REAR SIDE VIEW					
CONTACT					
ISO VIEW					
CONTACT	ØC (mm)	0.7	0.7	0.7	0.5
	ØF (mm)	0.81	0.81	0.81	0.5
	MAX. AWG	22	22	22	28
	MAX. CURRENT RATING (A)	7	7	7	5
INSULATOR	CONTACT RESISTANCE (mΩ)	5	5	5	10
	NUMBER OF CAVITY	6	7	8	10
	AIR CLEARANCE/CREEPAGE DISTANCE min (mm) (BETWEEN CONTACTS)	0.75	0.75	0.54	0.58
	TEST VOLTAGE (V)	1000	1000	900	900

DRAWING TITLE  
**JBX, SIZE 1, MALE INSULATOR, SOLDER CONTACT**

CAT NO. **JBX11NSMS**

CAGE NO: 09922      SIZE: B

<b>CUSTOMER</b>	APPROVAL	DRAWN: SKV	02-02-15
		CHKD : EV	02-02-15
		DSGN : EV	02-02-15
		MFG : DH	02-02-15
	QC : BB	02-02-15	
	DRAWING SCALE: NA		
	DRAWING NO.	REV	
	JBX11NSMSC		C
	WWW.SOURIAU.COM		2 OF 2

INTERPRET THIS DRAWING IN ACCORDANCE WITH ASME Y14.5M - 1994.

ORIGIN	COUNTRY	JURISDICTION	CLASSIFICATION
<b>X</b>	<b>FR</b>	Not listed	N/A
	<b>US</b>	<b>EAR</b>	<b>ECCN =EAR99</b>
These commodities, technology or software are exported from the United States in accordance with the Export Administration Regulations. Diversion contrary to U.S. law is prohibited			

LINEAR MEASURE:  $\frac{mm}{INCH}$  mm (INCH)

THIRD ANGLE PROJECTION

TOLERANCES UNLESS OTHERWISE SPECIFIED

No. OF PLACES	mm [INCH]
ONE PLACE	±3 [±.1]
TWO PLACES	±0.5 [±.02]
THREE PLACES	±0.25 [±.010]

ANGLES ±1°

B

A