



Chipsmall Limited consists of a professional team with an average of over 10 year of expertise in the distribution of electronic components. Based in Hongkong, we have already established firm and mutual-benefit business relationships with customers from,Europe,America and south Asia,supplying obsolete and hard-to-find components to meet their specific needs.

With the principle of “Quality Parts,Customers Priority,Honest Operation,and Considerate Service”,our business mainly focus on the distribution of electronic components. Line cards we deal with include Microchip,ALPS,ROHM,Xilinx,Pulse,ON,Everlight and Freescale. Main products comprise IC,Modules,Potentiometer,IC Socket,Relay,Connector.Our parts cover such applications as commercial,industrial, and automotives areas.

We are looking forward to setting up business relationship with you and hope to provide you with the best service and solution. Let us make a better world for our industry!



Contact us

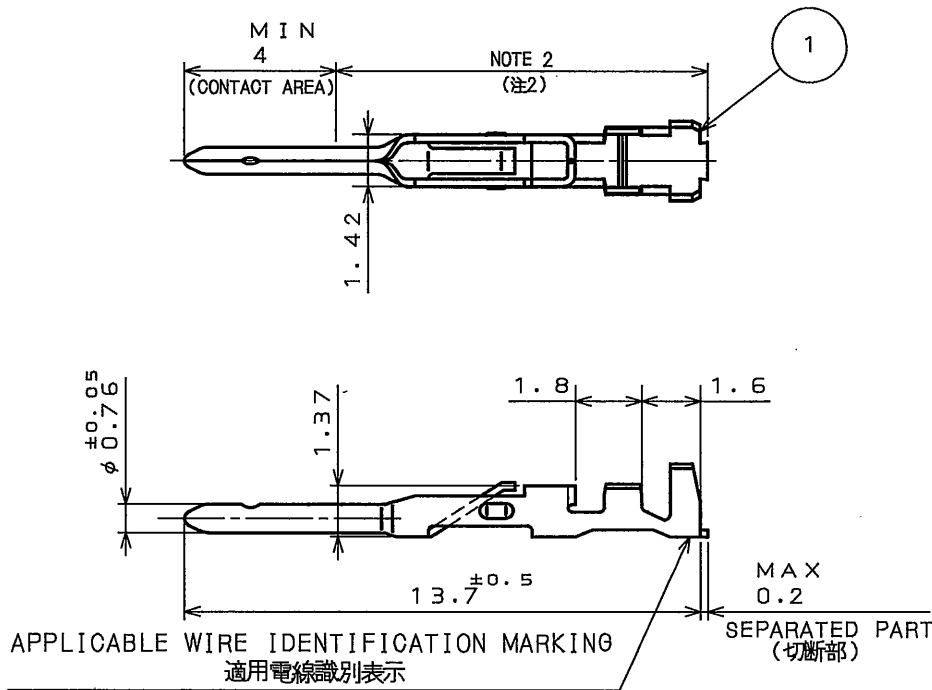
Tel: +86-755-8981 8866 Fax: +86-755-8427 6832

Email & Skype: info@chipsmall.com Web: www.chipsmall.com

Address: A1208, Overseas Decoration Building, #122 Zhenhua RD., Futian, Shenzhen, China



版数 REV.	年月日 DATE	DCN NO.	変更内容 DESCRIPTION	製図 DR.	担当 CHK.	査閲 APPD.	承認 APPD.
2	4.Jun.2003	52239	REVISED WIRE SIZE	M.NITTA	E.MATSUMOTO	—	S.NANAO
3	10.Mar.2006	059590	REVISED APPLICABLE CONTACTS.	—	N.SASANO	E. Matsumoto	A. Onogawa



TITLE 名称	APPLICABLE WIRE(NOTE1) 適用電線(注1)		APPLICABLE WIRE IDENTIFICATION MARKING 適用電線識別表示	PLATING THICKNESS OF Au IN CONTACT AREA 接触部の金メッキ厚
	WIRE SIZE 電線サイズ	OUTER DIAMETER 仕上外径		
JN1-22-20P-R-PK0100	AWG#20~21	φ 1.5 MAX	20	Au:0.1μm MIN
JN1-22-22P-R-PK0100	AWG#21~25	φ 1.5 MAX	22	
JN1-22-26P-R-PK0100	AWG#26~28	φ 1.1 MAX	26	

△NOTE1. CONFIRM THE HANDING MANUAL FOR THE DETAILS OF WIRE SPECIFICATION.
2. ONLY JN1-22-20P-R-PK0100, PLATING IN THIS AREA IS TIN PLATING.

△注1. 電線仕様詳細は、取扱説明書を確認してください。
2. JN1-22-20P-R-PK0100のみこの範囲のめっきは錫めっきである。

1	CONTACT	100	COPPER ALLOY	GOLD PLATING OVER NICKEL (NOTE2)	
符号 NO.	名称 DESCRIPTION	個数 QTY.	材料 MATERIAL	仕上 FINISH	備考 REMARKS
仕様書(SPECIFICATION) JAOS-5111 JAHL-5111		第1版(OIGINAL DATE) 24.Jan.2003		名称(TITLE) JN1-22-2※P -※-PK0100	
公差(GENERAL TOLERANCE)		製図 DR.		日本航空電子工業株式会社 JAPAN AVIATION ELECTRONICS INDUSTRY, LTD.	
寸法(DIMENSION)		担当 CHK. E.MATSUMOTO		図面番号(DRAWING NO.) SJ037430	
角度(ANGLES)		査閲 APPD.		シリーズ(SERIES) 尺度(SCALE) JN1 5:1	
. ±0.8		承認 APPD. S.NANAO		版数 (REV.) 3	
.X ±0.4					
.XX ±0.1					
.XXX ±					