



Chipsmall Limited consists of a professional team with an average of over 10 year of expertise in the distribution of electronic components. Based in Hongkong, we have already established firm and mutual-benefit business relationships with customers from,Europe,America and south Asia,supplying obsolete and hard-to-find components to meet their specific needs.

With the principle of “Quality Parts,Customers Priority,Honest Operation,and Considerate Service”,our business mainly focus on the distribution of electronic components. Line cards we deal with include Microchip,ALPS,ROHM,Xilinx,Pulse,ON,Everlight and Freescale. Main products comprise IC,Modules,Potentiometer,IC Socket,Relay,Connector.Our parts cover such applications as commercial,industrial, and automotives areas.

We are looking forward to setting up business relationship with you and hope to provide you with the best service and solution. Let us make a better world for our industry!



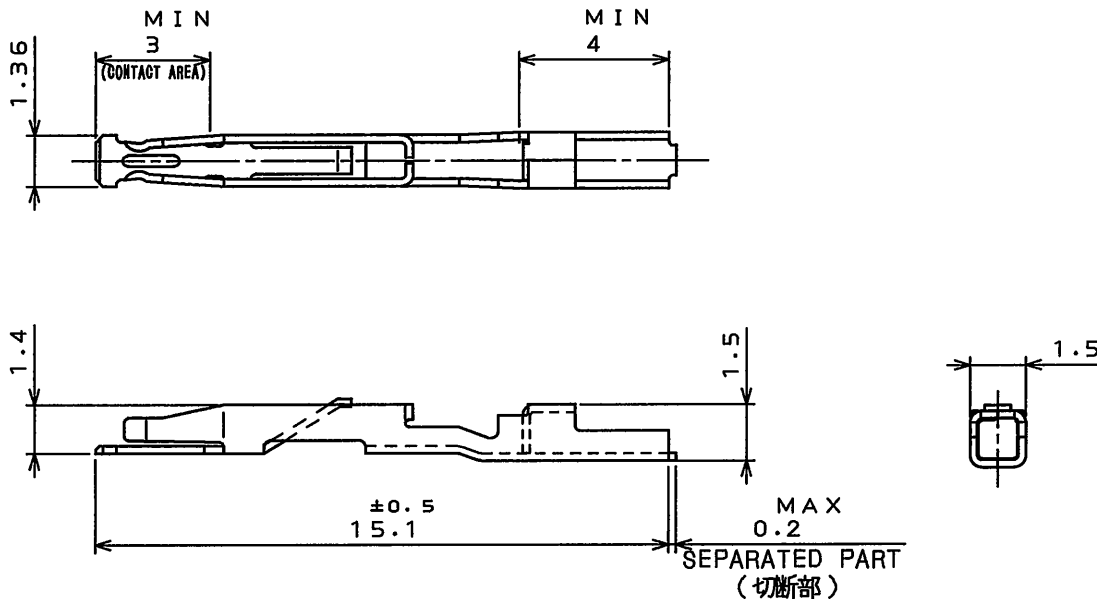
Contact us

Tel: +86-755-8981 8866 Fax: +86-755-8427 6832

Email & Skype: info@chipsmall.com Web: www.chipsmall.com

Address: A1208, Overseas Decoration Building, #122 Zhenhua RD., Futian, Shenzhen, China





【TABLE-1】

TITLE 名称	PIECE 区分	APPLICABLE WIRE 適用電線		PLATING THICKNESS OF Au IN CONTACT AREA 接触部の金メッキ厚
		WIRE SIZE 電線サイズ	OUTER DIAMETER 仕上外径	
JN1-22-22F-PKG10	10 CABLES 10本	AWG#20MAX	φ1.5 MAX	Au:0.1μm MIN
JN1-22-22F-PKG100	100 CABLES 100本			

符号 MQ.09855	名称 DESCRIPTION	個数 QTY.	材料 MATERIAL	仕上 FINISH	備考 REMARKS
仕様書(SPECIFICATION)		第1版(ORIGINAL DATE)	名称(TITLE)		日本航空電子工業株式会社 JAPAN AVIATION ELECTRONICS INDUSTRY, LTD. 図面番号(DRAWING NO.) SJ109855
公差(GENERAL TOLERANCE)		製図 DR.	JN1-22-22F -PKG***		
寸法(DIMENSION)		担当 CHK.	T.OKAMURA		
角度(ANGLES)		査閲 APPD.	承認 APPD. E. Matsumoto		
・ ±0.8	×° ±	承認 APPD.	シリーズ(SERIES)	尺度(SCALE)	版数 (REV.)
・X ±0.4	××' ±		JN1/JN2	5:1	1
・XX ±0.1					
・XXX ±					

DOF-0-211F(05.08)